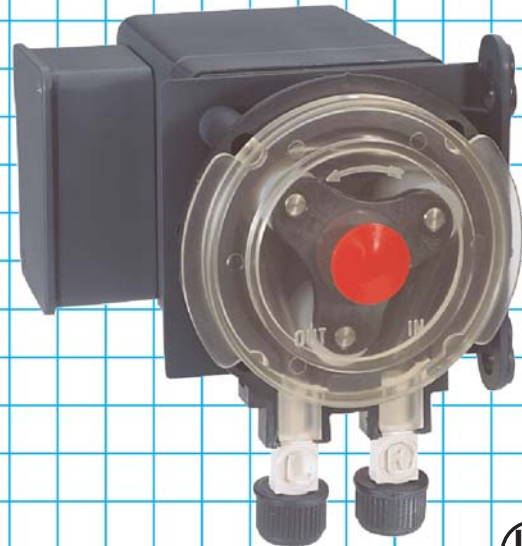


A-1600

Fixed Speed
No Output Control



Features:

- Peristaltic pump design does not have valves that can clog requiring maintenance.
- Self priming - even against maximum line pressure. By-pass valves are not required. Cannot vapor lock or lose prime.
- Outputs to 295 ml/min (112 GPD).
- Output pressures to 25 PSI.
- Output volume is not effected by changes in back pressure.
- Patented pump tube design installs easily and stays centered on the rollers without manual adjustment.
- Two pump tubes supplied with each pump. No extra tubing required.
- Includes visual flow indicator on the suction line tubing.
- No Output control.
- Durable housing of epoxy coated zinc metal.

Specifications:

Max. working pressure:25 psig (6.9 bar)	Enclosure:NEMA type 2, (IP21)
Max. fluid temperature:130° F (54° C)	Voltage (max amp):115VAC/60Hz = .74 amp
Max. ambient temperature:	...14° to 110° F/ -10° to 43° C	230VAC/60Hz = .36 amp
Output adjustment range:Not adjustable	220VAC/50Hz = .31 amp
Duty cycle:Continuous	24VAC/60Hz = 3.4 amp
Maximum viscosity:500 Centipoise	12V DC = 3.0 amp
Maximum suction lift:10 ft. Water 0 psig	Power Connection:Junction box for field wiring
Maximum Solids:50% by volume	Approximate shipping wt:	...8 lb. (3.6 kg)

Materials of Construction:

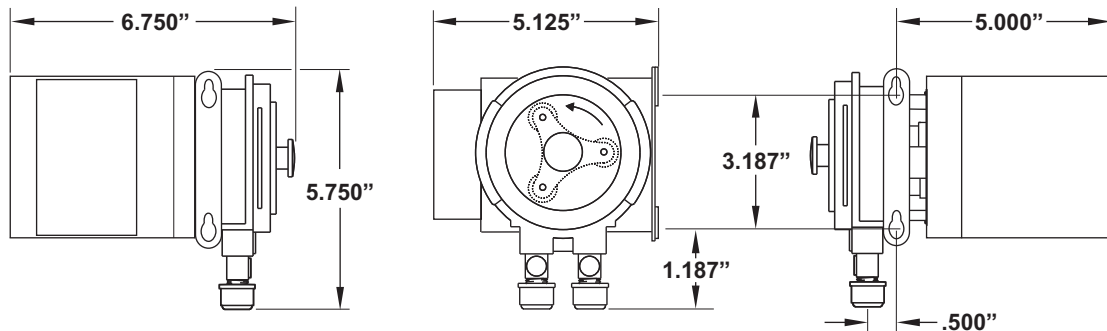
Wetted components:

Pump Tube Assembly:Norprene [®] or Tygon [®] tubing
PVC tube assembly connection fittings
Suction Tubing:Clear PVC
Flow indicator:Clear PVC body, glass ball
Suction Strainer:Natural Polypropylene
Weight:Ceramic
Discharge Tubing:Clear PVC
Injection/Check valve:	
Body & insert:Polypropylene (optional PVDF)
Check Ball:Ceramic
Spring:Hastelloy C-276
Ball Seat O-ring:TFE/P (optional EP)
Static Seal O-ring:Viton [®] (optional EP)

Non-Wetted components:

Pump Head:Glass reinforced Nylon
Pump Head Cover:Clear acrylic
Roller Assembly:	
Rotor:Valox [®] (PBT)
Rollers:Nylon
Roller Axle:316 Stainless Steel
Enclosure:Valox [®] (PBT) thermoplastic
Motor Shaft:Nickel plated steel

Dimensions:



Model Number Matrix:

MODEL A-16 - - -

Maximum Motor RPM

14 = 14 RPM
30 = 30 RPM
45 = 45 RPM

Pump Tube Size

3 = 3/16" OD
4 = 1/4" OD
6 = 3/8" OD
7 = 7/16" OD

Power Supply

115VAC = 115V60Hz
220VAC = 220V50Hz *
230VAC = 230V60Hz
24VAC = 24V60Hz
12VDC = 12V DC

Tubing Material

NONE = Tygon®
N = Norprene®

Maximum Flow rate and pressure capacities:

Tube no.	Tubing Material	14 RPM MODELS					30 RPM MODELS					45 RPM MODELS				
		ml/min	oz/min	gph	gpd	PSI	ml/min	oz/min	gph	gpd	PSI	ml/min	oz/min	gph	gpd	PSI
3	Tygon	3	0.1	0.04	1	25	11	0.3	0.17	4	25	14	0.4	0.22	5	25
3N	Norprene	3	0.1	0.04	1	25	11	0.3	0.17	4	25	14	0.4	0.22	5	25
4	Tygon	17	0.5	0.26	6	25	40	1.3	0.63	15	25	54	1.8	0.85	20	25
4N	Norprene	17	0.5	0.26	6	25	40	1.3	0.63	15	25	54	1.8	0.85	20	25
6	Tygon	60	2.0	0.95	22	25	130	4.4	2.05	49	25	195	6.5	3.08	74	25
6N	Norprene	49	1.6	0.77	18	25	107	3.6	1.69	40	25	160	5.4	2.53	60	25
7	Tygon	75	2.5	1.18	28	25	195	6.5	3.08	74	25	295	9.9	4.67	112	25
7N	Norprene	62	2.1	0.98	23	25	160	5.4	2.53	60	25	242	8.2	3.83	92	25

NOTE: 50Hz units deliver 20% less output.

Replacement Pump Tubes:

Pump Model Number Suffix	Pump Tube Part Number	Pump Tube Material	Nominal Pump Tube OD
-3	A-002-3	Tygon	3/16"
-3N	A-002-3N	Norprene	3/16"
-4	A-002-4	Tygon	1/4"
-4N	A-002-4N	Norprene	1/4"
-6	A-002-6	Tygon	3/8"
-6N	A-002-6N	Norprene	3/8"
-7	A-002-7	Tygon	7/16"
-7N	A-002-7N	Norprene	7/16"