



### FEATURES

- Easy to set-up, easy to use
- Weeks/months/years of data storage
- User-selected sampling interval
- Data retrieval with laptop computer
- Single data retrieval device serves multiple data loggers

### APPLICATIONS

- Water usage monitoring, reporting, and management
- Custody transfer regulation
- Peak demand monitoring



### GENERAL INFORMATION

The DL76 is a battery-powered data logger that can be used with any Seametrics flowmeter. It stores pulses for up to 3 years, depending on the user-selected frequency of reading. Indicator lights on the unit flash to indicate when it is functioning and when the battery is low.

The DL76 can be factory-mounted on the meter or remotely mounted. Housings are rugged cast aluminum, gasketed for environmental protection.

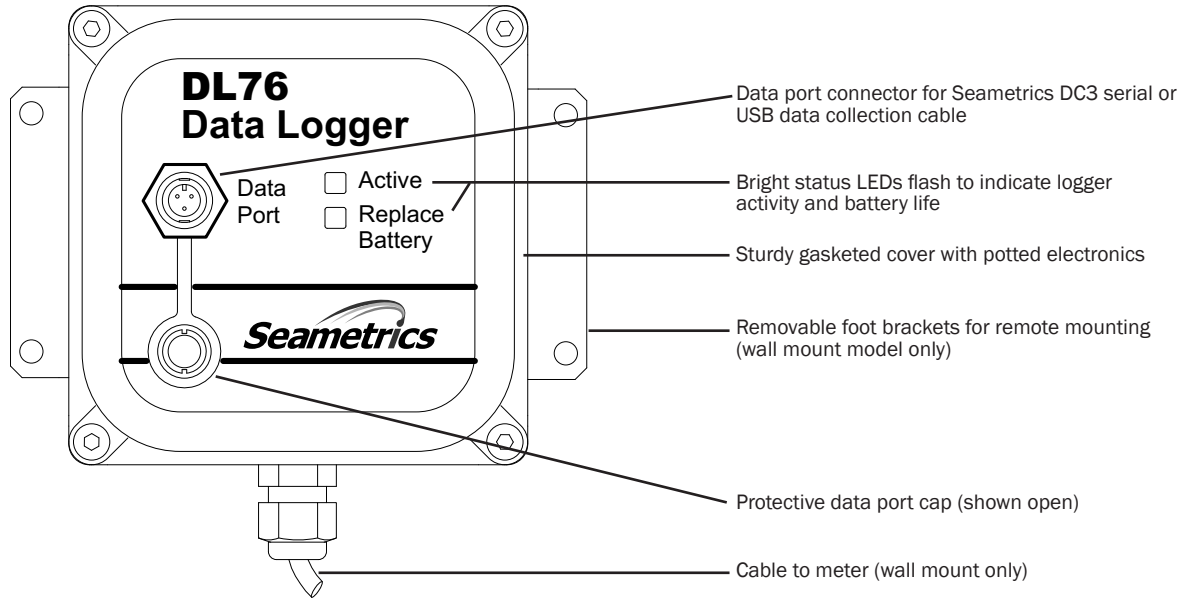
When a DL76 logger is placed into operation, it is easily set up using a laptop computer. Data is also retrieved from the

DL76 by means of a laptop and can be analyzed on the laptop or easily loaded on a desktop computer for analysis.

**\*FlowInspector version 2 software (ordered separately) is required** for the downloading, storing, viewing, graphing, charting and printing of data in several formats. FlowInspector requires a PC with Windows 98, NT, 2000, XP, Vista or Windows 7; CD-Rom drive; 800 x 600 screen resolution; serial port or USB/serial adapter; and a Seametrics DC3 data cable. FlowInspector can be used with an unlimited number of dataloggers.

\*Older versions of FlowInspector are not compatible with the DL76.

## FEATURES

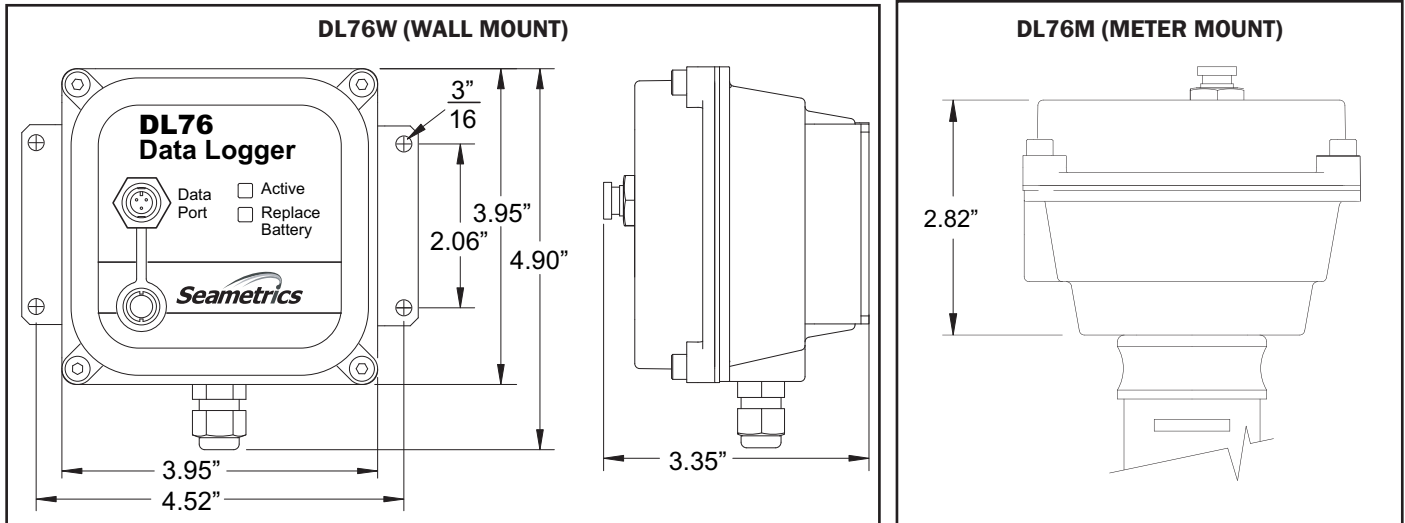


## SPECIFICATIONS\*

|  |   |   |                          |
|--|---|---|--------------------------|
| <b>Power</b>   | Size C 3.6 Vdc lithium battery (included)   |   |                          |
| <b>Battery Life</b>  | Estimated life is 3-5 years depending on usage.   |   |                          |
| <b>Temperature</b>   | 0° to 130° F (-18° to 54° C)  |   |                          |
| <b>Rate Units</b>  | <b>Volume</b>   | mL, liter, gallon, Imperial gallon, cubic foot, cubic meter, million gallon |                          |
|  | <b>Time</b>   | Seconds, minutes, hours, days   |                          |
| <b>Total Units</b>   | Liter, gallon, Imperial gallon, cubic foot, cubic meter, million gallon, acre-foot, acre-inch, megaliter, thousand-gallon |   |                          |
| <b>Data Storage Capacity</b><br><br>Example: If logging interval is every 480 seconds (8 min.) = 7.5 datapoints/hour = 180 datapoints/day. Therefore: for 365 days capacity is 65,700 datapoints/year. | <b>Capacity</b>   | <b>at</b>   | <b>Sampling Interval</b> |
|  | 11 days   | at  | 15 seconds               |
|  | 22 days   | at  | 30 seconds               |
|  | 44 days   | at  | 60 seconds               |
|  | 6 months  | at  | 240 seconds              |
|  | 1 year  | at  | 480 seconds              |
|  | 3 years   | at  | 1450 seconds             |
| <b>Maximum Input Frequency</b>   | 500 Hz  |   |                          |
| <b>Indicators</b>  | Low battery; Power  |   |                          |
| <b>Memory Wraparound</b>   | Selectable options (Stop or Overwrite) on 512KB Internal Memory   |   |                          |
| <b>Clock Accuracy</b>  | 10 minutes/month (.02%)   |   |                          |

\*Specifications subject to change • Please consult our website for current data ([www.Seametrics.com](http://www.Seametrics.com)).

## DIMENSIONS

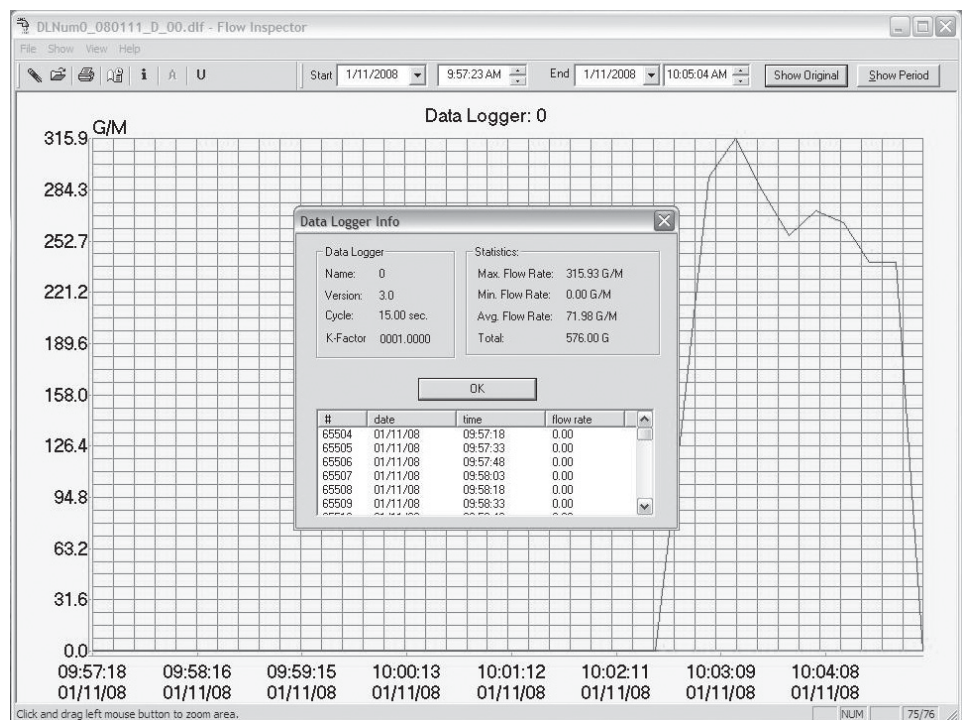


## FlowInspector™ SOFTWARE

**FlowInspector version 2 software (ordered separately) is required for setup and operation of the DL76**, including data retrieval (with a laptop computer), storage, and analysis. (NOTE: Older versions of FlowInspector are not compatible with the DL76.)

### FlowInspector Capabilities:

- Manage multiple loggers
- Record up to 3 years of data (depending on sampling interval)
- View current rate and total
- Download files to laptop
- Download files stored on the laptop
- Display flow information as a graph
- Display average and maximum/minimum flow rate for any selected time period
- Zoom in to graph any time period
- Show daily flow totals in table format
- Append multiple files
- Print graphs and tables
- Export data to an Excel spreadsheet (.csv) or simple text (.txt) file



## HOW TO ORDER

| MODEL                     | MOUNTING  | SOFTWARE         |
|---------------------------|---|------------------|
| Data Logger = <b>DL76</b> | Wall mount = <b>W</b><br>Meter mount = <b>See appropriate meter specification to order meter mounted units.</b> | FI-SW Version 2* |
| <b>DL76</b>               |   |                  |

---

**ACCESSORIES**  
Data Logger Serial Cable for Laptop = **DC3**  
Data Logger USB Cable for Laptop = **DC3-USB**

**NOTE:** If the DC3 Serial Cable is used with a laptop configured with a USB port, a serial-to-USB converter cable is required.  
**NOTE:** FlowInspector software is provided at no charge but must be ordered as a separate line item.

\*FlowInspector software is also available for download at: [www.seametrics.com/downloads](http://www.seametrics.com/downloads)

## CONTACT YOUR SUPPLIER