



**MATERIALS OF CONSTRUCTION:**  
PVC, POLYPROPYLENE, POLYESTER

**Capacity:** N/A Gallons  
**Max Temp.:** 180 F  
**Max Press.:** N/A PSI  
**Weight:** 3 Lbs.  
**Voltage.:** x VAC x Phs x Hz  
**FLA.:** x amps

20	x	x
19	x	x
18	x	x
17	x	x
16	x	x
15	x	x
14	x	x
13	x	x
12	x	x
11	x	x
10	x	x
9	x	x
8	x	x
7	x	x
6	x	x
5	x	x
4	x	x
3	x	x
2	x	x
1	x	x

#	PART	DESCRIPTION
F	x	xx/xx/xx
E	x	xx/xx/xx
D	x	xx/xx/xx
C	x	xx/xx/xx
B	x	xx/xx/xx

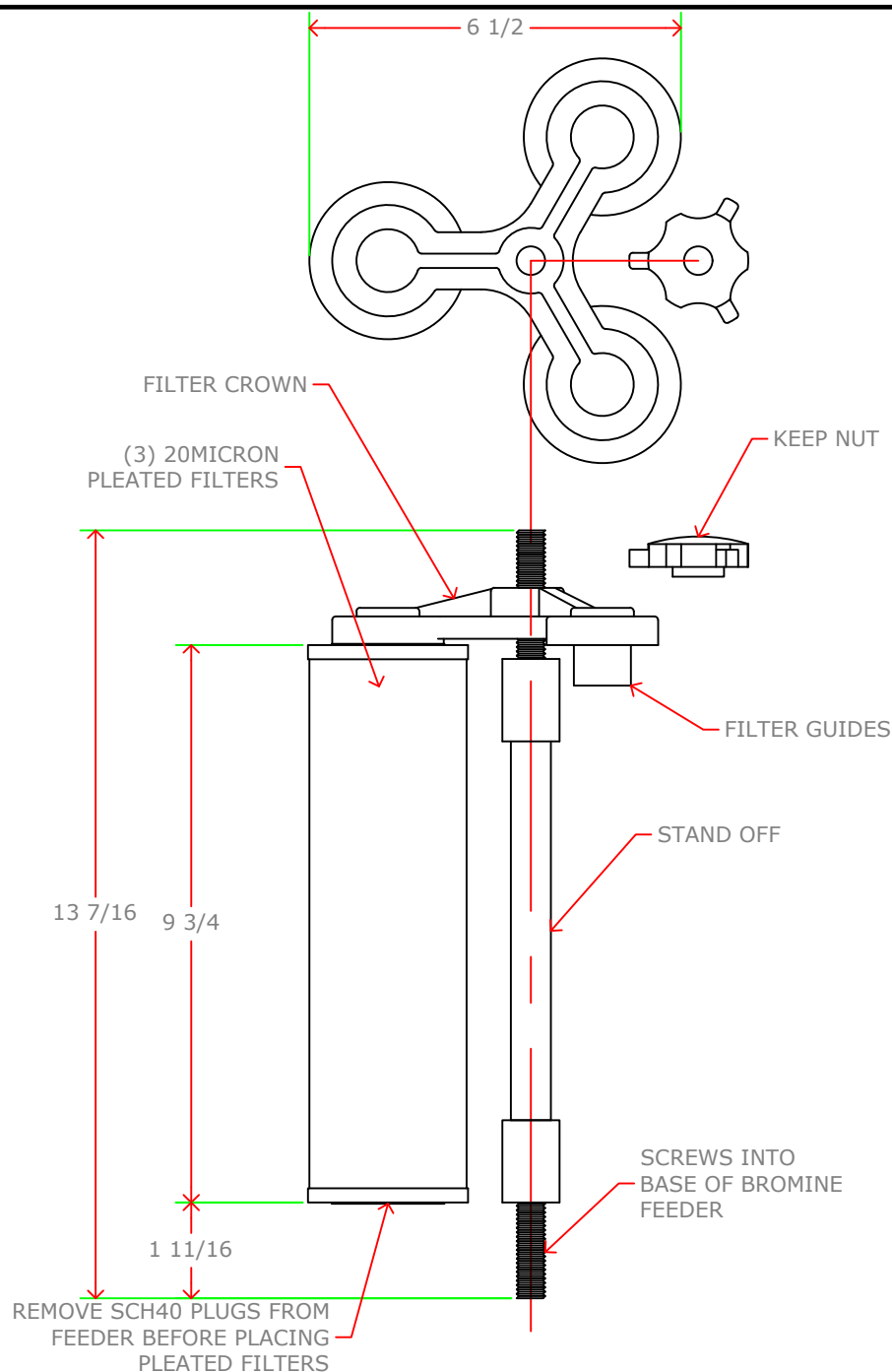
REV	DESCRIPTION	DATE

General Treatment Products, Inc.  
 PO Box 8697, Brea, CA 92822  
 Phone: 714) 257-9165 <http://www.gtpcompany.com>  
 Fax: 714) 257-9215 [customerservice@gtpcompany.com](mailto:customerservice@gtpcompany.com)

Date: 1/1/17 Scale: NTS Rev.: A

Description:  
BROMINE FEEDER FILTER MANIFOLD

Model:  
PF203





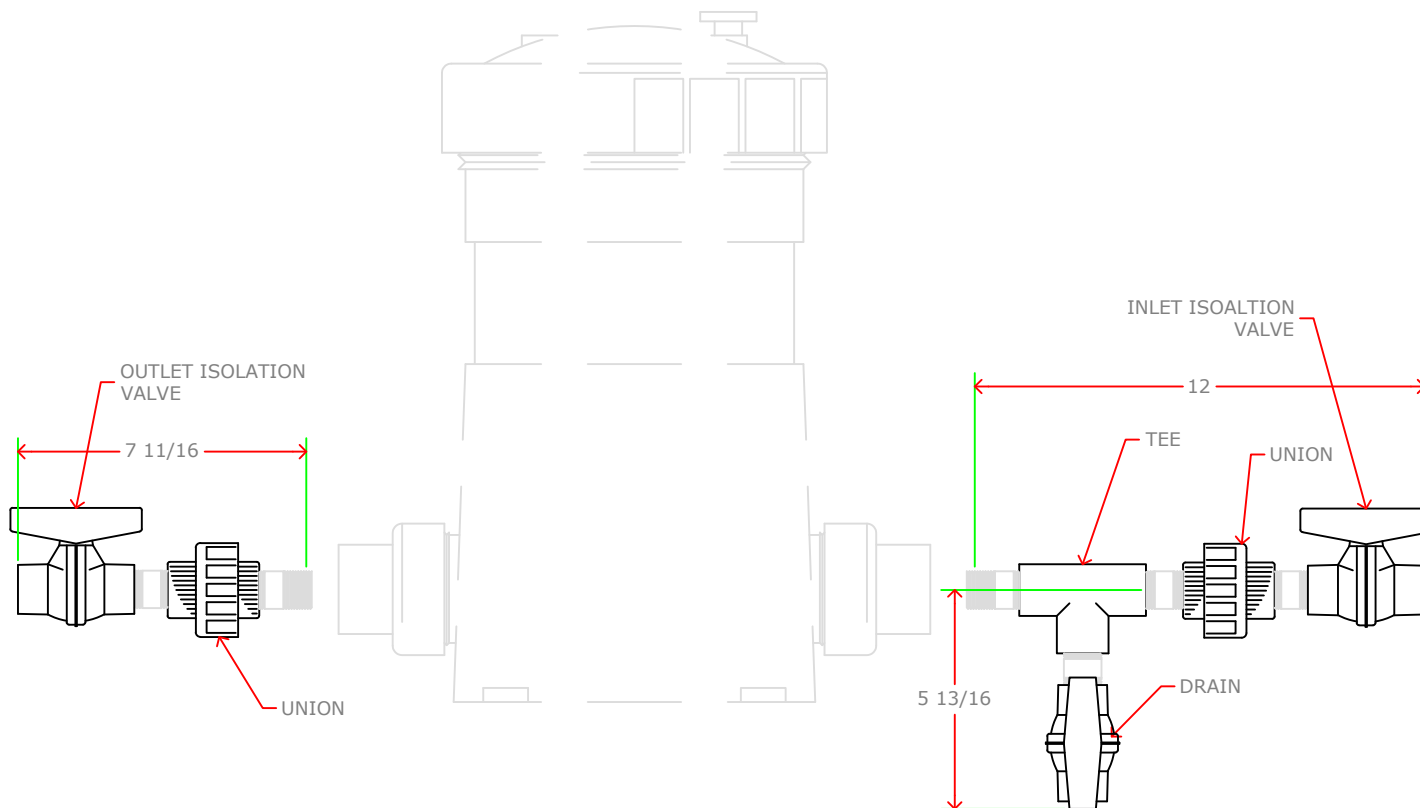
**MATERIALS OF CONSTRUCTION:**  
PVC, TEFLON, VITON

**Capacity:** N/A Gallons

**Max Temp.:** 85 F

**Max Press.:** 100 PSI

**Weight:** 5 Lbs.



20	x	x
19	x	x
18	x	x
17	x	x
16	x	x
15	x	x
14	x	x
13	x	x
12	x	x
11	x	x
10	x	x
9	x	x
8	x	x
7	x	x
6	x	x
5	x	x
4	x	x
3	x	x
2	x	x
1	x	x

#	PART	DESCRIPTION
F	x	xx/xx/xx
E	x	xx/xx/xx
D	x	xx/xx/xx
C	x	xx/xx/xx
B	x	xx/xx/xx

REV	DESCRIPTION	DATE
-----	-------------	------

General Treatment Products, Inc.  
PO Box 8697, Brea, CA 92822  
Phone: 714) 257-9165 <http://www.gtpcompany.com>  
Fax: 714) 257-9215 [customerservice@gtpcompany.com](mailto:customerservice@gtpcompany.com)

Date: 1/1/12 Scale: NTS Rev.: A

Description:  
PVC BROMINE VALVE PACKAGE

Model:  
VPBR