

MATERIALS OF CONSTRUCTION:
PVC, POLYPROPYLENE, VITON

Capacity: 2.3 Gallons

Max Temp.: 85 F

Max Press.: 70 PSI

Weight: x Lbs.

20	x	x
19	x	x
18	x	x
17	x	x
16	x	x
15	x	x
14	x	x
13	x	x
12	x	x
11	x	x
10	x	x
9	x	x
8	x	x
7	x	x
6	x	x
5	x	x
4	x	x
3	x	x
2	x	x
1	x	x

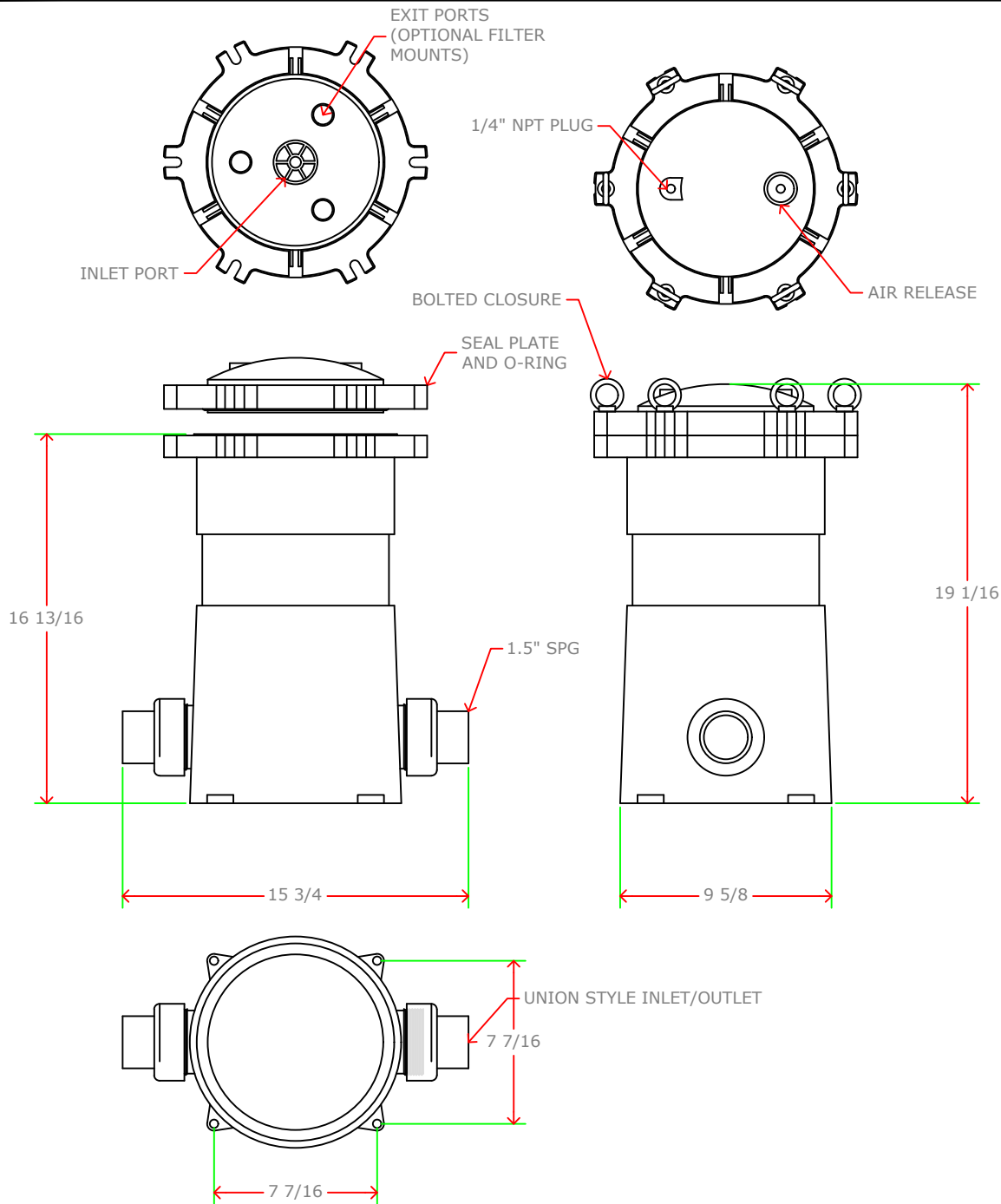
#	PART	DESCRIPTION
F	x	xx/xx/xx
E	x	xx/xx/xx
D	x	xx/xx/xx
C	x	xx/xx/xx
B	x	xx/xx/xx
REV	DESCRIPTION	DATE

General Treatment Products, Inc.
PO Box 8697, Brea, CA 92822
Phone: 714) 257-9165 <http://www.gtpcompany.com>
Fax: 714) 257-9215 customerservice@gtpcompany.com

Date: 10/10/2015 Scale: NTS Rev.: A

Description:
PVC BROMINE FEEDER

Model:
BR20



MATERIALS OF CONSTRUCTION:
 PVC, POLYPROPYLENE, VITON

Capacity: 2.3 Gallons
Max Temp.: 85 F
Max Press.: 100 PSI
Weight: x Lbs.

20	x	x
19	x	x
18	x	x
17	x	x
16	x	x
15	x	x
14	x	x
13	x	x
12	x	x
11	x	x
10	x	x
9	x	x
8	x	x
7	x	x
6	x	x
5	x	x
4	x	x
3	x	x
2	x	x
1	x	x

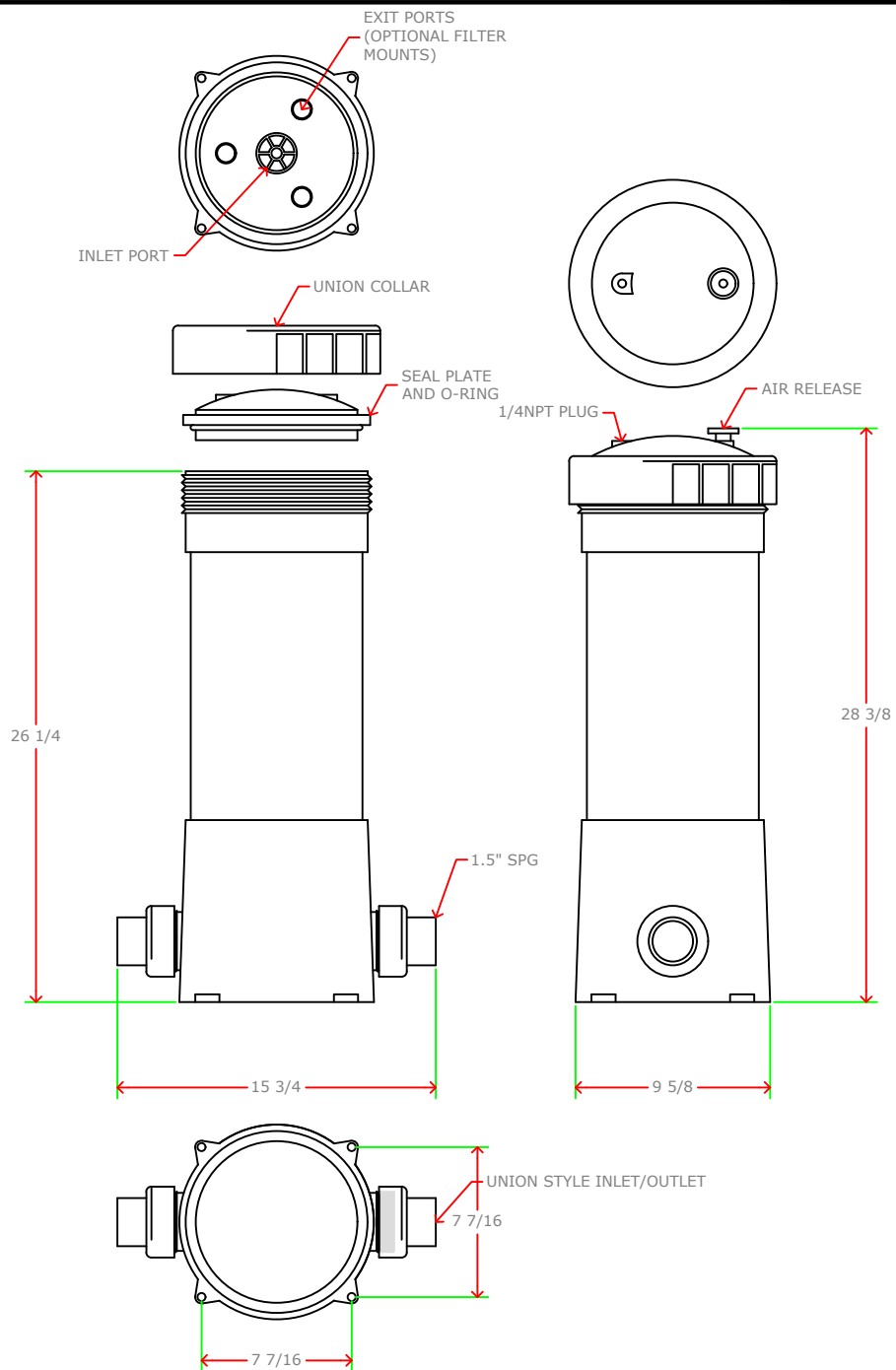
#	PART	DESCRIPTION
F	x	xx/xx/xx
E	x	xx/xx/xx
D	x	xx/xx/xx
C	x	xx/xx/xx
B	x	xx/xx/xx

REV DESCRIPTION DATE

General Treatment Products, Inc.
 PO Box 8697, Brea, CA 92822
 Phone: 714) 257-9165 <http://www.gtpcompany.com>
 Fax: 714) 257-9215 customerservice@gtpcompany.com

Date: 10/10/2015 Scale: NTS Rev.: A
 Description: PVC BROMINE FEEDER
 Model: BR20HP

NOTICE: This drawing and its contents are for the specific use of GTP customers only. It is not to be duplicated or copied without expressed written consent of General Treatment Products, Inc. We reserve the right to modify this drawing without notice.



MATERIALS OF CONSTRUCTION:
PVC, POLYPROPYLENE, VITON

Capacity: 4.6 Gallons

Max Temp.: 85 F

Max Press.: 70 PSI

Weight: x Lbs.

20	x	x
19	x	x
18	x	x
17	x	x
16	x	x
15	x	x
14	x	x
13	x	x
12	x	x
11	x	x
10	x	x
9	x	x
8	x	x
7	x	x
6	x	x
5	x	x
4	x	x
3	x	x
2	x	x
1	x	x

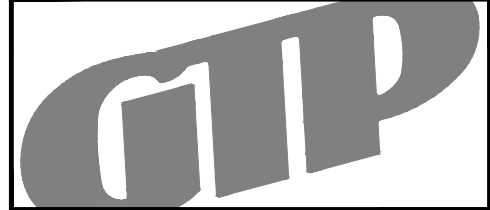
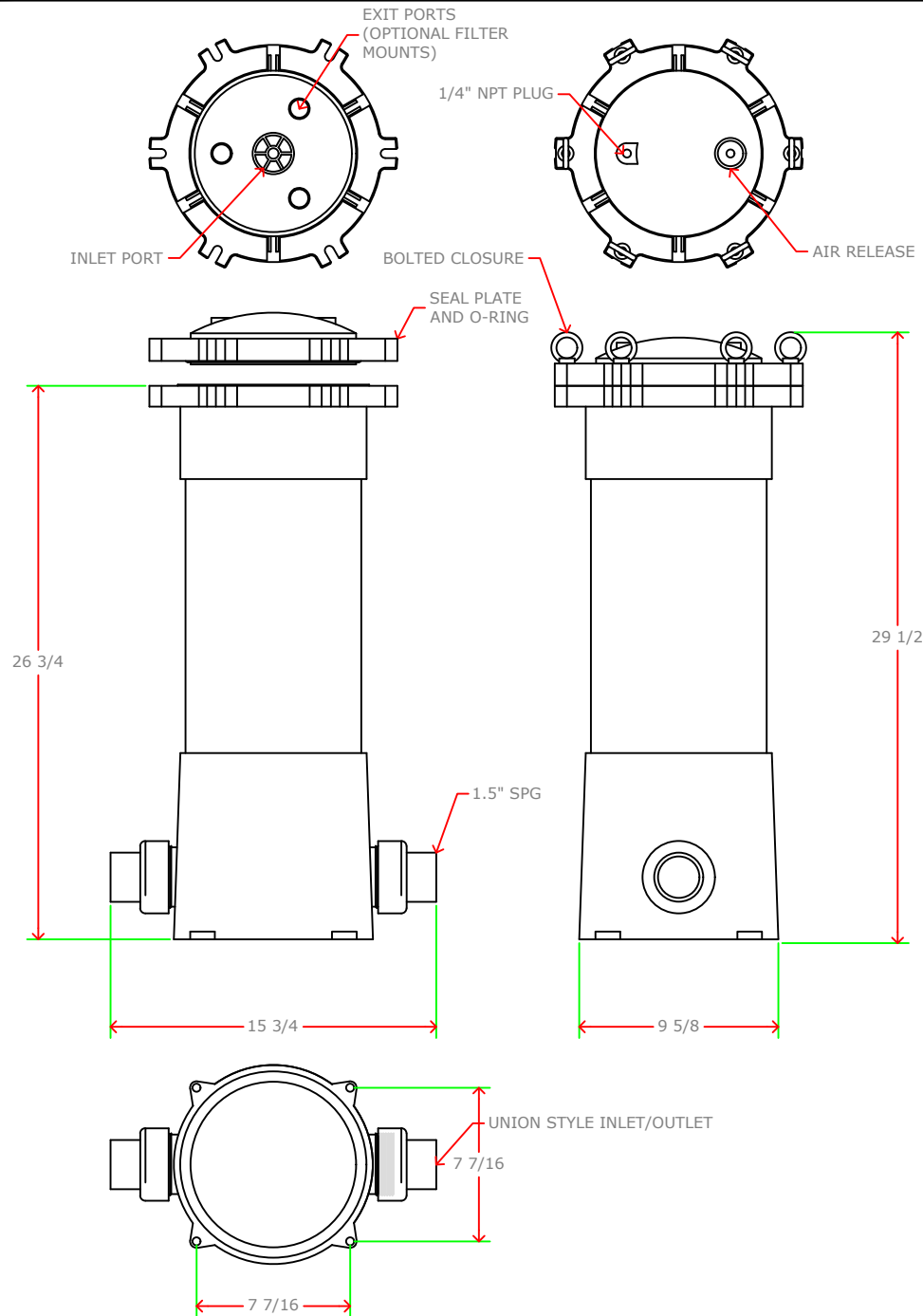
#	PART	DESCRIPTION
F	x	xx/xx/xx
E	x	xx/xx/xx
D	x	xx/xx/xx
C	x	xx/xx/xx
B	x	xx/xx/xx
REV	DESCRIPTION	DATE

General Treatment Products, Inc.
PO Box 8697, Brea, CA 92822
Phone: 714) 257-9165 <http://www.gtpcompany.com>
Fax: 714) 257-9215 customerservice@gtpcompany.com

Date: 10/10/2015 Scale: NTS Rev.: A

Description:
PVC BROMINE FEEDER

Model:
BR40



MATERIALS OF CONSTRUCTION:
PVC, POLYPROPYLENE, VITON

Capacity: 4.6 Gallons
Max Temp.: 85 F
Max Press.: 100 PSI
Weight: x Lbs.

20	x	x
19	x	x
18	x	x
17	x	x
16	x	x
15	x	x
14	x	x
13	x	x
12	x	x
11	x	x
10	x	x
9	x	x
8	x	x
7	x	x
6	x	x
5	x	x
4	x	x
3	x	x
2	x	x
1	x	x

#	PART	DESCRIPTION
F	x	xx/xx/xx
E	x	xx/xx/xx
D	x	xx/xx/xx
C	x	xx/xx/xx
B	x	xx/xx/xx
REV	DESCRIPTION	DATE

General Treatment Products, Inc.
 PO Box 8697, Brea, CA 92822
 Phone: 714) 257-9165 <http://www.gtpcompany.com>
 Fax: 714) 257-9215 customerservice@gtpcompany.com

Date: 10/10/2015 Scale: NTS Rev.: A

Description:
PVC BROMINE FEEDER

Model:
BR40HP



MATERIALS OF CONSTRUCTION:
PVC, POLYPROPYLENE, POLYESTER

Capacity: N/A Gallons
Max Temp.: 180 F
Max Press.: N/A PSI
Weight: 3 Lbs.
Voltage.: x VAC x Phs x Hz
FLA.: x amps

20	x	x
19	x	x
18	x	x
17	x	x
16	x	x
15	x	x
14	x	x
13	x	x
12	x	x
11	x	x
10	x	x
9	x	x
8	x	x
7	x	x
6	x	x
5	x	x
4	x	x
3	x	x
2	x	x
1	x	x

#	PART	DESCRIPTION
F	x	xx/xx/xx
E	x	xx/xx/xx
D	x	xx/xx/xx
C	x	xx/xx/xx
B	x	xx/xx/xx

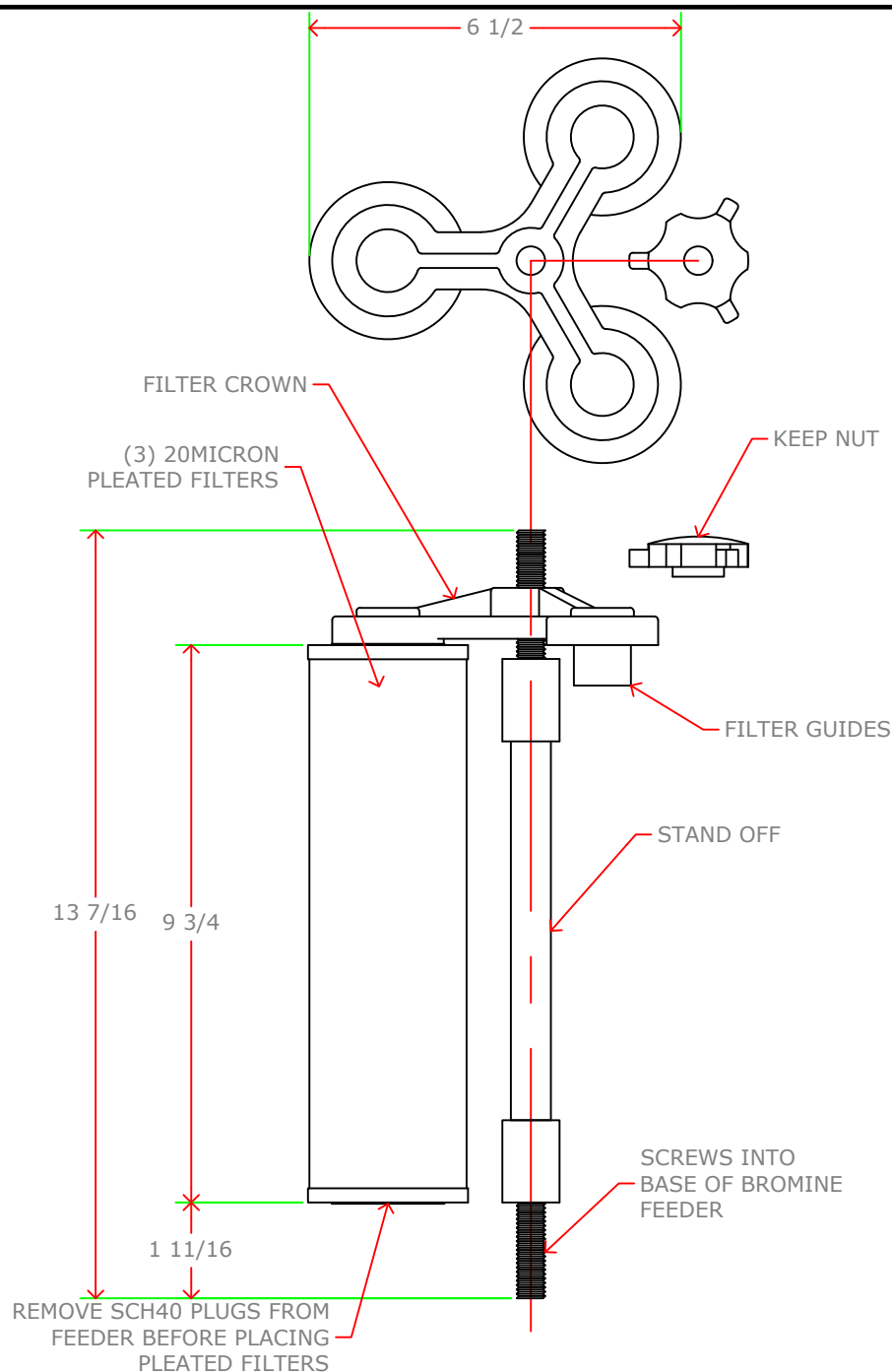
REV	DESCRIPTION	DATE
-----	-------------	------

General Treatment Products, Inc.
 PO Box 8697, Brea, CA 92822
 Phone: 714) 257-9165 <http://www.gtpcompany.com>
 Fax: 714) 257-9215 customerservice@gtpcompany.com

Date: 1/1/17 Scale: NTS Rev.: A

Description:
BROMINE FEEDER FILTER MANIFOLD

Model:
PF203





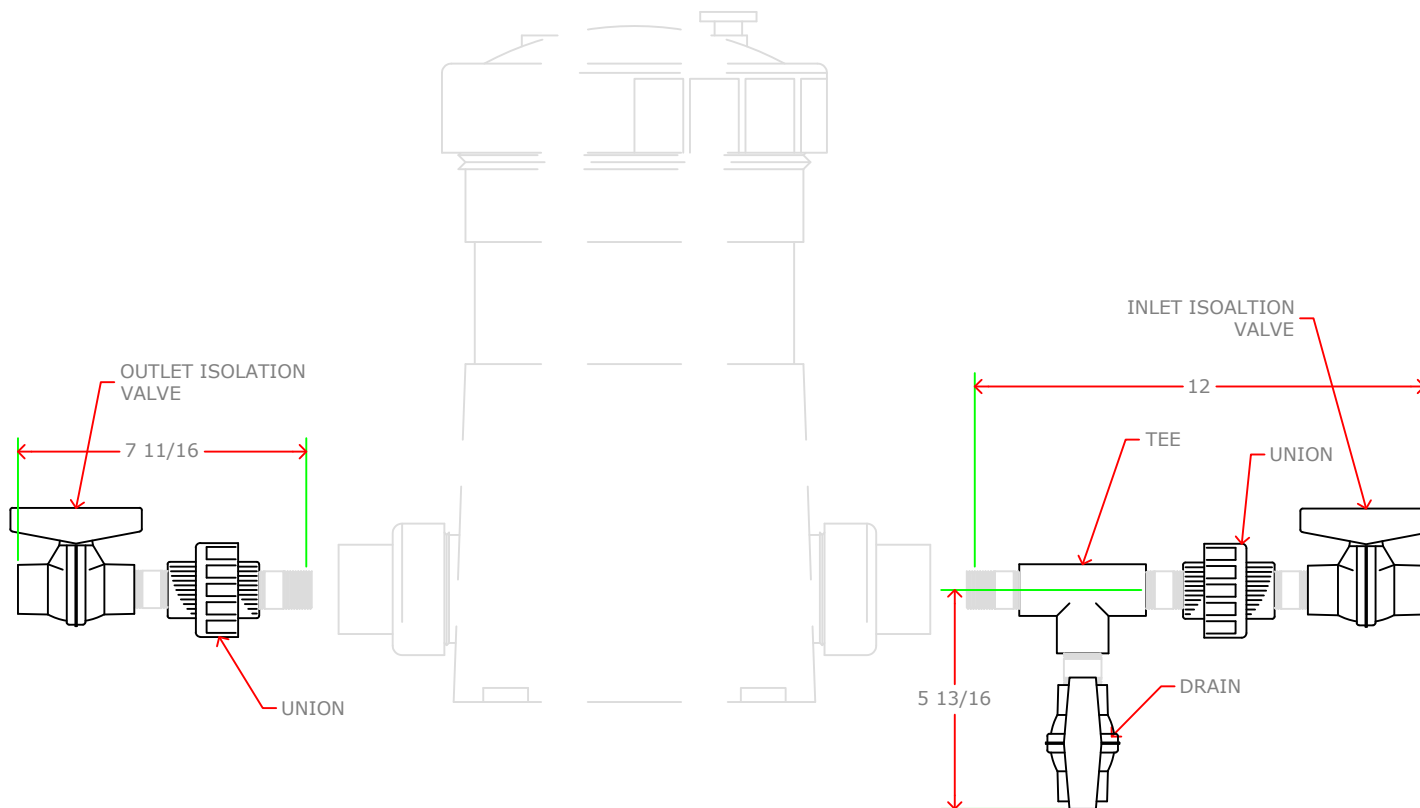
MATERIALS OF CONSTRUCTION:
PVC, TEFLON, VITON

Capacity: N/A Gallons

Max Temp.: 85 F

Max Press.: 100 PSI

Weight: 5 Lbs.



20	x	x
19	x	x
18	x	x
17	x	x
16	x	x
15	x	x
14	x	x
13	x	x
12	x	x
11	x	x
10	x	x
9	x	x
8	x	x
7	x	x
6	x	x
5	x	x
4	x	x
3	x	x
2	x	x
1	x	x

#	PART	DESCRIPTION
F	x	xx/xx/xx
E	x	xx/xx/xx
D	x	xx/xx/xx
C	x	xx/xx/xx
B	x	xx/xx/xx

REV	DESCRIPTION	DATE
-----	-------------	------

General Treatment Products, Inc.
PO Box 8697, Brea, CA 92822
Phone: 714) 257-9165 <http://www.gtpcompany.com>
Fax: 714) 257-9215 customerservice@gtpcompany.com

Date: 1/1/12 Scale: NTS Rev.: A

Description:
PVC BROMINE VALVE PACKAGE

Model:
VPBR