

MATERIALS OF CONSTRUCTION:
1/4" LD ARMY GREEN POLYETHYLENE

Capacity:	NA	Gallons				
Max Temp.:	85	F				
Max Press.:	0	PSI				
Weight:	15	Lbs.				
Voltage.:	x	VAC	x	Phs	x	Hz
FLA.:	x	amps				

20	x	x
19	x	x
18	x	x
17	x	x
16	x	x
15	x	x
14	x	x
13	x	x
12	x	x
11	x	x
10	x	x
9	x	x
8	x	x
7	x	x
6	x	x
5	x	x
4	x	x
3	x	x
2	x	x
1	x	x

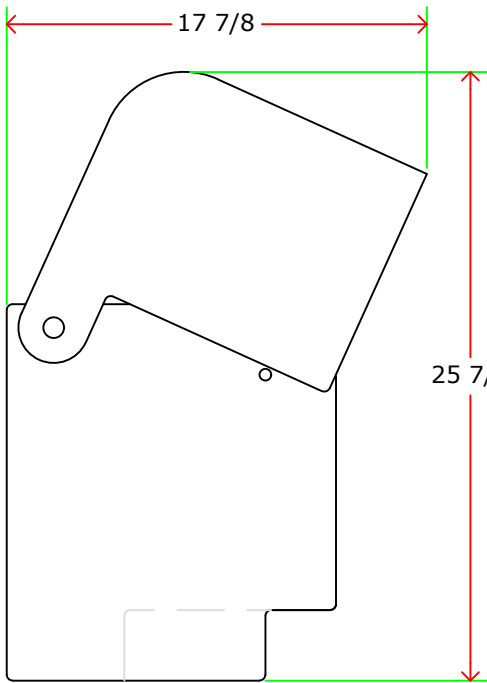
#	PART	DESCRIPTION
F	x	xx/xx/xx
E	x	xx/xx/xx
D	x	xx/xx/xx
C	x	xx/xx/xx
B	x	xx/xx/xx
REV	DESCRIPTION	DATE

General Treatment Products, Inc.
PO Box 8697, Brea, CA 92822
Phone: 714) 257-9165 <http://www.gtpcompany.com>
Fax: 714) 257-9215 customerservice@gtpcompany.com

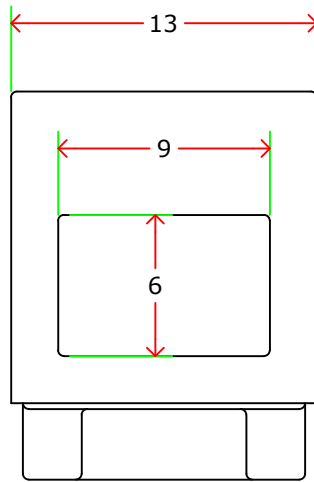
Date: 5/1/16 Scale: NTS Rev.: A

Description:
POLY CUBE WALL MOUNT COVER

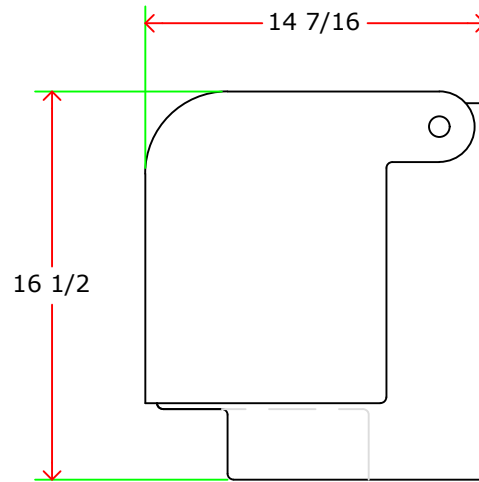
Model:
CF-PC



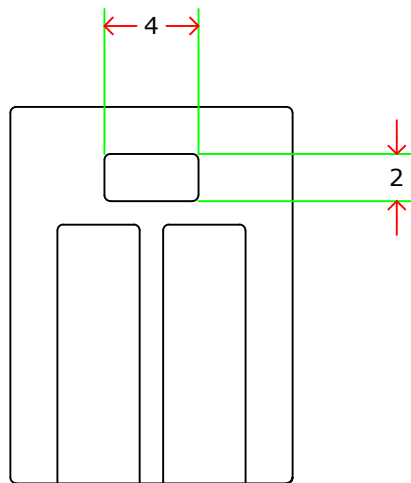
LID OPEN VIEW



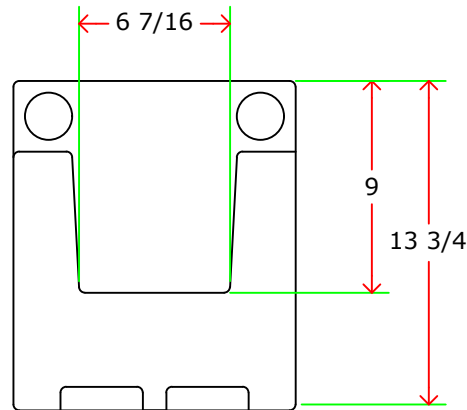
FRONT VIEW



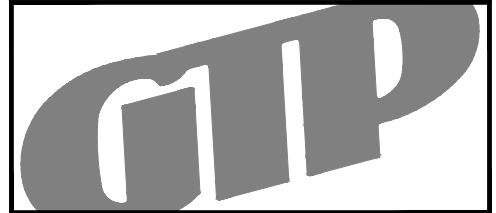
SIDE VIEW



BACK VIEW



BOTTOM VIEW



MATERIALS OF CONSTRUCTION:
POLYETHYLENE, POLYPROPYLENE, LEXAN

Capacity:	x	Gallons				
Max Temp.:	x	F				
Max Press.:	x	PSI				
Weight:	x	Lbs.				
Voltage.:	x	VAC	x	Phs	x	Hz
FLA.:	x	amps				

20	x	x
19	x	x
18	x	x
17	x	x
16	x	x
15	x	x
14	x	x
13	x	x
12	x	x
11	x	x
10	x	x
9	x	x
8	x	x
7	x	x
6	x	x
5	x	x
4	x	x
3	x	x
2	x	x
1	x	x

#	PART	DESCRIPTION
F	x	xx/xx/xx
E	x	xx/xx/xx
D	x	xx/xx/xx
C	x	xx/xx/xx
B	x	xx/xx/xx

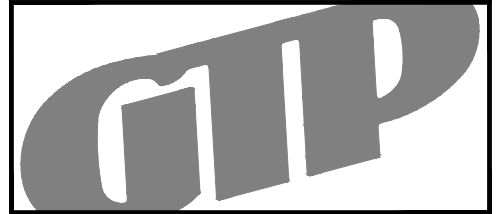
REV	DESCRIPTION	DATE
-----	-------------	------

General Treatment Products, Inc.
PO Box 8697, Brea, CA 92822
Phone: 714) 257-9165 <http://www.gtpcompany.com>
Fax: 714) 257-9215 customerservice@gtpcompany.com

Date: 02/01/14 Scale: NTS Rev.: A

Description:
POLY CUBE, SINGLE ENCLOSURE

Model:
CF-PC1



MATERIALS OF CONSTRUCTION:
POLYETHYLENE, POLYPROPYLENE, LEXAN

Capacity:	x	Gallons				
Max Temp.:	x	F				
Max Press.:	x	PSI				
Weight:	x	Lbs.				
Voltage.:	x	VAC	x	Phs	x	Hz
FLA.:	x	amps				

20	x	x
19	x	x
18	x	x
17	x	x
16	x	x
15	x	x
14	x	x
13	x	x
12	x	x
11	x	x
10	x	x
9	x	x
8	x	x
7	x	x
6	x	x
5	x	x
4	x	x
3	x	x
2	x	x
1	x	x

#	PART	DESCRIPTION
F	x	xx/xx/xx
E	x	xx/xx/xx
D	x	xx/xx/xx
C	x	xx/xx/xx
B	x	xx/xx/xx

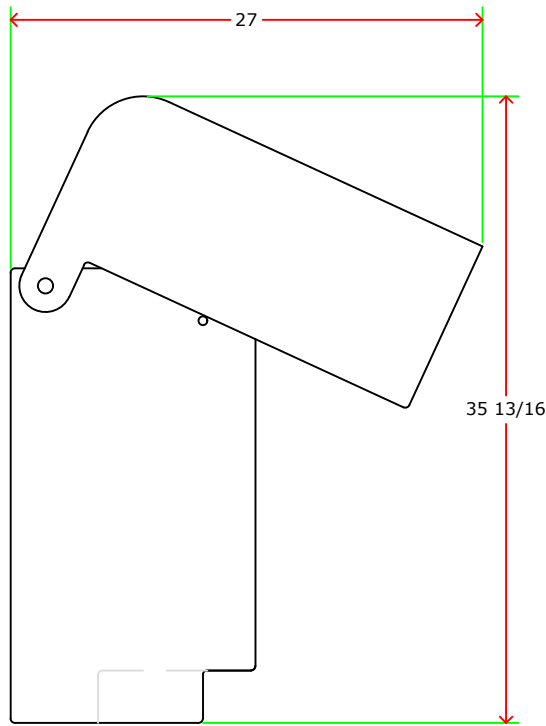
REV	DESCRIPTION	DATE
-----	-------------	------

General Treatment Products, Inc.
PO Box 8697, Brea, CA 92822
Phone: 714) 257-9165 <http://www.gtpcompany.com>
Fax: 714) 257-9215 customerservice@gtpcompany.com

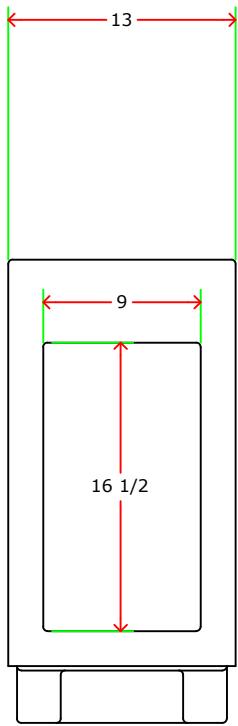
Date: 02/01/14 Scale: NTS Rev.: A

Description:
POLY CUBE, DUAL ENCLOSURE

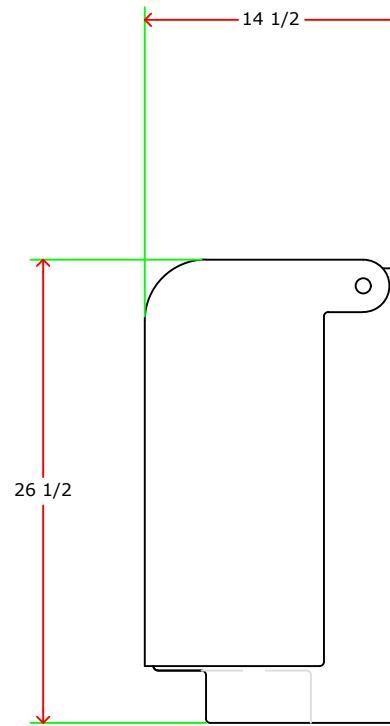
Model:
CF-PC2



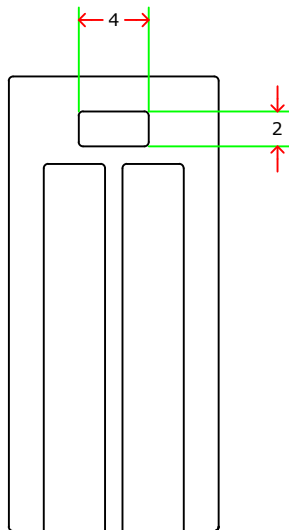
LID OPEN VIEW



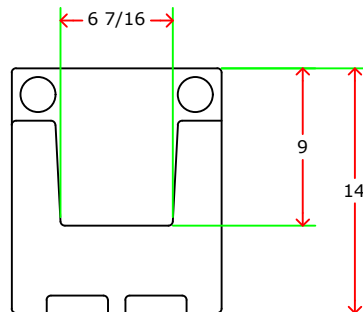
FRONT LID VIEW



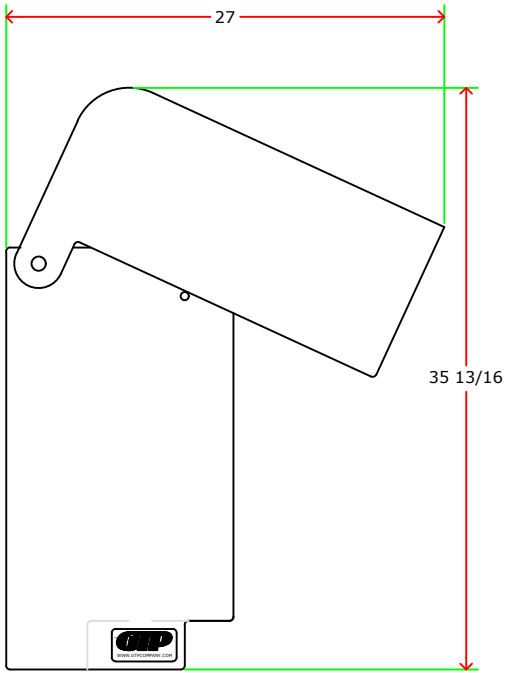
SIDE LID VIEW



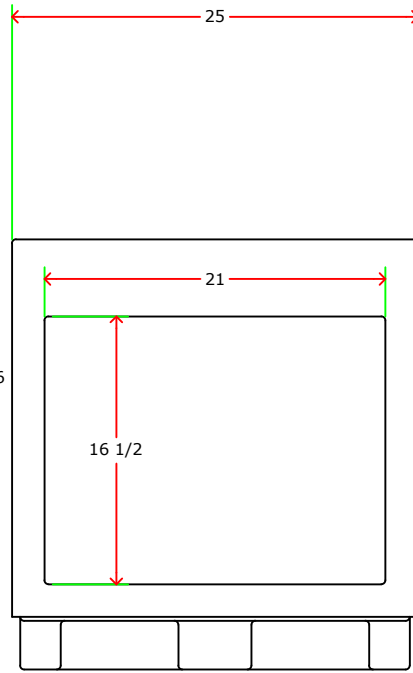
BACK VIEW



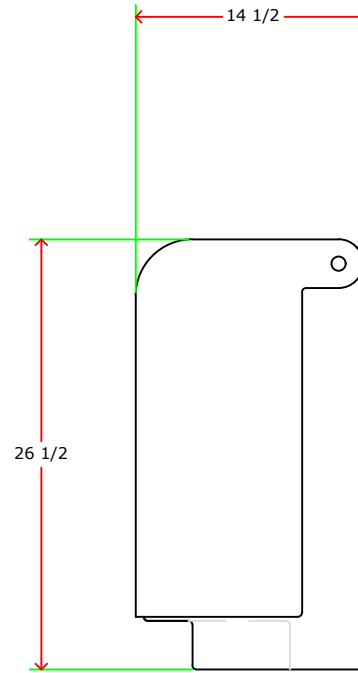
BOTTOM VIEW



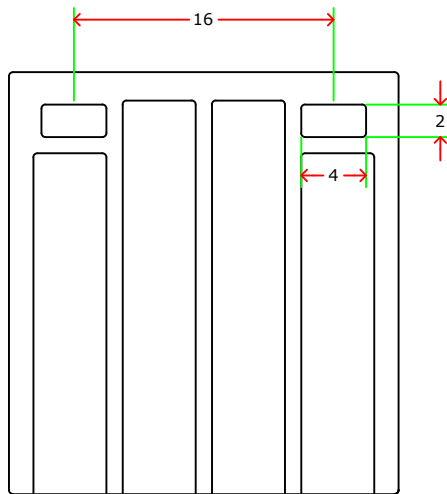
LID OPEN VIEW



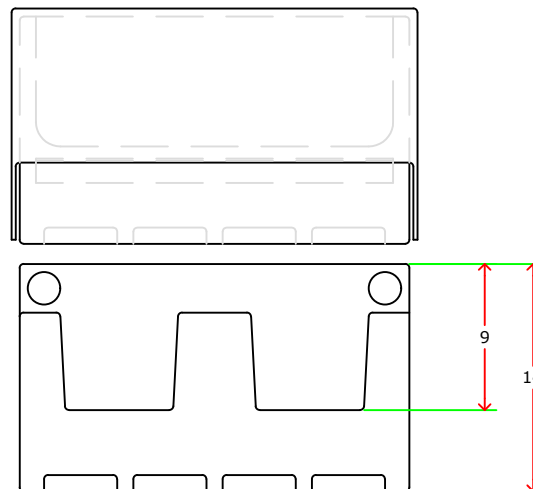
FRONT LID VIEW



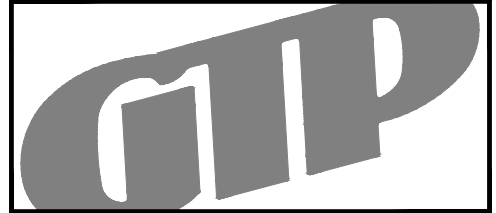
SIDE LID VIEW



BACK VIEW



BOTTOM VIEW



MATERIALS OF CONSTRUCTION:
POLYETHYLENE, POLYPROPYLENE, LEXAN

Capacity:	x	Gallons				
Max Temp.:	x	F				
Max Press.:	x	PSI				
Weight:	x	Lbs.				
Voltage.:	x	VAC	x	Phs	x	Hz
FLA.:	x	amps				

20	x	x
19	x	x
18	x	x
17	x	x
16	x	x
15	x	x
14	x	x
13	x	x
12	x	x
11	x	x
10	x	x
9	x	x
8	x	x
7	x	x
6	x	x
5	x	x
4	x	x
3	x	x
2	x	x
1	x	x

#	PART	DESCRIPTION
F	x	xx/xx/xx
E	x	xx/xx/xx
D	x	xx/xx/xx
C	x	xx/xx/xx
B	x	xx/xx/xx
REV	DESCRIPTION	DATE

General Treatment Products, Inc.
PO Box 8697, Brea, CA 92822
Phone: 714) 257-9165 <http://www.gtpcompany.com>
Fax: 714) 257-9215 customerservice@gtpcompany.com

Date: 02/01/14 Scale: NTS Rev.: A

Description:
POLY CUBE, DUAL LARGE ENCLOSURE

Model:
CF-PC2A