

Left Hand

Right Hand

**Specifications:**

Control Mount Bracket comes complete with stainless steel tank mounting hardware and stainless steel controller mounting hardware. CMB can be factory pre-drilled for controller specified. Designed in "L" Left hand and "R" Right hand mount style.

**Materials of Construction:**

Polypropylene and 18-8 Stainless Steel

**Voltage:** N/A

**Max. Temp.:** 85 °F

**Max. Press:** N/A PSI

**Weight:** 3 LBS

12	X	X
11	X	X
10	X	X
9	X	X
8	X	X
7	X	X
6	X	X
5	X	X
4	X	X
3	X	X
2	X	X
1	X	X

#	Part	Description
---	------	-------------



Phone: 714-257-9165  
 Fax: 714-257-9215  
[www.gtpcompany.com](http://www.gtpcompany.com)

**Drwn By:** JC  
**Date:** 12/1/10  
**Scale:** NTS  
**Rev:** A

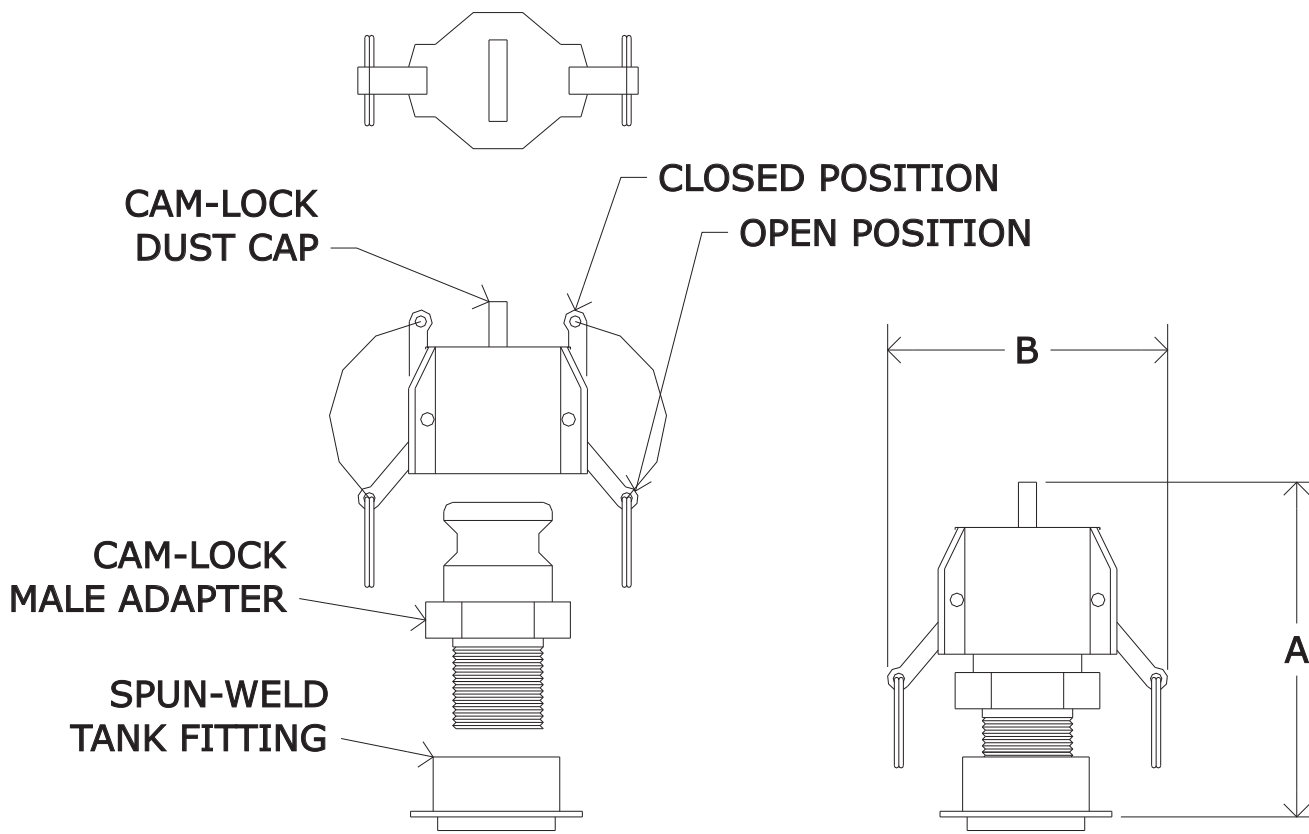
**Related Items:**  
 X

Rev.	Description	Date
D	X	X
C	X	X
B	X	X

**Notes:**  
 1)

**Notice**  
 This drawing and its content are for the specific use of GTP customers only. It is not to be duplicated or copied without expressed written content of General Treatment Products, Inc. We Reserve the right to modify this drawing with out notice.

**Description:**  
 Control Mount Bracket (Left and Right)  
**Model:**  
 CMB-L or CMB-R



**Specifications:**  
 Delivery "Cam-Lock" Fitting complete with factory installed spun-weld fitting, "Cam-Lock" male adapter and dust cap.

**Materials of Construction:**  
 Polypropylene and Polyethylene

<b>Voltage:</b>	N/A
<b>Max. Temp.:</b>	85 °F
<b>Max. Press:</b>	N/A PSI
<b>Weight:</b>	15 LBS

<b>12</b>	X	X
<b>11</b>	X	X
<b>10</b>	X	X
<b>9</b>	X	X
<b>8</b>	X	X
<b>7</b>	X	X
<b>6</b>	X	X
<b>5</b>	X	X
<b>4</b>	X	X
<b>3</b>	X	X
<b>2</b>	X	X
<b>1</b>	X	X
<b>#</b>	<b>Part</b>	<b>Description</b>

Phone: 714-257-9165  
 Fax: 714-257-9215  
[www.gtpcompany.com](http://www.gtpcompany.com)

<b>Drwn By:</b> JC	<b>Related Items:</b> X
<b>Date:</b> 12/1/10	
<b>Scale:</b> NTS	
<b>Rev:</b> A	

<b>D</b>	X	X
<b>C</b>	X	X
<b>B</b>	X	X
<b>Rev.</b>	<b>Description</b>	<b>Date</b>

**Notes:**  
 1)

**Notice**  
 This drawing and its content are for the specific use of GTP customers only. It is not to be duplicated or copied without expressed written content of General Treatment Products, Inc. We Reserve the right to modify this drawing with out notice.

**Description:**  
 Delivery "cam-Lock" Fitting and Dust Cap

**Model:**  
 DCLxxx

POLYCARBONATE  
LEVEL INDICATOR

2" MNPT  
MOUNT

FLOAT

DIMENSIONS: A B

LI-18	19"	9.5"
LI-35	27"	13.5"
LI-65	39"	19.5"
LI-120	50"	25"
LI-160	61"	30.5"
LI-220	56"	19"

\*\* LI-220 ONLY MONITORS  
BOTTOM 38" OF TANK.

SPECIFICATIONS:

x

MATERIALS OF CONSTRUCTION:  
STD = STAINLESS STEEL, POLYPRO &  
CARBON STEEL  
PVC = ALL PVC CONSTRUCTION  
x

Capacity:	x	Gallons				
Max Temp.:	x	F				
Max Press.:	x	PSI				
Weight:	10	Lbs.				
Voltage.:	x	VAC	x	Phs	x	Hz
FLA.:	x	amps				

20	x	x
19	x	x
18	x	x
17	x	x
16	x	x
15	x	x
14	x	x
13	x	x
12	x	x
11	x	x
10	x	x
9	x	x
8	x	x
7	x	x
6	x	x
5	x	x
4	x	x
3	x	x
2	x	x
1	x	x

#	PART	DESCRIPTION
---	------	-------------

Drwn By:	Jim C
Date:	07/21/12
Scale:	NTS
Rev.:	A
Apprd By:	x
Date:	xx/xx/xx

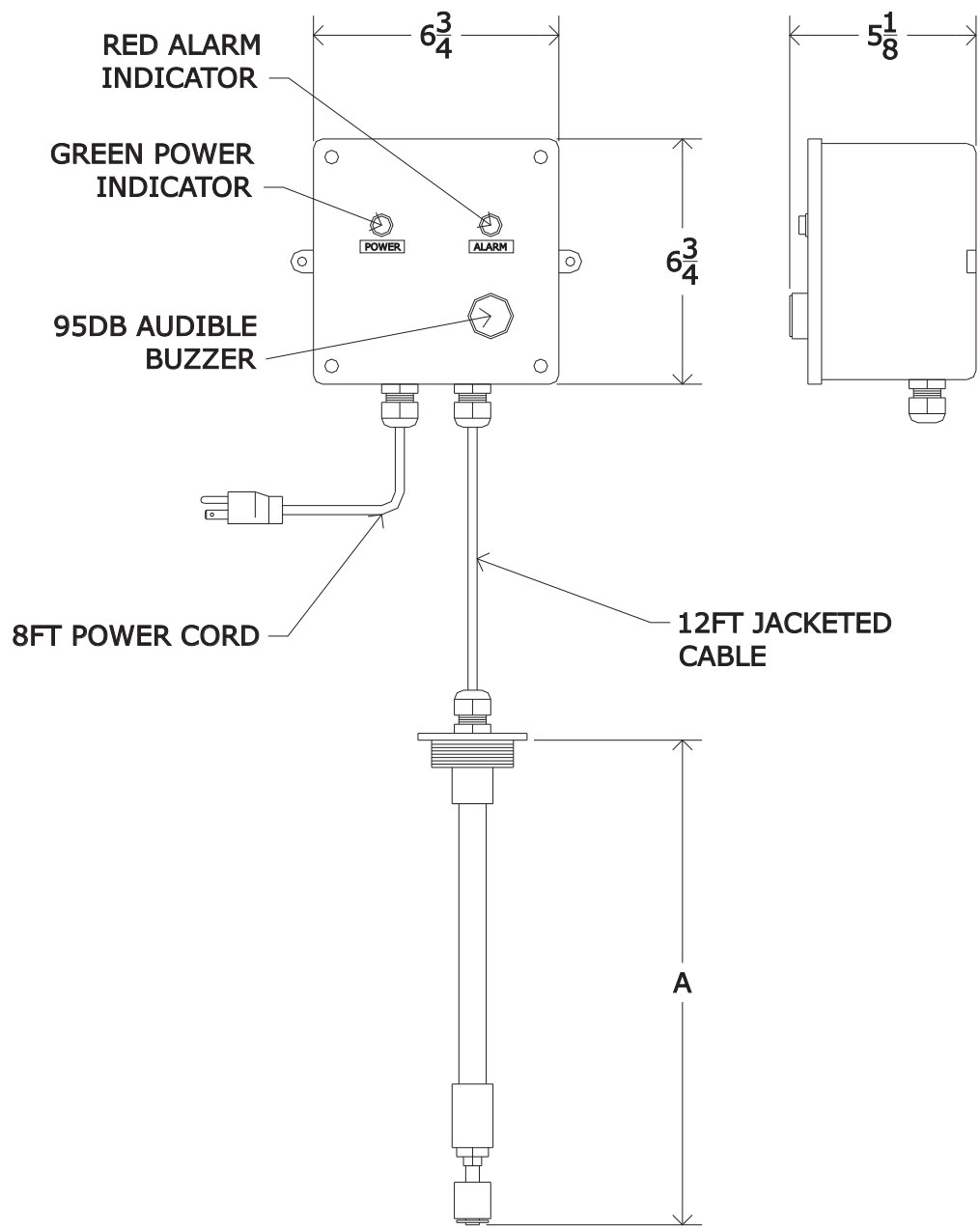


Description:  
LEVEL INDICATORS STD & PVC  
Model:  
LI-XX OR LI-XX-P

D	x	xx/xx/xx
C	x	xx/xx/xx
B	x	xx/xx/xx
REV	DESCRIPTION	DATE

**General Treatment Products, Inc.**  
PO Box 8697, Brea, CA 92822  
Phone: 714) 257-9165  
Fax: 714) 257-9215  
customerservice@gtpcompany.com  
http://www.gtpcompany.com

**NOTICE**  
This drawing and it's contents are for the specific use of GTP customers only. It is not to be duplicated or copied without expressed written consent or General Treatment Products, Inc. We reserve the right to modify this drawing without notice.



**Specifications:**  
 Overflow Level System. Designed for 2" NPT port on "Chem-Tainment" Tank U-Basin will detect leaks in containment with float switch wand. Control panel come complete with power cord, indicator lights and 95 decibel audible alarm.

**Materials of Construction:**  
 Polypropylene, PVC and Polyethylene

<b>Voltage:</b>	115 VAC	1 PHS	60 PHS
<b>Max. Temp.:</b>	85	°F	
<b>Max. Press:</b>	N/A	PSI	
<b>Weight:</b>	15	LBS	

12	X	X
11	X	X
10	X	X
9	X	X
8	X	X
7	X	X
6	X	X
5	X	X
4	X	X
3	X	X
2	X	X
1	X	X

#	Part	Description
---	------	-------------



Phone: 714-257-9165  
 Fax: 714-257-9215  
[www.gtpcompany.com](http://www.gtpcompany.com)

<b>Drwn By:</b> JC	<b>Related Items:</b> X
<b>Date:</b> 12/1/10	
<b>Scale:</b> NTS	
<b>Rev:</b> A	

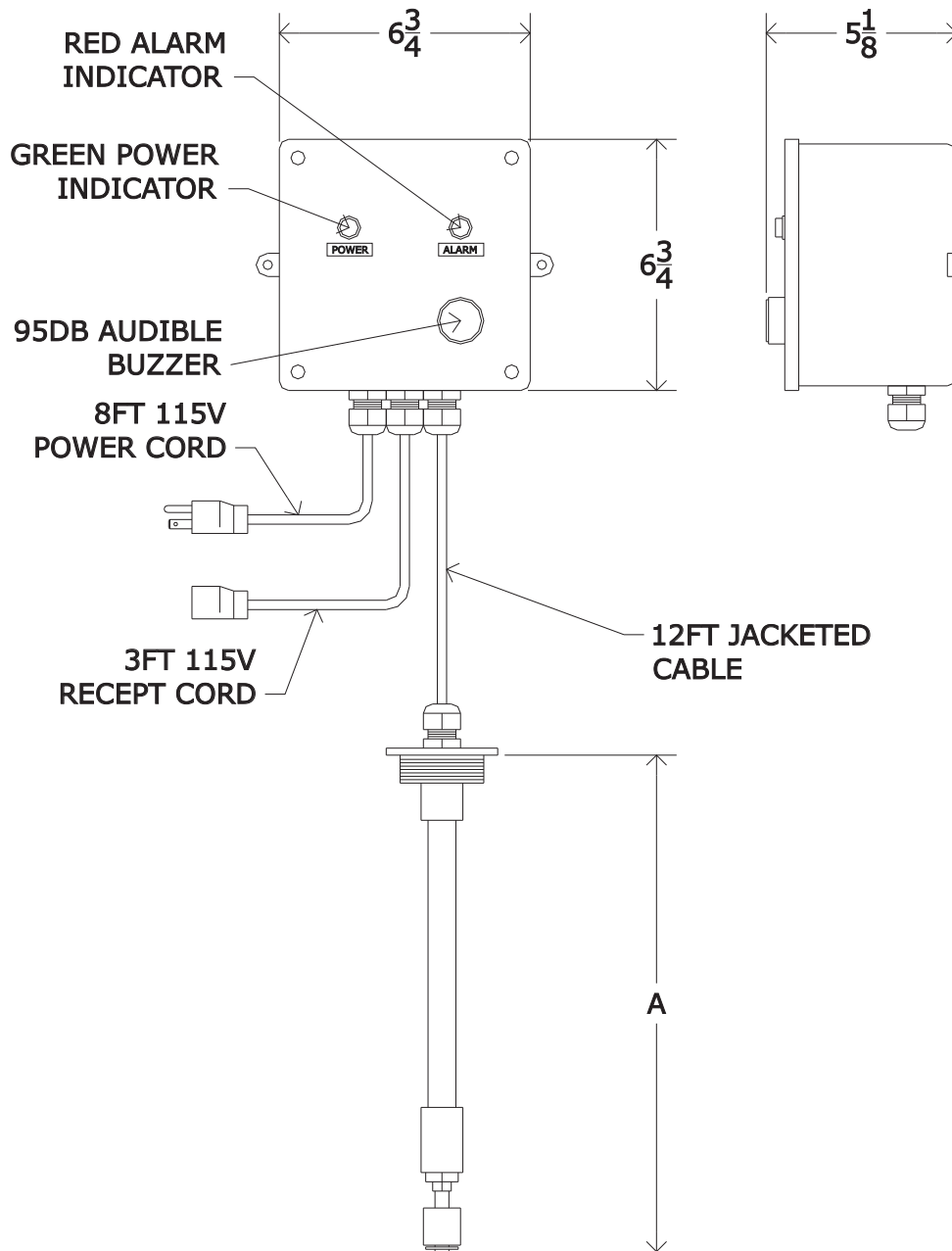
<b>D</b>	X	X
<b>C</b>	X	X
<b>B</b>	X	X
<b>Rev.</b>	<b>Description</b>	<b>Date</b>

**Notes:**  
 1)

**Notice**  
 This drawing and its content are for the specific use of GTP customers only. It is not to be duplicated or copied without expressed written content of General Treatment Products, Inc. We Reserve the right to modify this drawing with out notice.

**Description:**  
 Level System - Overflow

**Model:**  
 LVSO



**Specifications:**

Primary Tank Level System. Designed for 2" NPT port on "Chem-Tainment" Tank Primary Tank will detect low level in primary tank with float switch wand. Control panel come complete with power cord, pump control cord, indicator lights and 95 decibel audible alarm.

**Materials of Construction:**

Polypropylene, PVC and Polyethylene

**Voltage:** 115 VAC 1 PHS 60 PHS

**Max. Temp.:** 85 °F

**Max. Press:** N/A PSI

**Weight:** 15 LBS

12	X	X
11	X	X
10	X	X
9	X	X
8	X	X
7	X	X
6	X	X
5	X	X
4	X	X
3	X	X
2	X	X
1	X	X

#	Part	Description
---	------	-------------



Phone: 714-257-9165  
 Fax: 714-257-9215  
[www.gtpcompany.com](http://www.gtpcompany.com)

**Drwn By:** JC  
**Date:** 12/1/10  
**Scale:** NTS  
**Rev:** A

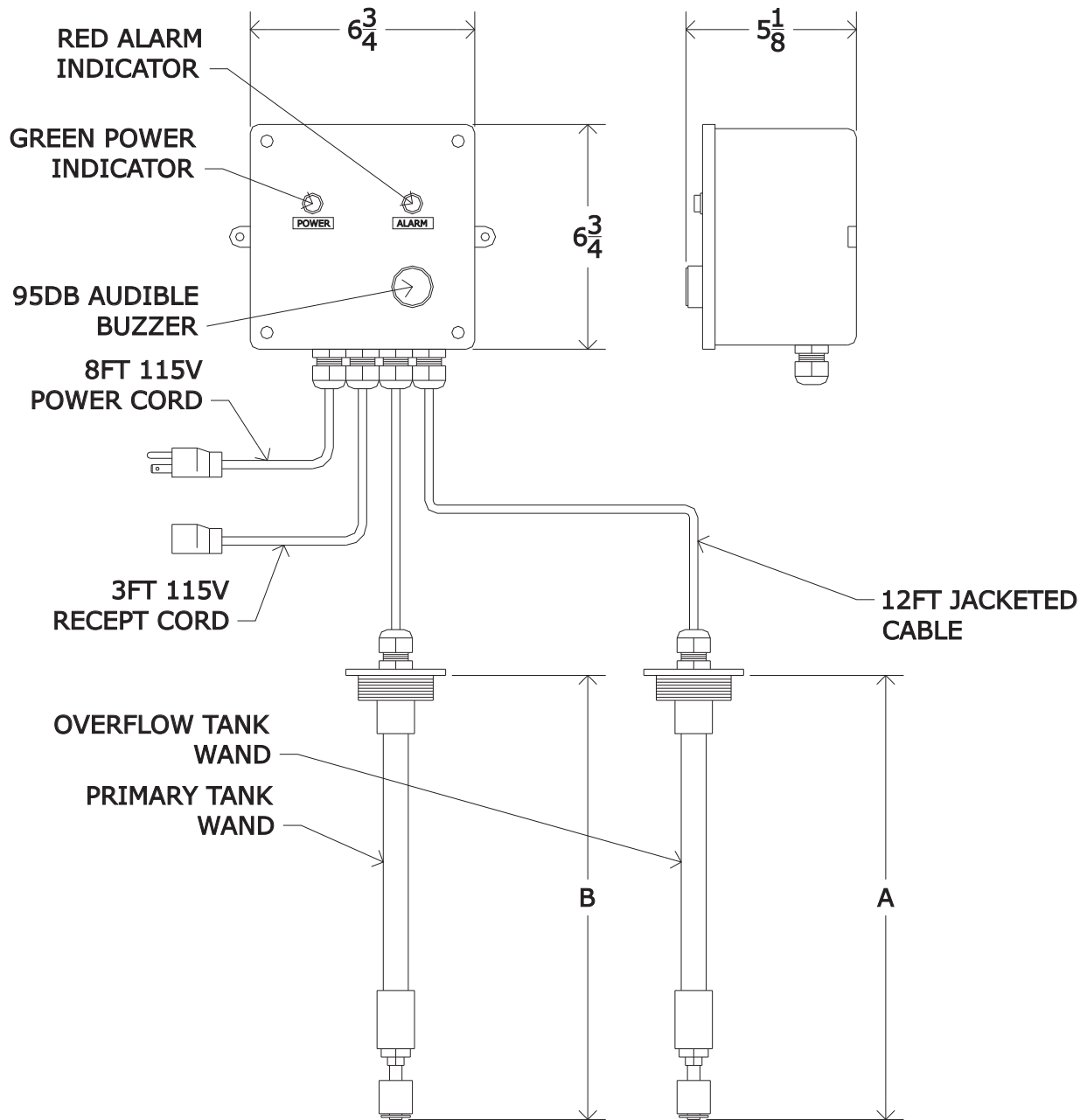
**Related Items:**  
 X

D	X	X
C	X	X
B	X	X
Rev.	Description	Date

**Notes:**  
 1)

**Notice**  
 This drawing and its content are for the specific use of GTP customers only. It is not to be duplicated or copied without expressed written content of General Treatment Products, Inc. We Reserve the right to modify this drawing with out notice.

**Description:**  
 Level System - Primary Tank w/Pump Control  
**Model:**  
 LVSP



**Specifications:**  
 Overflow/Primary Tank Level System. Designed for 2" NPT ports on "Chem-Tainment" Tank Primary and Overflow Tank will detect low level in primary tank with float switch wand and detect leaks with overflow float switch. Control panel come complete with power cord, pump control cord, indicator lights and 95 decibel audible alarm.

**Materials of Construction:**  
 Polypropylene, PVC and Polyethylene

<b>Voltage:</b>	115 VAC	1 PHS	60 PHS
<b>Max. Temp.:</b>	85	°F	
<b>Max. Press:</b>	N/A	PSI	
<b>Weight:</b>	20	LBS	

12	X	X
11	X	X
10	X	X
9	X	X
8	X	X
7	X	X
6	X	X
5	X	X
4	X	X
3	X	X
2	X	X
1	X	X

#	Part	Description
---	------	-------------


 Phone: 714-257-9165  
 Fax: 714-257-9215  
[www.gtpcompany.com](http://www.gtpcompany.com)  
General Treatment Products, Inc.

<b>Drwn By:</b> JC	<b>Related Items:</b> X
<b>Date:</b> 12/1/10	
<b>Scale:</b> NTS	
<b>Rev:</b> A	

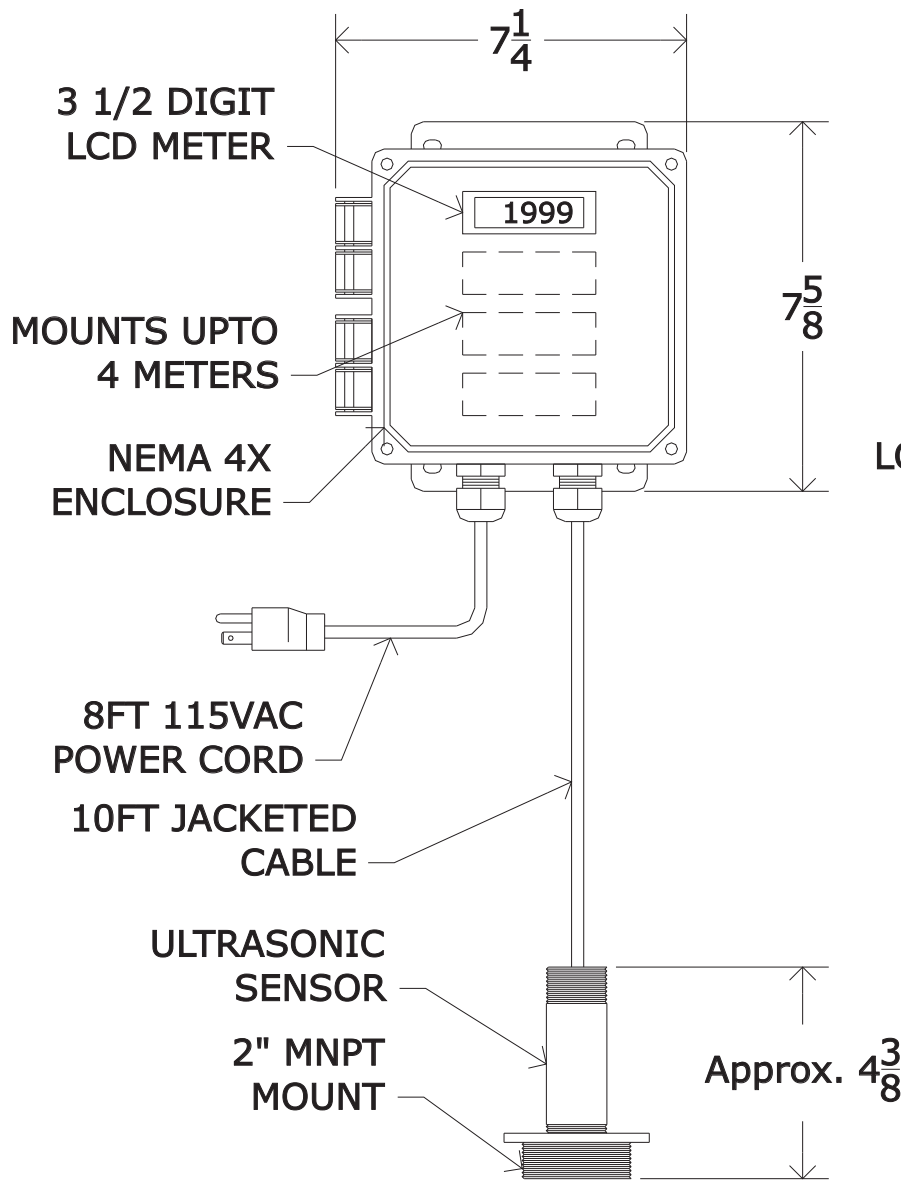
<b>D</b>	X	X
<b>C</b>	X	X
<b>B</b>	X	X
<b>Rev.</b>	<b>Description</b>	<b>Date</b>

**Notes:**  
 1)

**Notice**  
 This drawing and its content are for the specific use of GTP customers only. It is not to be duplicated or copied without expressed written content of General Treatment Products, Inc. We Reserve the right to modify this drawing with out notice.

**Description:**  
 Level System - Primary/Overflow Tank w/Control

**Model:**  
 LVSS



**Specifications:**  
 Ultrasonic Tank Level System. Designed for 2" NPT port on "Chem-Tainment" Tank Primary Tank or "U-Shaped" Overflow Basin will display continuous level on primary tank or overflow basin. Control panel comes complete with power cord, 3 1/2 digit LCD display, power supply for level sensor and lockable NEMA 4 enclosure.

**Materials of Construction:**  
 PVC and Polyethylene

<b>Voltage:</b>	115 VAC	1 PHS	60 PHS
<b>Max. Temp.:</b>	85	°F	
<b>Max. Press:</b>	N/A	PSI	
<b>Weight:</b>	18	LBS	

12	X	X
11	X	X
10	X	X
9	X	X
8	X	X
7	X	X
6	X	X
5	X	X
4	X	X
3	X	X
2	X	X
1	X	X

#	Part	Description
---	------	-------------

Phone: 714-257-9165  
 Fax: 714-257-9215  
[www.gtpcompany.com](http://www.gtpcompany.com)

<b>Drwn By:</b> JC	<b>Related Items:</b> X
<b>Date:</b> 12/1/10	
<b>Scale:</b> NTS	
<b>Rev:</b> A	

<b>D</b>	X	X
<b>C</b>	X	X
<b>B</b>	X	X
<b>Rev.</b>	<b>Description</b>	<b>Date</b>

**Notes:**  
 1)

**Notice**  
 This drawing and its content are for the specific use of GTP customers only. It is not to be duplicated or copied without expressed written content of General Treatment Products, Inc. We Reserve the right to modify this drawing with out notice.

**Description:**  
 Level System - Ultrasonic Level Display

**Model:**  
 LVUC-1

