

MATERIALS OF CONSTRUCTION:
LLHD POLYETHYLENE

Capacity:	18	Gallons
Max Temp.:	85	F
Max Press.:	NA	PSI
Weight:	25	Lbs.

20	x	x
19	x	x
18	x	x
17	x	x
16	x	x
15	x	x
14	x	x
13	x	x
12	x	x
11	x	x
10	x	x
9	x	x
8	x	x
7	x	x
6	x	x
5	x	x
4	x	x
3	x	x
2	x	x
1	x	x

#	PART	DESCRIPTION
F	x	xx/xx/xx
E	x	xx/xx/xx
D	x	xx/xx/xx
C	x	xx/xx/xx
B	x	xx/xx/xx
REV	DESCRIPTION	DATE

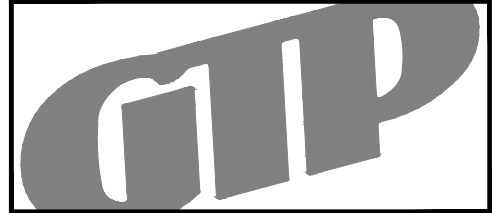
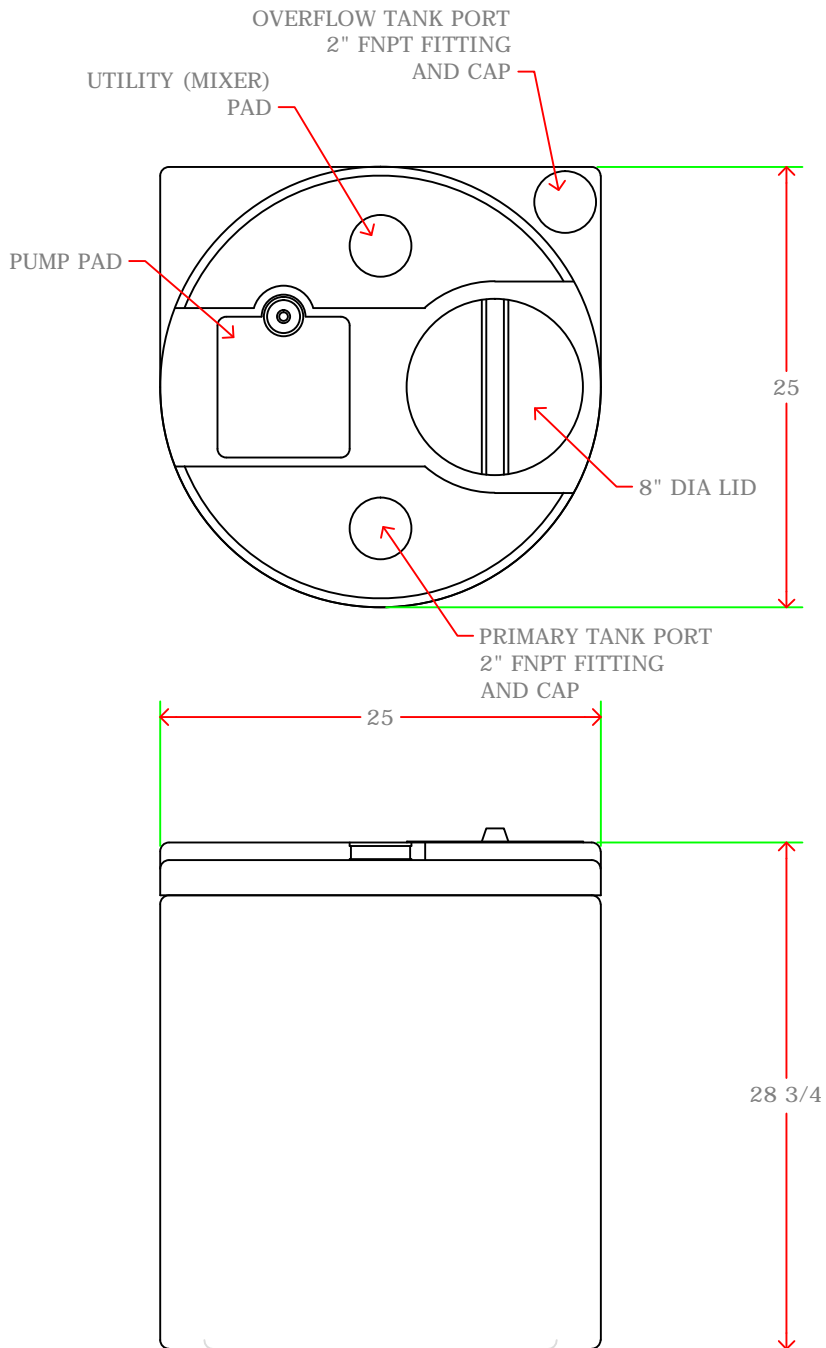
General Treatment Products, Inc.
 PO Box 8697, Brea, CA 92822
 Phone: 714) 257-9165 <http://www.gtpcompany.com>
 Fax: 714) 257-9215 customerservice@gtpcompany.com

Date: 1/1/12 Scale: NTS Rev.: A

Description:
18GL CONTAINMENT TANK

Model:
DW18

NOTICE: This drawing and its contents are for the specific use of GTP customers only. It is not to be duplicated or copied without expressed written consent of General Treatment Products, Inc. We reserve the right to modify this drawing without notice.



MATERIALS OF CONSTRUCTION:
LLHD POLYETHYLENE

Capacity: 35 Gallons
Max Temp.: 85 F
Max Press.: NA PSI
Weight: 43 Lbs.

20	x	x
19	x	x
18	x	x
17	x	x
16	x	x
15	x	x
14	x	x
13	x	x
12	x	x
11	x	x
10	x	x
9	x	x
8	x	x
7	x	x
6	x	x
5	x	x
4	x	x
3	x	x
2	x	x
1	x	x

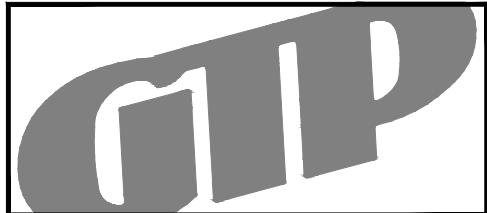
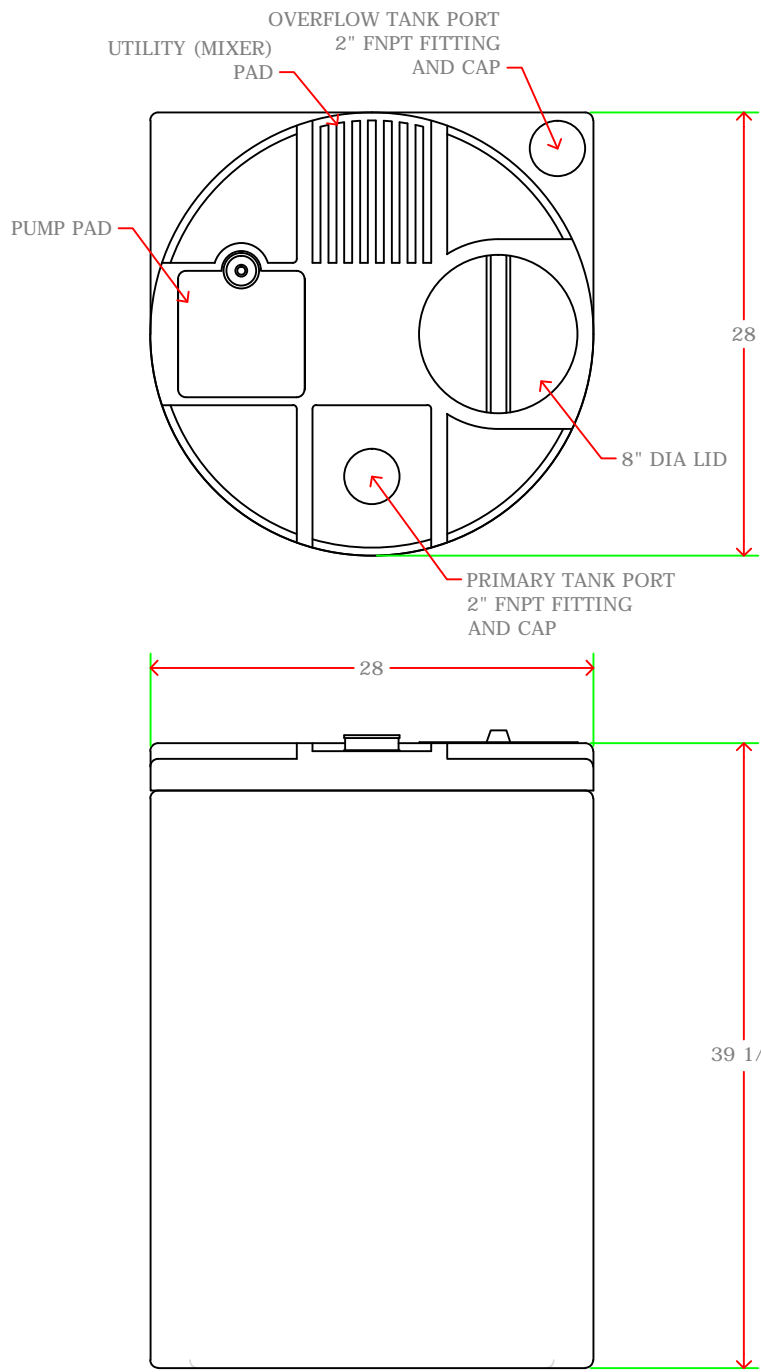
#	PART	DESCRIPTION
F	x	xx/xx/xx
E	x	xx/xx/xx
D	x	xx/xx/xx
C	x	xx/xx/xx
B	x	xx/xx/xx
REV	DESCRIPTION	DATE

General Treatment Products, Inc.
PO Box 8697, Brea, CA 92822
Phone: 714) 257-9165 <http://www.gtpcompany.com>
Fax: 714) 257-9215 customerservice@gtpcompany.com

Date: 1/1/12 Scale: NTS Rev.: A

Description:
35GL CONTAINMENT TANK

Model:
DW35



MATERIALS OF CONSTRUCTION:
POLYETHYLENE

Capacity:	65	Gallons
Max Temp.:	85	F
Max Press.:	NA	PSI
Weight:	57	Lbs.

20	x	x
19	x	x
18	x	x
17	x	x
16	x	x
15	x	x
14	x	x
13	x	x
12	x	x
11	x	x
10	x	x
9	x	x
8	x	x
7	x	x
6	x	x
5	x	x
4	x	x
3	x	x
2	x	x
1	x	x

#	PART	DESCRIPTION
F	x	xx/xx/xx
E	x	xx/xx/xx
D	x	xx/xx/xx
C	x	xx/xx/xx
B	x	xx/xx/xx
REV	DESCRIPTION	DATE

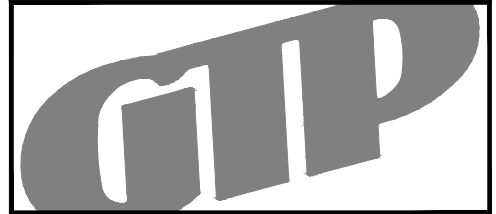
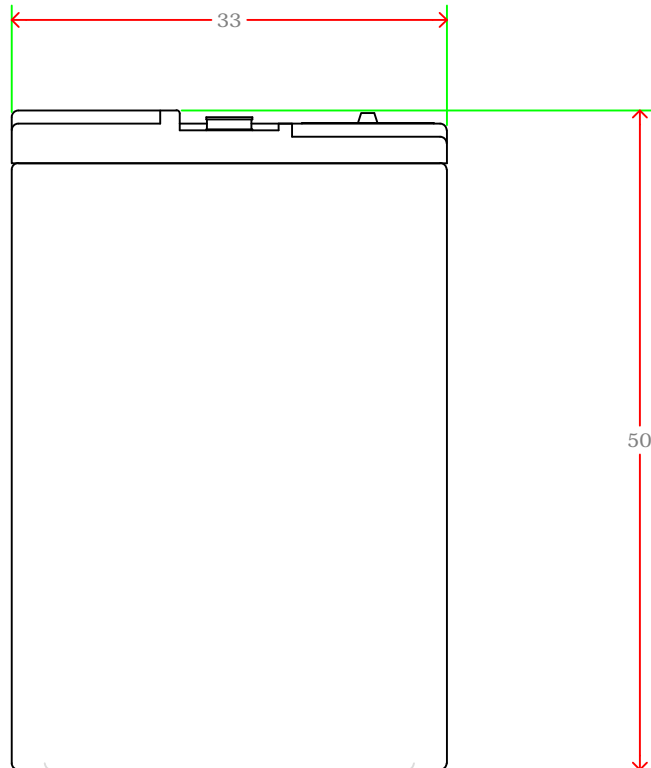
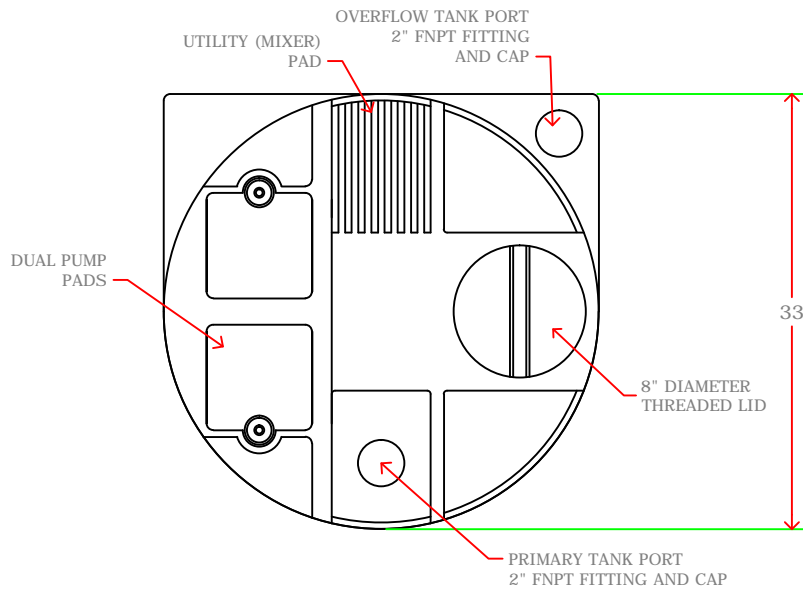
General Treatment Products, Inc.
 PO Box 8697, Brea, CA 92822
 Phone: 714) 257-9165 <http://www.gtpcompany.com>
 Fax: 714) 257-9215 customerservice@gtpcompany.com

Date: 1/1/12 Scale: NTS Rev.: A

Description:
65GL CONTAINMENT TANK

Model:
DW65

NOTICE: This drawing and its contents are for the specific use of GTP customers only. It is not to be duplicated or copied without expressed written consent of General Treatment Products, Inc. We reserve the right to modify this drawing without notice.



MATERIALS OF CONSTRUCTION:
LLHD POLYETHYLENE

Capacity: 120 Gallons
Max Temp.: 85 F
Max Press.: NA PSI
Weight: 88 Lbs.

20	x	x
19	x	x
18	x	x
17	x	x
16	x	x
15	x	x
14	x	x
13	x	x
12	x	x
11	x	x
10	x	x
9	x	x
8	x	x
7	x	x
6	x	x
5	x	x
4	x	x
3	x	x
2	x	x
1	x	x

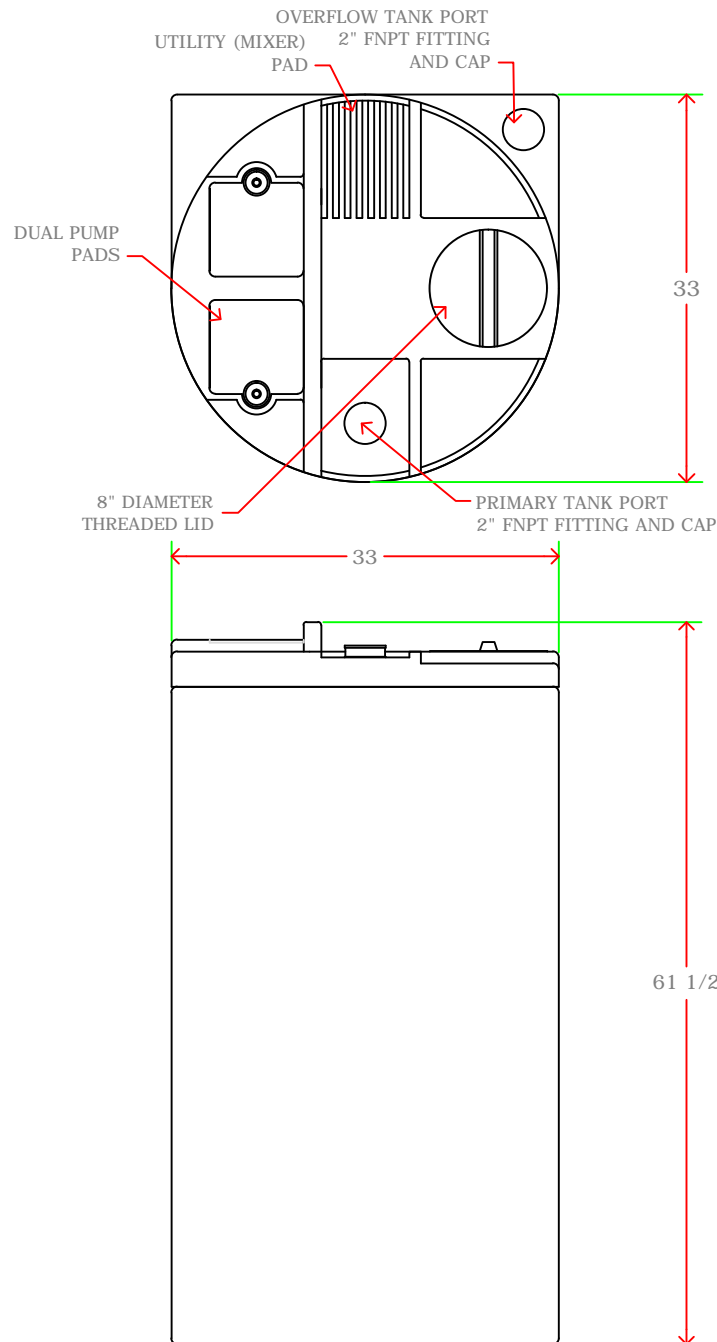
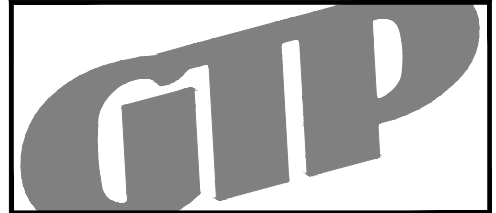
#	PART	DESCRIPTION
F	x	xx/xx/xx
E	x	xx/xx/xx
D	x	xx/xx/xx
C	x	xx/xx/xx
B	x	xx/xx/xx
REV	DESCRIPTION	DATE

General Treatment Products, Inc.
PO Box 8697, Brea, CA 92822
Phone: 714) 257-9165 <http://www.gtpcompany.com>
Fax: 714) 257-9215 customerservice@gtpcompany.com

Date: 1/1/12 Scale: NTS Rev.: A

Description:
120GL CONTAINMENT TANK

Model:
DW120



MATERIALS OF CONSTRUCTION:
POLYETHYLENE

Capacity: 160 Gallons
Max Temp.: 85 F
Max Press.: NA PSI
Weight: 130 Lbs.

20	x	x
19	x	x
18	x	x
17	x	x
16	x	x
15	x	x
14	x	x
13	x	x
12	x	x
11	x	x
10	x	x
9	x	x
8	x	x
7	x	x
6	x	x
5	x	x
4	x	x
3	x	x
2	x	x
1	x	x

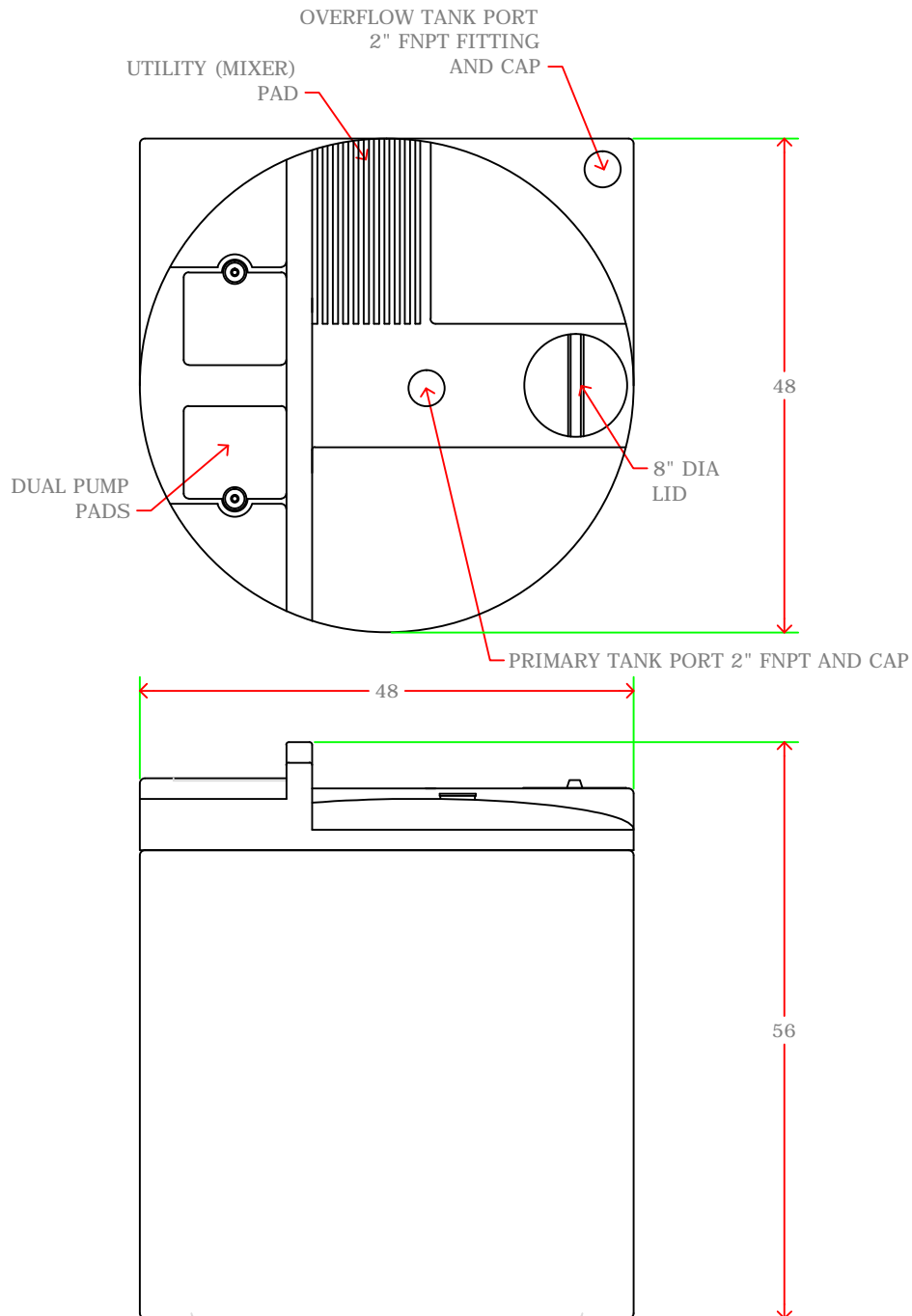
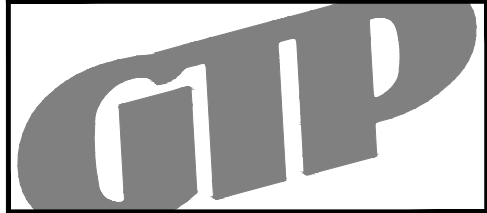
#	PART	DESCRIPTION
F	x	xx/xx/xx
E	x	xx/xx/xx
D	x	xx/xx/xx
C	x	xx/xx/xx
B	x	xx/xx/xx
REV	DESCRIPTION	DATE

General Treatment Products, Inc.
PO Box 8697, Brea, CA 92822
Phone: 714) 257-9165 <http://www.gtpcompany.com>
Fax: 714) 257-9215 customerservice@gtpcompany.com

Date: 1/1/12 Scale: NTS Rev.: A

Description:
160GL CONTAINMENT TANK

Model:
DW160



MATERIALS OF CONSTRUCTION:
LLHD POLYETHYLENE

Capacity: 220 Gallons
Max Temp.: 85 F
Max Press.: NA PSI
Weight: 185 Lbs.

20	x	x
19	x	x
18	x	x
17	x	x
16	x	x
15	x	x
14	x	x
13	x	x
12	x	x
11	x	x
10	x	x
9	x	x
8	x	x
7	x	x
6	x	x
5	x	x
4	x	x
3	x	x
2	x	x
1	x	x

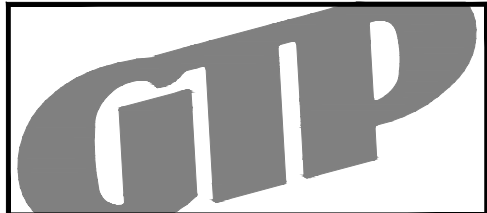
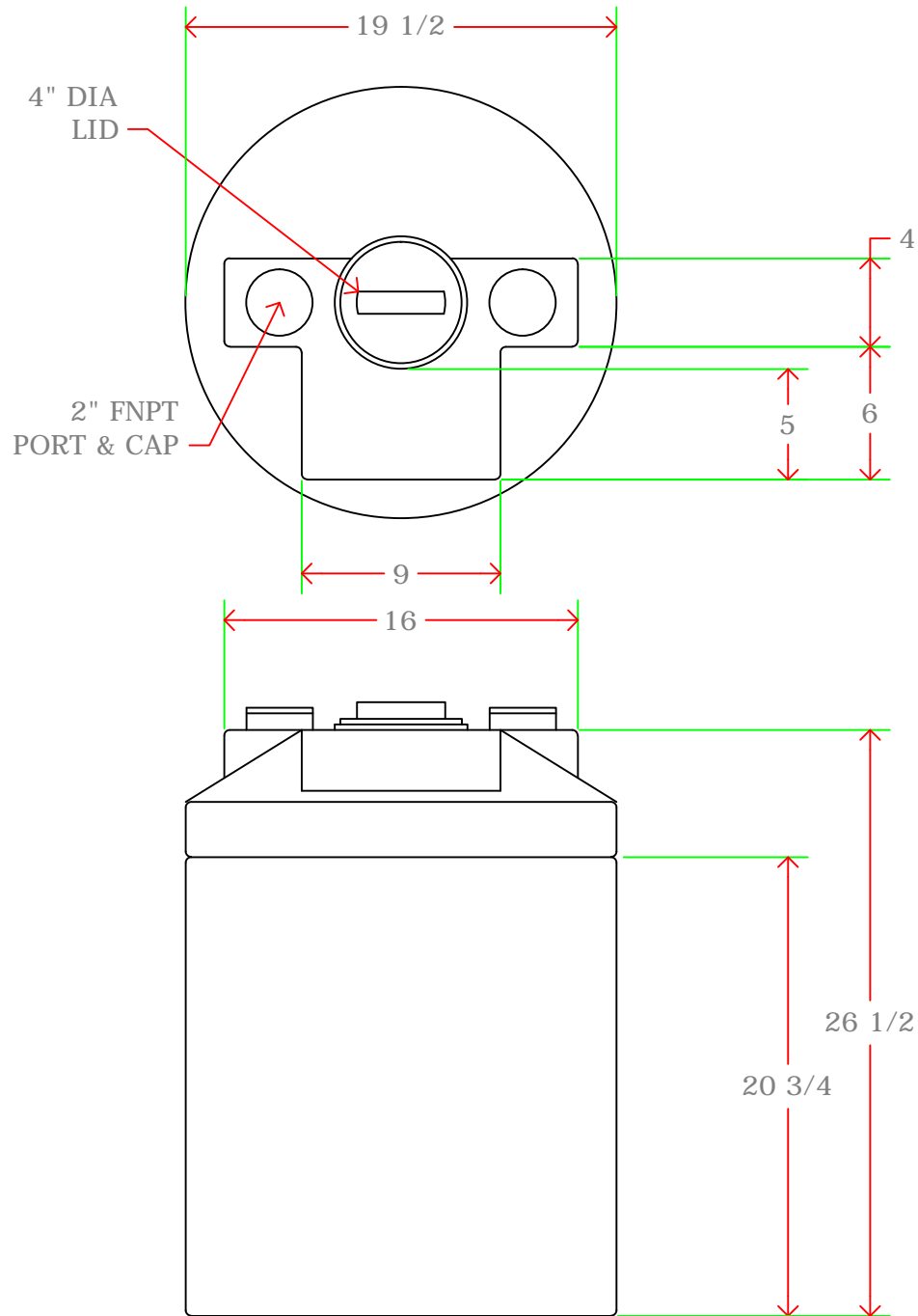
#	PART	DESCRIPTION
F	x	xx/xx/xx
E	x	xx/xx/xx
D	x	xx/xx/xx
C	x	xx/xx/xx
B	x	xx/xx/xx
REV	DESCRIPTION	DATE

General Treatment Products, Inc.
PO Box 8697, Brea, CA 92822
Phone: 714) 257-9165 <http://www.gtpcompany.com>
Fax: 714) 257-9215 customerservice@gtpcompany.com

Date: 1/1/12 Scale: NTS Rev.: A

Description:
220GL CONTAINMENT TANK

Model:
DW220



MATERIALS OF CONSTRUCTION:
 LLHD POLYETHYLENE

Capacity: 15 Gallons
 Max Temp.: 85 F
 Max Press.: NA PSI
 Weight: 25 Lbs.

20	x	x
19	x	x
18	x	x
17	x	x
16	x	x
15	x	x
14	x	x
13	x	x
12	x	x
11	x	x
10	x	x
9	x	x
8	x	x
7	x	x
6	x	x
5	x	x
4	x	x
3	x	x
2	x	x
1	x	x

#	PART	DESCRIPTION
F	x	xx/xx/xx
E	x	xx/xx/xx
D	x	xx/xx/xx
C	x	xx/xx/xx
B	x	xx/xx/xx
REV	DESCRIPTION	DATE

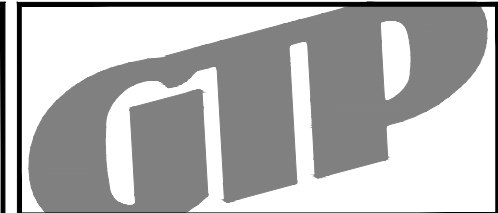
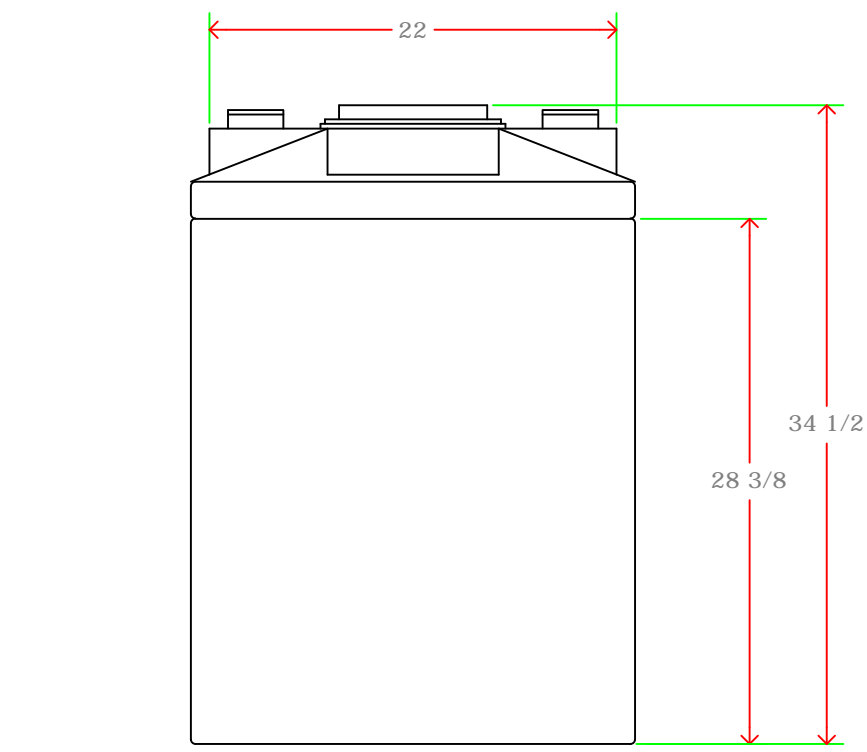
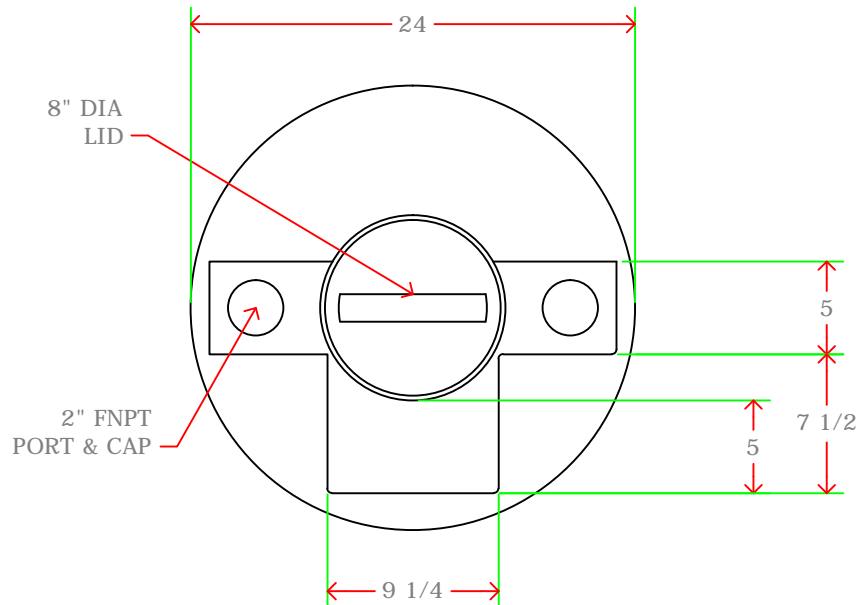
General Treatment Products, Inc.
 PO Box 8697, Brea, CA 92822
 Phone: 714) 257-9165 <http://www.gtpcompany.com>
 Fax: 714) 257-9215 customerservice@gtpcompany.com

Date: 1/1/12 Scale: NTS Rev.: A

Description:
 15GL CONTAINMENT TANK

Model:
 DWE15

NOTICE: This drawing and its contents are for the specific use of GTP customers only. It is not to be duplicated or copied without expressed written consent of General Treatment Products, Inc. We reserve the right to modify this drawing without notice.



MATERIALS OF CONSTRUCTION:
 LLHD POLYETHYLENE

Capacity:	35	Gallons
Max Temp.:	85	F
Max Press.:	NA	PSI
Weight:	36	Lbs.
Voltage.:	x	VAC x Phs x Hz
FLA.:	x	amps

20	x	x
19	x	x
18	x	x
17	x	x
16	x	x
15	x	x
14	x	x
13	x	x
12	x	x
11	x	x
10	x	x
9	x	x
8	x	x
7	x	x
6	x	x
5	x	x
4	x	x
3	x	x
2	x	x
1	x	x

#	PART	DESCRIPTION
F	x	xx/xx/xx
E	x	xx/xx/xx
D	x	xx/xx/xx
C	x	xx/xx/xx
B	x	xx/xx/xx

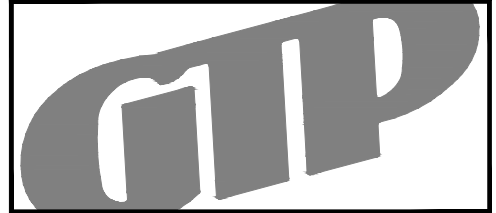
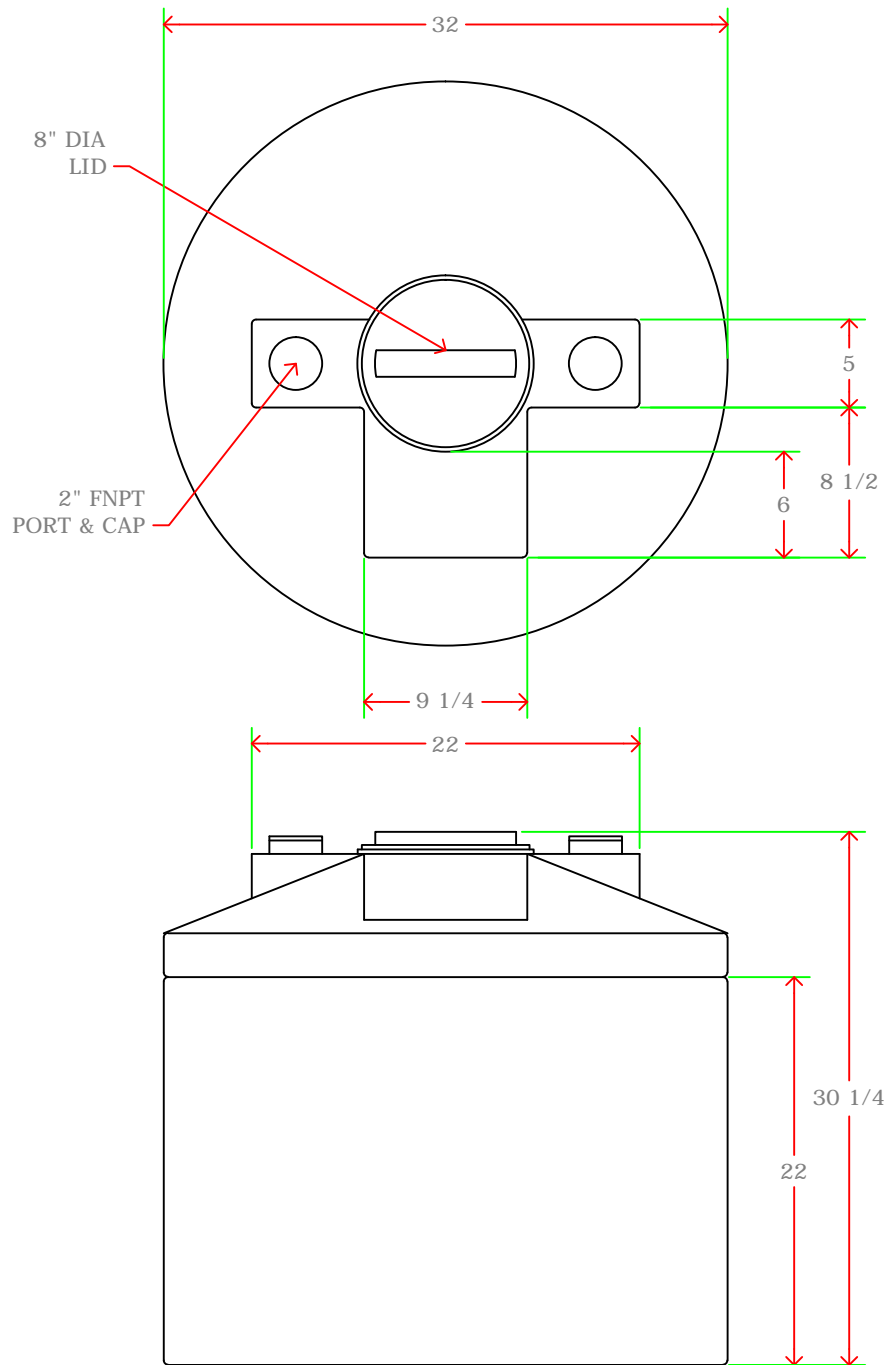
General Treatment Products, Inc.
 PO Box 8697, Brea, CA 92822
 Phone: 714) 257-9165 <http://www.gtpcompany.com>
 Fax: 714) 257-9215 customerservice@gtpcompany.com

Date: 1/1/12 Scale: NTS Rev.: A

Description:
35GL CONTAINMENT TANK

Model:
DWE35

NOTICE: This drawing and its contents are for the specific use of GTP customers only. It is not to be duplicated or copied without expressed written consent of General Treatment Products, Inc. We reserve the right to modify this drawing without notice.



MATERIALS OF CONSTRUCTION:
LLHD POLYETHYLENE

Capacity:	60	Gallons				
Max Temp.:	85	F				
Max Press.:	NA	PSI				
Weight:	46	Lbs.				
Voltage.:	x	VAC	x	Phs	x	Hz
FLA.:	x	amps				

20	x	x
19	x	x
18	x	x
17	x	x
16	x	x
15	x	x
14	x	x
13	x	x
12	x	x
11	x	x
10	x	x
9	x	x
8	x	x
7	x	x
6	x	x
5	x	x
4	x	x
3	x	x
2	x	x
1	x	x

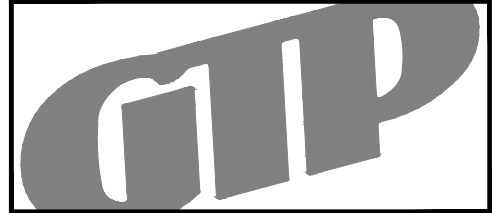
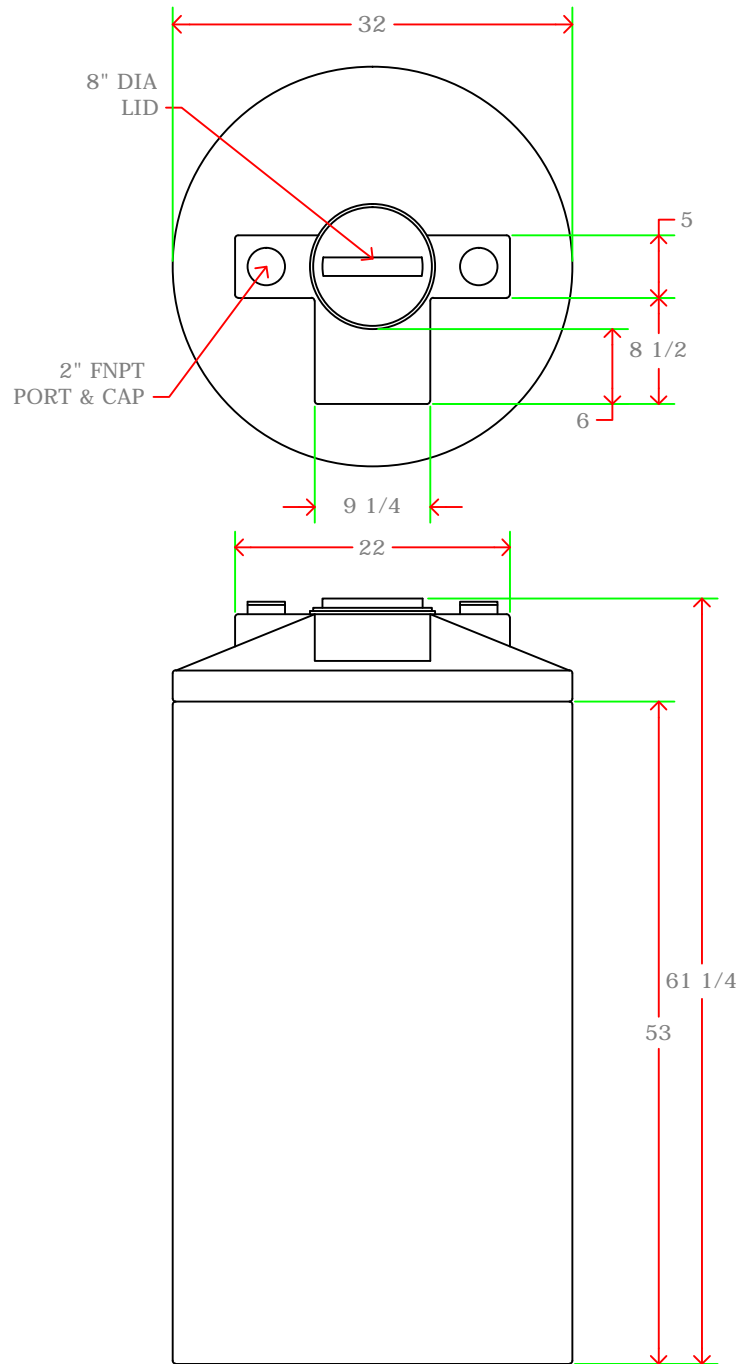
#	PART	DESCRIPTION
F	x	xx/xx/xx
E	x	xx/xx/xx
D	x	xx/xx/xx
C	x	xx/xx/xx
B	x	xx/xx/xx
REV	DESCRIPTION	DATE

General Treatment Products, Inc.
PO Box 8697, Brea, CA 92822
Phone: 714) 257-9165 <http://www.gtpcompany.com>
Fax: 714) 257-9215 customerservice@gtpcompany.com

Date: 1/1/12 Scale: NTS Rev.: A

Description:
60GL CONTAINMENT TANK

Model:
DWE60



MATERIALS OF CONSTRUCTION:
LLHD POLYETHYLENE

Capacity: 110 Gallons
Max Temp.: 85 F
Max Press.: NA PSI
Weight: 76 Lbs.

20	x	x
19	x	x
18	x	x
17	x	x
16	x	x
15	x	x
14	x	x
13	x	x
12	x	x
11	x	x
10	x	x
9	x	x
8	x	x
7	x	x
6	x	x
5	x	x
4	x	x
3	x	x
2	x	x
1	x	x

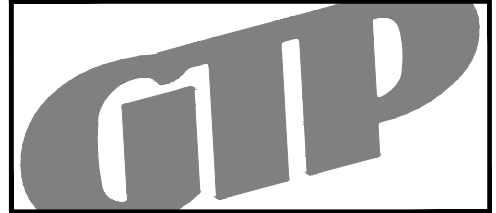
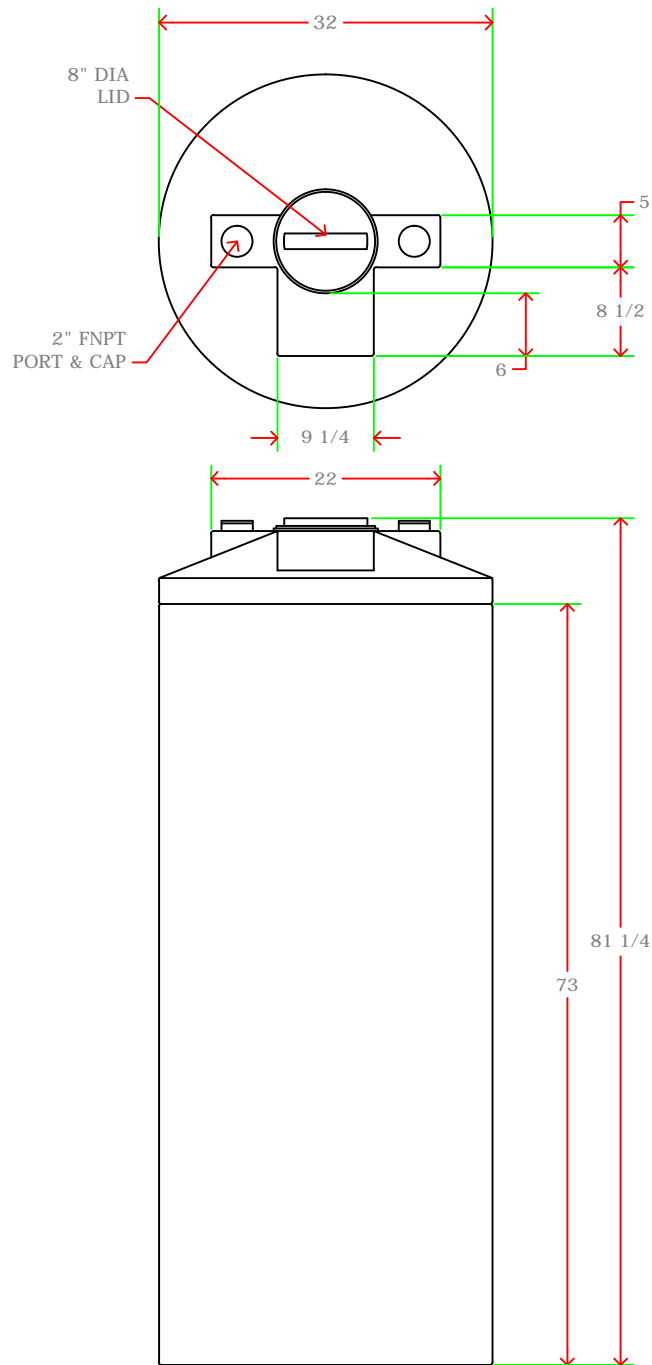
#	PART	DESCRIPTION
F	x	xx/xx/xx
E	x	xx/xx/xx
D	x	xx/xx/xx
C	x	xx/xx/xx
B	x	xx/xx/xx
REV	DESCRIPTION	DATE

General Treatment Products, Inc.
PO Box 8697, Brea, CA 92822
Phone: 714) 257-9165 <http://www.gtpcompany.com>
Fax: 714) 257-9215 customerservice@gtpcompany.com

Date: 1/1/12 Scale: NTS Rev.: A

Description:
110GL CONTAINMENT TANK

Model:
DWE 110



MATERIALS OF CONSTRUCTION:
LLHD POLYETHYLENE

Capacity: 165 Gallons
Max Temp.: 85 F
Max Press.: NA PSI
Weight: 115 Lbs.

20	x	x
19	x	x
18	x	x
17	x	x
16	x	x
15	x	x
14	x	x
13	x	x
12	x	x
11	x	x
10	x	x
9	x	x
8	x	x
7	x	x
6	x	x
5	x	x
4	x	x
3	x	x
2	x	x
1	x	x

#	PART	DESCRIPTION
F	x	xx/xx/xx
E	x	xx/xx/xx
D	x	xx/xx/xx
C	x	xx/xx/xx
B	x	xx/xx/xx
REV	DESCRIPTION	DATE

General Treatment Products, Inc.
PO Box 8697, Brea, CA 92822
Phone: 714) 257-9165 <http://www.gtpcompany.com>
Fax: 714) 257-9215 customerservice@gtpcompany.com

Date: 1/1/12 Scale: NTS Rev.: A

Description:
165GL CONTAINMENT TANK

Model:
DWE165