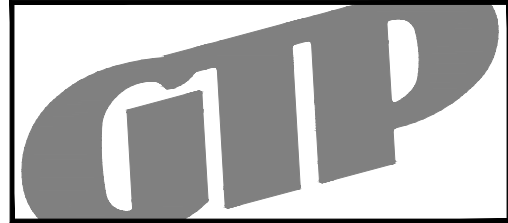
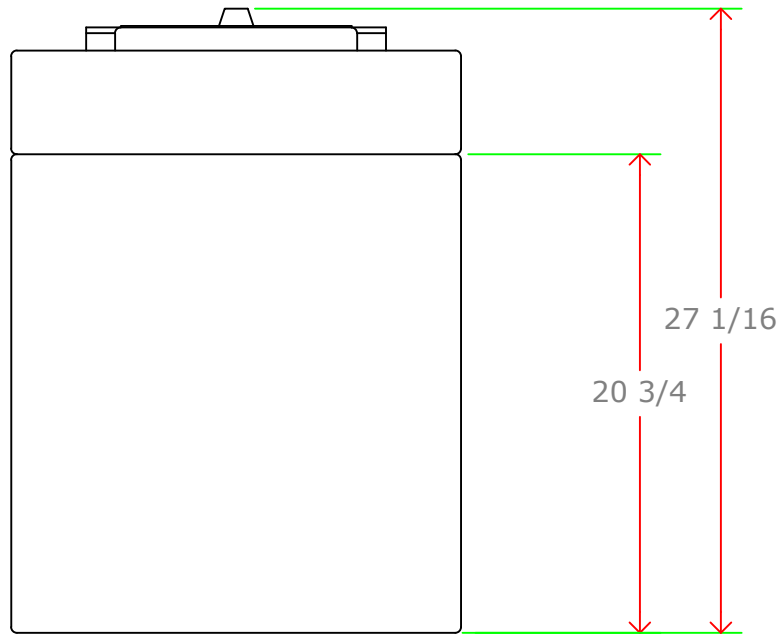
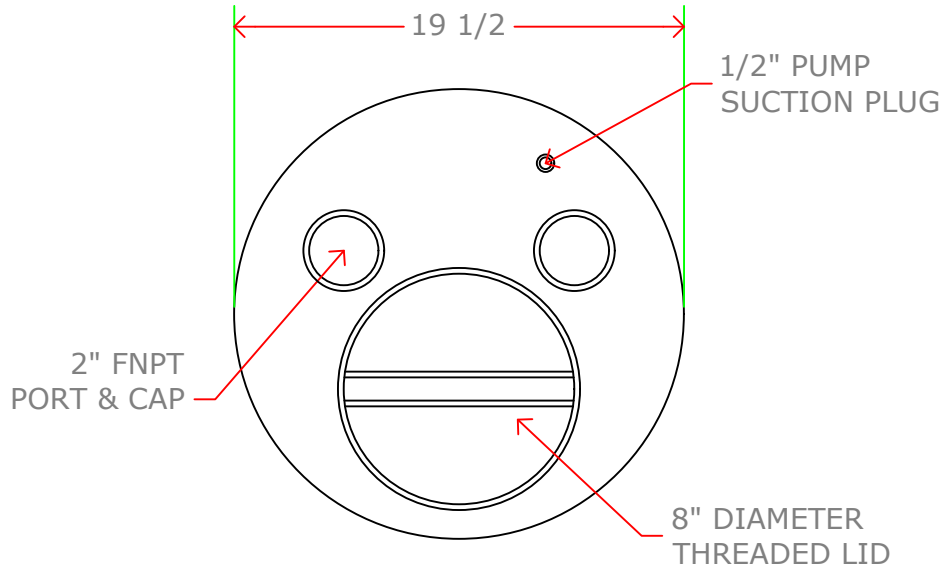


NOTICE: This drawing and its contents are for the specific use of GTP customers only. It is not to be duplicated or copied without expressed written consent of General Treatment Products, Inc. We reserve the right to modify this drawing without notice.



**MATERIALS OF CONSTRUCTION:**  
POLYETHYLENE

<b>Capacity:</b>	15	Gallons				
<b>Max Temp.:</b>	85	F				
<b>Max Press.:</b>	0	PSI				
<b>Weight:</b>	25	Lbs.				
<b>Voltage.:</b>	x	VAC	x	Phs	x	Hz
<b>FLA.:</b>	x	amps				

20	x	x
19	x	x
18	x	x
17	x	x
16	x	x
15	x	x
14	x	x
13	x	x
12	x	x
11	x	x
10	x	x
9	x	x
8	x	x
7	x	x
6	x	x
5	x	x
4	x	x
3	x	x
2	x	x
1	x	x

#	PART	DESCRIPTION
F	x	xx/xx/xx
E	x	xx/xx/xx
D	x	xx/xx/xx
C	x	xx/xx/xx
B	x	xx/xx/xx

REV	DESCRIPTION	DATE
-----	-------------	------

General Treatment Products, Inc.  
PO Box 8697, Brea, CA 92822  
Phone: 714) 257-9165 <http://www.gtpcompany.com>  
Fax: 714) 257-9215 [customerservice@gtpcompany.com](mailto:customerservice@gtpcompany.com)

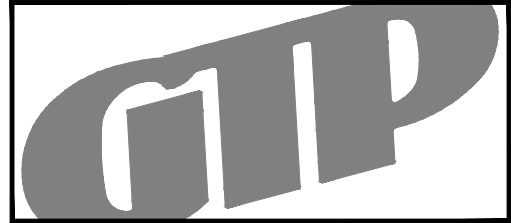
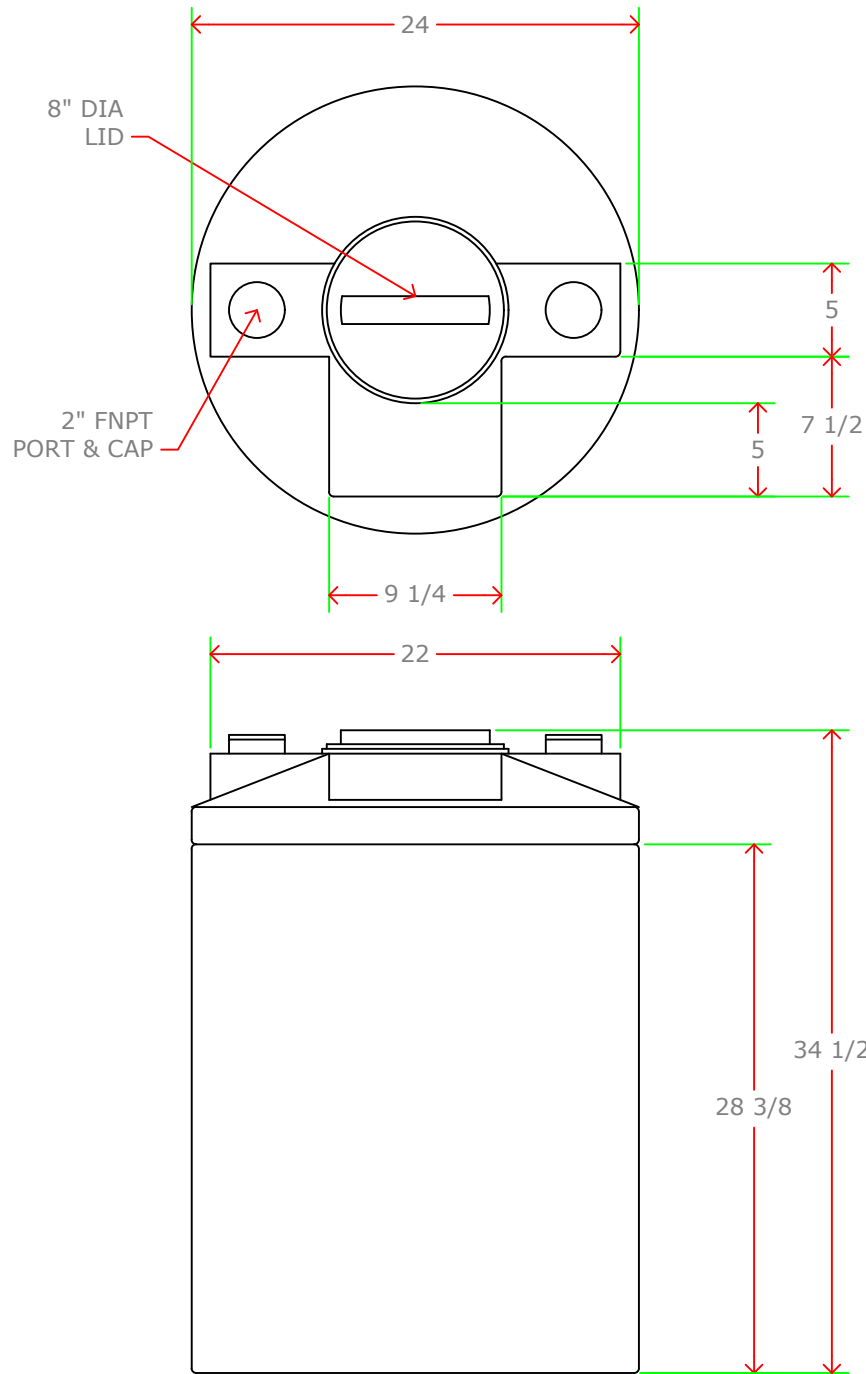
Date: 11/2018 Scale: NTS Rev.: A

Description:  
"DWE" DOUBLE WALL STORAGE TANK

Model:  
DWE15

NOTICE: This drawing and its contents are for the specific use of GTP customers only. It is not to be duplicated or copied without expressed written consent of General Treatment Products, Inc. We reserve the right to modify this drawing without notice.

NOTICE: This drawing and its contents are for the specific use of GTP customers only. It is not to be duplicated or copied without expressed written consent of General Treatment Products, Inc. We reserve the right to modify this drawing without notice.



**MATERIALS OF CONSTRUCTION:**  
POLYETHYLENE

<b>Capacity:</b>	35	Gallons				
<b>Max Temp.:</b>	85	F				
<b>Max Press.:</b>	0	PSI				
<b>Weight:</b>	36	Lbs.				
<b>Voltage.:</b>	x	VAC	x	Phs	x	Hz
<b>FLA.:</b>	x	amps				

20	x	x
19	x	x
18	x	x
17	x	x
16	x	x
15	x	x
14	x	x
13	x	x
12	x	x
11	x	x
10	x	x
9	x	x
8	x	x
7	x	x
6	x	x
5	x	x
4	x	x
3	x	x
2	x	x
1	x	x

#	PART	DESCRIPTION
F	x	xx/xx/xx
E	x	xx/xx/xx
D	x	xx/xx/xx
C	x	xx/xx/xx
B	x	xx/xx/xx

REV	DESCRIPTION	DATE
-----	-------------	------

General Treatment Products, Inc.  
 PO Box 8697, Brea, CA 92822  
 Phone: 714) 257-9165 <http://www.gtpcompany.com>  
 Fax: 714) 257-9215 [customerservice@gtpcompany.com](mailto:customerservice@gtpcompany.com)

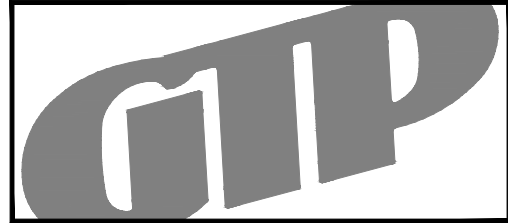
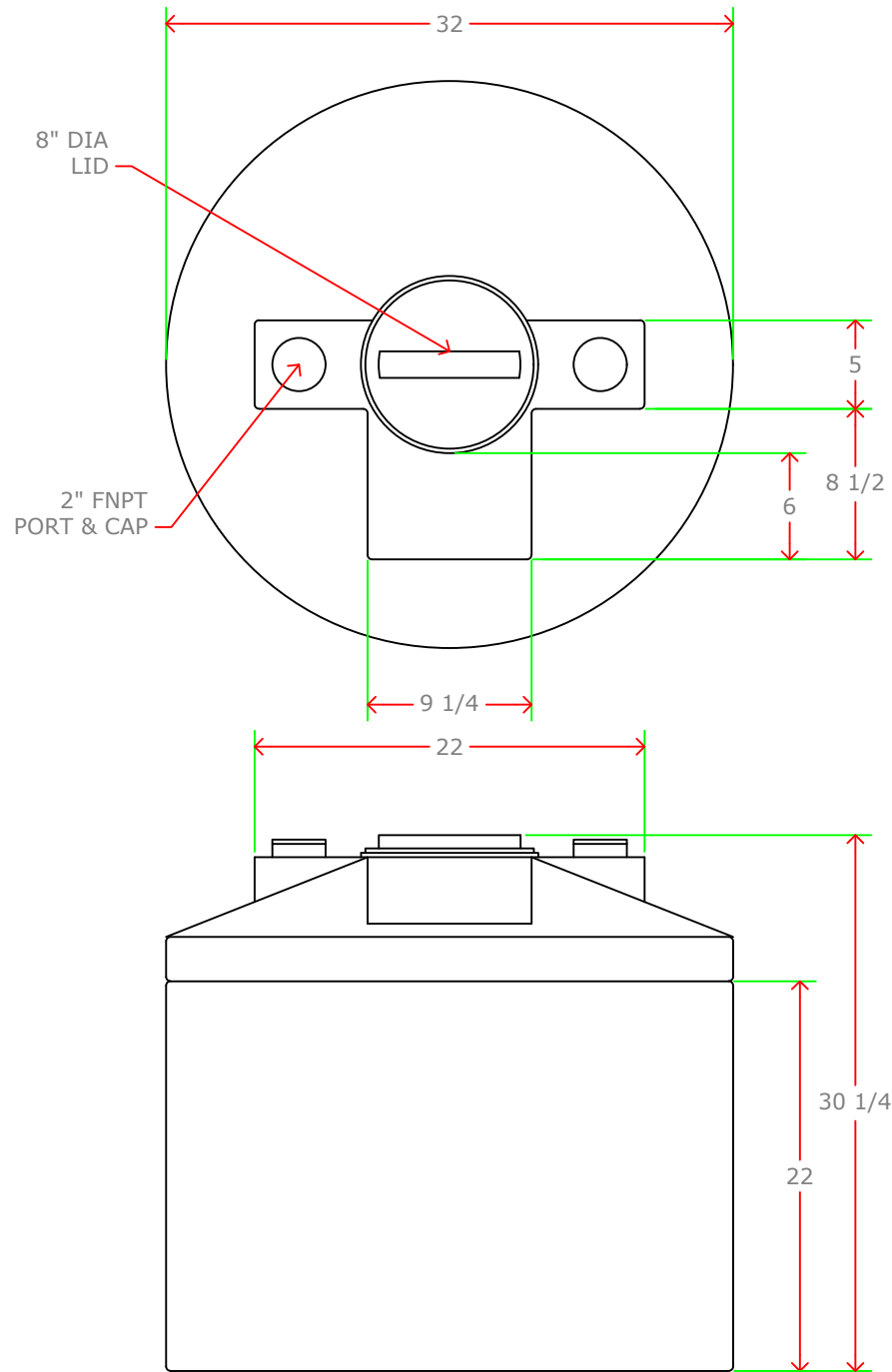
Date: 11/2018 Scale: NTS Rev.: A

Description:  
"DWE" DOUBLE WALL STORAGE TANK

Model:  
DWE35

NOTICE: This drawing and its contents are for the specific use of GTP customers only. It is not to be duplicated or copied without expressed written consent of General Treatment Products, Inc. We reserve the right to modify this drawing without notice.

NOTICE: This drawing and its contents are for the specific use of GTP customers only. It is not to be duplicated or copied without expressed written consent of General Treatment Products, Inc. We reserve the right to modify this drawing without notice.



**MATERIALS OF CONSTRUCTION:**  
POLYETHYLENE

<b>Capacity:</b>	60	Gallons				
<b>Max Temp.:</b>	85	F				
<b>Max Press.:</b>	0	PSI				
<b>Weight:</b>	46	Lbs.				
<b>Voltage.:</b>	x	VAC	x	Phs	x	Hz
<b>FLA.:</b>	x	amps				

20	x	x
19	x	x
18	x	x
17	x	x
16	x	x
15	x	x
14	x	x
13	x	x
12	x	x
11	x	x
10	x	x
9	x	x
8	x	x
7	x	x
6	x	x
5	x	x
4	x	x
3	x	x
2	x	x
1	x	x

#	PART	DESCRIPTION
F	x	xx/xx/xx
E	x	xx/xx/xx
D	x	xx/xx/xx
C	x	xx/xx/xx
B	x	xx/xx/xx

REV	DESCRIPTION	DATE
-----	-------------	------

General Treatment Products, Inc.  
 PO Box 8697, Brea, CA 92822  
 Phone: 714) 257-9165 <http://www.gtpcompany.com>  
 Fax: 714) 257-9215 [customerservice@gtpcompany.com](mailto:customerservice@gtpcompany.com)

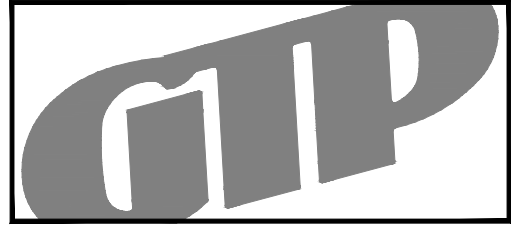
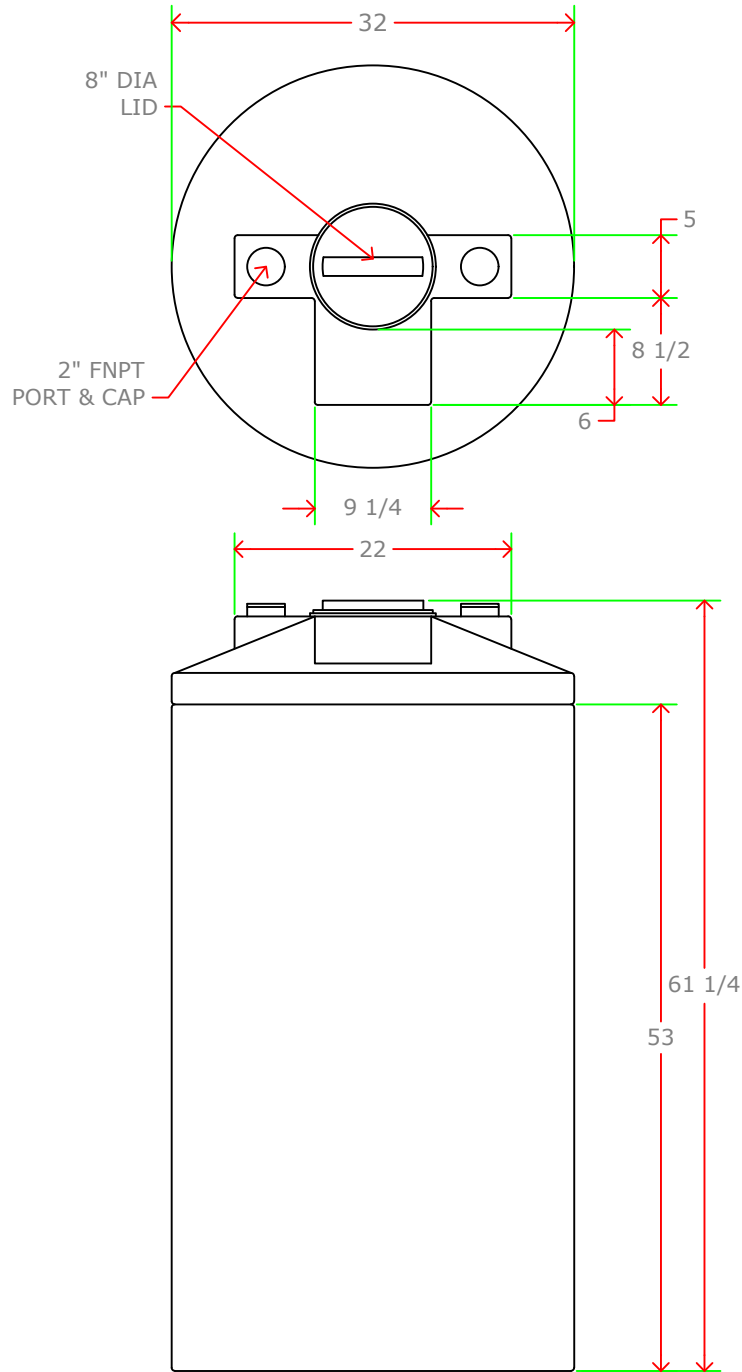
Date: 11/2018 Scale: NTS Rev.: A

Description:  
"DWE" DOUBLE WALL STORAGE TANK

Model:  
DWE60

NOTICE: This drawing and its contents are for the specific use of GTP customers only. It is not to be duplicated or copied without expressed written consent of General Treatment Products, Inc. We reserve the right to modify this drawing without notice.

NOTICE: This drawing and its contents are for the specific use of GTP customers only. It is not to be duplicated or copied without expressed written consent of General Treatment Products, Inc. We reserve the right to modify this drawing without notice.



**MATERIALS OF CONSTRUCTION:**  
POLYETHYLENE

<b>Capacity:</b>	110	Gallons				
<b>Max Temp.:</b>	85	F				
<b>Max Press.:</b>	0	PSI				
<b>Weight:</b>	76	Lbs.				
<b>Voltage.:</b>	x	VAC	x	Phs	x	Hz
<b>FLA.:</b>	x	amps				

20	x	x
19	x	x
18	x	x
17	x	x
16	x	x
15	x	x
14	x	x
13	x	x
12	x	x
11	x	x
10	x	x
9	x	x
8	x	x
7	x	x
6	x	x
5	x	x
4	x	x
3	x	x
2	x	x
1	x	x

#	PART	DESCRIPTION
F	x	xx/xx/xx
E	x	xx/xx/xx
D	x	xx/xx/xx
C	x	xx/xx/xx
B	x	xx/xx/xx

REV	DESCRIPTION	DATE
-----	-------------	------

General Treatment Products, Inc.  
 PO Box 8697, Brea, CA 92822  
 Phone: 714) 257-9165 <http://www.gtpcompany.com>  
 Fax: 714) 257-9215 [customerservice@gtpcompany.com](mailto:customerservice@gtpcompany.com)

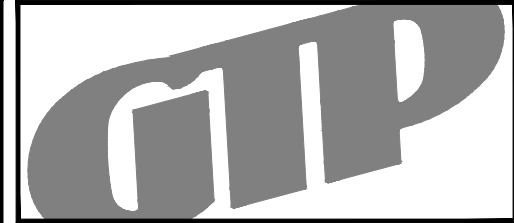
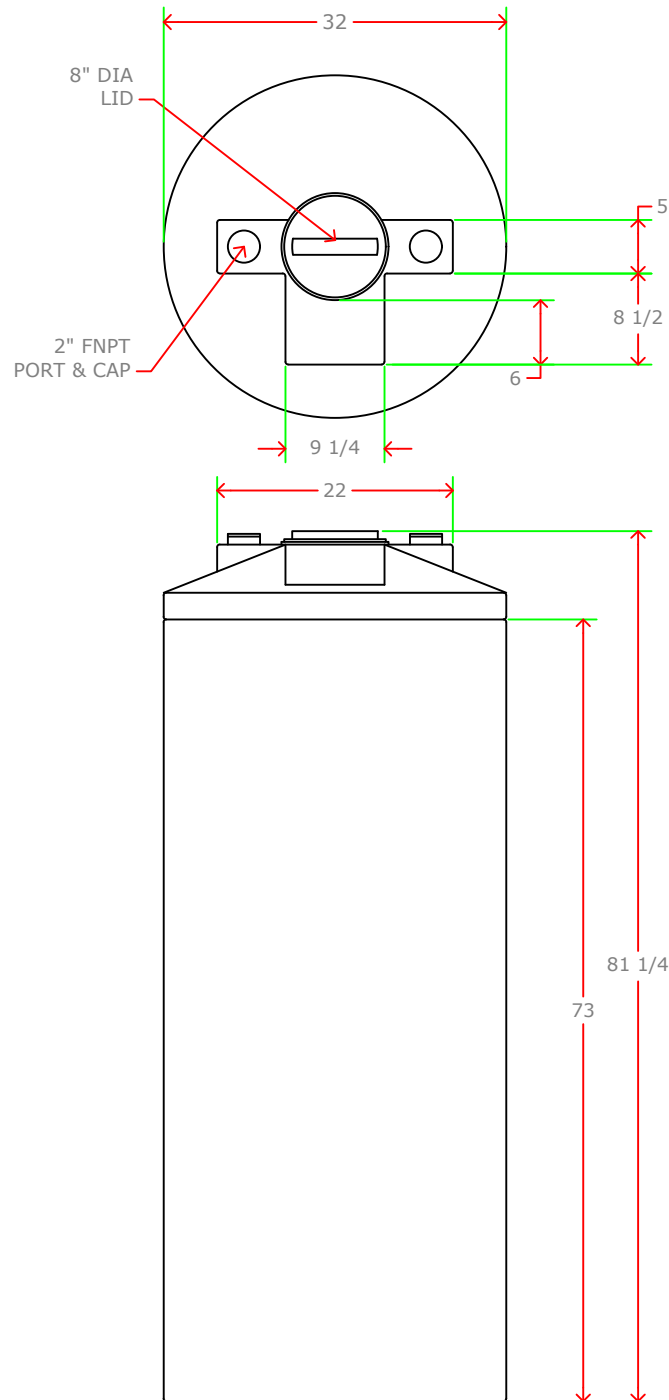
Date: 11/2018 Scale: NTS Rev.: A

Description:  
"DWE" DOUBLE WALL STORAGE TANK

Model:  
DWE110

NOTICE: This drawing and its contents are for the specific use of GTP customers only. It is not to be duplicated or copied without expressed written consent of General Treatment Products, Inc. We reserve the right to modify this drawing without notice.

NOTICE: This drawing and its contents are for the specific use of GTP customers only. It is not to be duplicated or copied without expressed written consent of General Treatment Products, Inc. We reserve the right to modify this drawing without notice.



**MATERIALS OF CONSTRUCTION:**  
POLYETHYLENE

<b>Capacity:</b>	165 Gallons
<b>Max Temp.:</b>	85 F
<b>Max Press.:</b>	0 PSI
<b>Weight:</b>	115 Lbs.
<b>Voltage.:</b>	x VAC x Phs x Hz
<b>FLA.:</b>	x amps

20	x	x
19	x	x
18	x	x
17	x	x
16	x	x
15	x	x
14	x	x
13	x	x
12	x	x
11	x	x
10	x	x
9	x	x
8	x	x
7	x	x
6	x	x
5	x	x
4	x	x
3	x	x
2	x	x
1	x	x

#	PART	DESCRIPTION
F	x	xx/xx/xx
E	x	xx/xx/xx
D	x	xx/xx/xx
C	x	xx/xx/xx
B	x	xx/xx/xx

REV	DESCRIPTION	DATE
-----	-------------	------

General Treatment Products, Inc.  
 PO Box 8697, Brea, CA 92822  
 Phone: 714) 257-9165 <http://www.gtpcompany.com>  
 Fax: 714) 257-9215 [customerservice@gtpcompany.com](mailto:customerservice@gtpcompany.com)

Date: 11/2018 Scale: NTS Rev.: A

Description:  
"DWE" DOUBLE WALL STORAGE TANK

Model:  
DWE165

NOTICE: This drawing and its contents are for the specific use of GTP customers only. It is not to be duplicated or copied without expressed written consent of General Treatment Products, Inc. We reserve the right to modify this drawing without notice.