

SPECIFICATIONS:  
x

MATERIALS OF CONSTRUCTION:  
PVC, BRASS, CARBON STEEL, BUNA N RUBBER

Capacity: x Gallons  
 Max Temp.: 85 F  
 Max Press.: 100 PSI  
 Weight: x Lbs.  
 Voltage.: 115 VAC 1 Phs 60 Hz  
 FLA.: x amps

20	x	x
19	x	x
18	x	x
17	x	x
16	x	x
15	x	x
14	x	x
13	x	x
12	x	x
11	x	x
10	x	x
9	x	x
8	x	x
7	N/A	RELIEF RETURN FITTING
6	CV05B	CHECK VALVE
5	PS-1	PRESSURE SWITCH
4	N/A	DISCHARGE MANIFOLD PIPE
3	PG100	PRESSURE GAUGE
2	BV05P	ISOLATION VALVE
1	RV05B	PRESSURE RELIEF VALVE
#	PART	DESCRIPTION

General Treatment Products, Inc.  
 PO Box 8697, Brea, CA 92822  
 Phone: 714) 257-9165  
 Fax: 714) 257-9215  
 customerservice@gtpcompany.com  
 http://www.gtpcompany.com

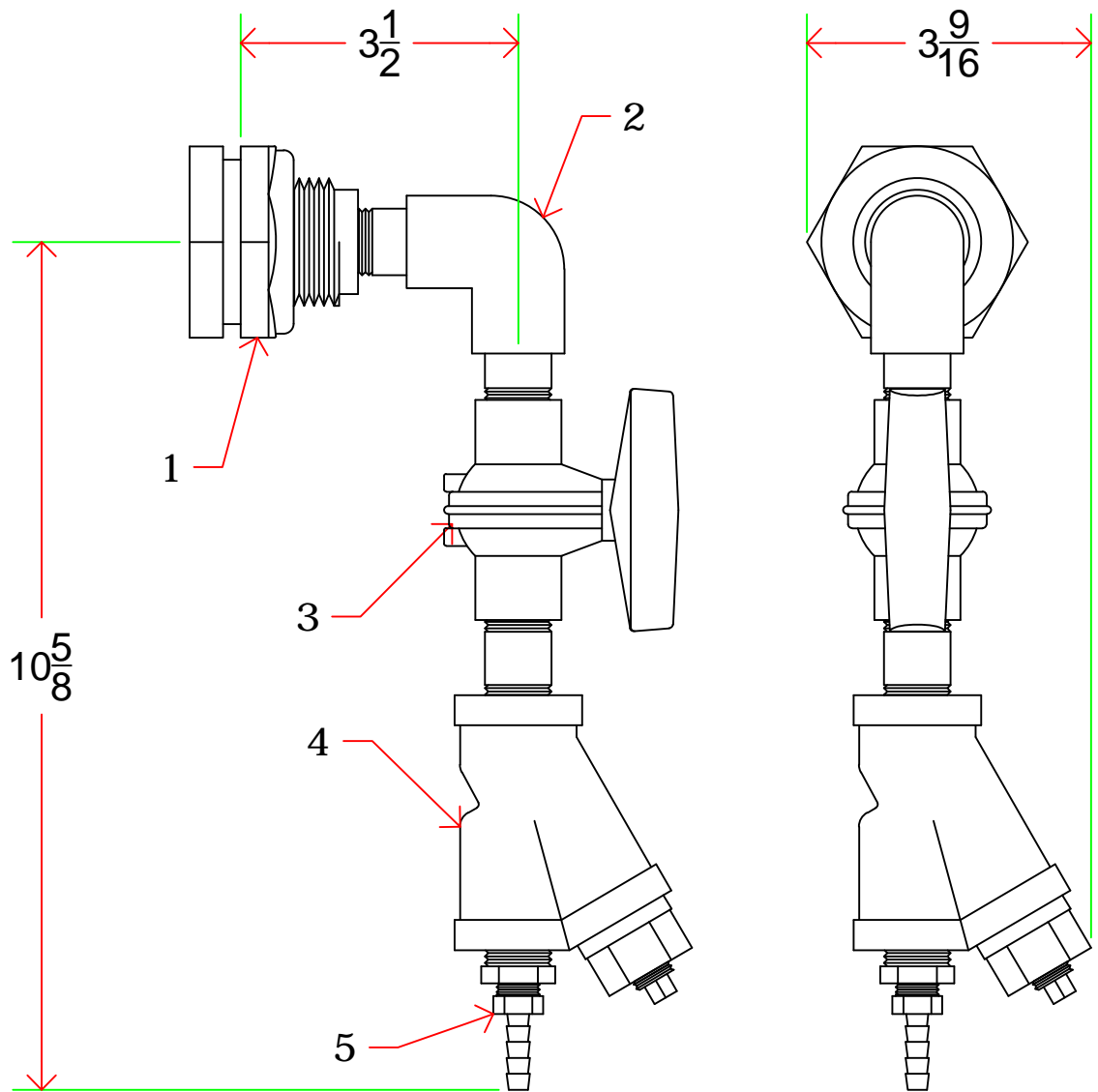
Drwn By: Jim C  
 Date: 03/01/12  
 Scale: NTS  
 Rev.: A



Description:  
DISCHARGE MANIFOLD ASM, 55GL  
 Model:  
0122001

D	x	xx/xx/xx	4)
C	x	xx/xx/xx	3)
B	x	xx/xx/xx	2)
Rev	Description	Date	Notes:

NOTICE  
 This drawing and it's contents are for the specific use of GTP customers only. It is not to be duplicated or copied without expressed written consent or General Treatment Products, Inc. We reserve the right to modify this drawing without notice.



SPECIFICATIONS:  
x

MATERIALS OF CONSTRUCTION:  
x

Capacity:	x	Gallons				
Max Temp.:	x	F				
Max Press.:	x	PSI				
Weight:	x	Lbs.				
Voltage.:	x	VAC	x	Phs	x	Hz
FLA.:	x	amps				

20	x	x
19	x	x
18	x	x
17	x	x
16	x	x
15	x	x
14	x	x
13	x	x
12	x	x
11	x	x
10	x	x
9	x	x
8	x	x
7	x	x
6	x	x
5	N/A	1/4 BRASS TUBING CONNECTOR
4	YS05C	1/2 CI Y-STRAINER
3	BV050P	1/2 PVC BALL VALVE
2	N/A	1/2 ELBOW CONNECTION
1	TA050PP	1/2 PP TANK ADAPTER
#	PART	DESCRIPTION

General Treatment Products, Inc.  
 PO Box 8697, Brea, CA 92822  
 Phone: 714) 257-9165  
 Fax: 714) 257-9215  
 customerservice@gtpcompany.com  
 http://www.gtpcompany.com

Drwn By: Jim C  
 Date: 03/01/12  
 Scale: NTS  
 Rev.: A

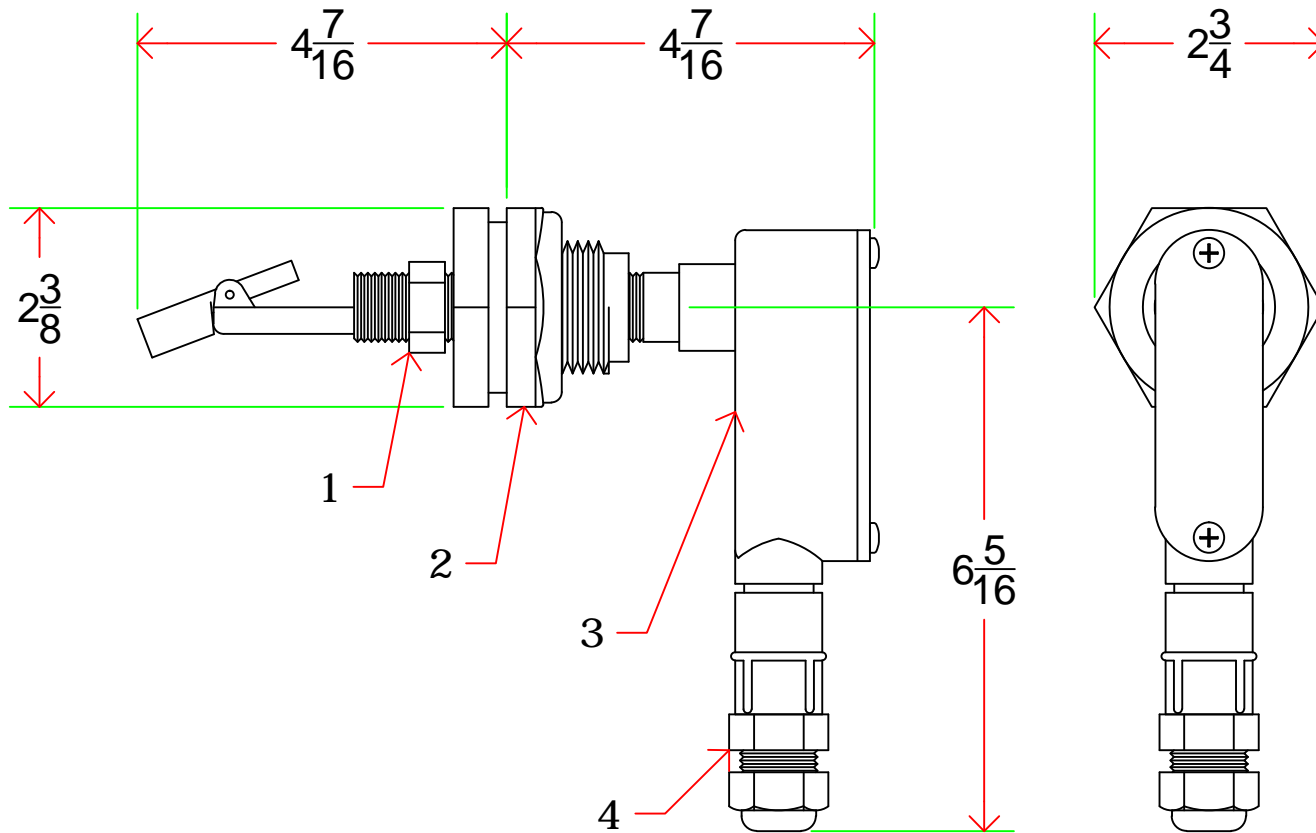


D	x	xx/xx/xx	4)
C	x	xx/xx/xx	3)
B	x	xx/xx/xx	2)
Rev	Description	Date	Notes:

Notes:  
 1)  
 2)  
 3)  
 4)

**NOTICE**  
 This drawing and it's contents are for the specific use of GTP customers only. It is not to be duplicated or copied without expressed written consent or General Treatment Products, Inc. We reserve the right to modify this drawing without notice.

Description:  
**GP SUCTION ASSEMBLY**  
 Model:  
**0122020**



SPECIFICATIONS:

x

MATERIALS OF CONSTRUCTION:  
Polypropylene, PVC

Capacity:	x	Gallons				
Max Temp.:	x	F				
Max Press.:	x	PSI				
Weight:	x	Lbs.				
Voltage.:	x	VAC	x	Phs	x	Hz
FLA.:	x	amps				

20	x	x
19	x	x
18	x	x
17	x	x
16	x	x
15	x	x
14	x	x
13	x	x
12	x	x
11	x	x
10	x	x
9	x	x
8	x	x
7	x	x
6	x	x
5	x	x
4	N/A	1/2 STRAIN RELIEF
3	N/A	1/2 SLB CONDUIT BOX
2	TA050PP	1/2 PP TANK ADAPTER
1	FH05PP	1/2NPT PP HORIZ FLOAT
#	PART	DESCRIPTION

General Treatment Products, Inc.

PO Box 8697, Brea, CA 92822  
 Phone: 714) 257-9165  
 Fax: 714) 257-9215  
 customerservice@gtpcompany.com  
 http://www.gtpcompany.com

Drwn By: Jim C  
 Date: xx/xx/xx  
 Scale: NTS  
 Rev.: A

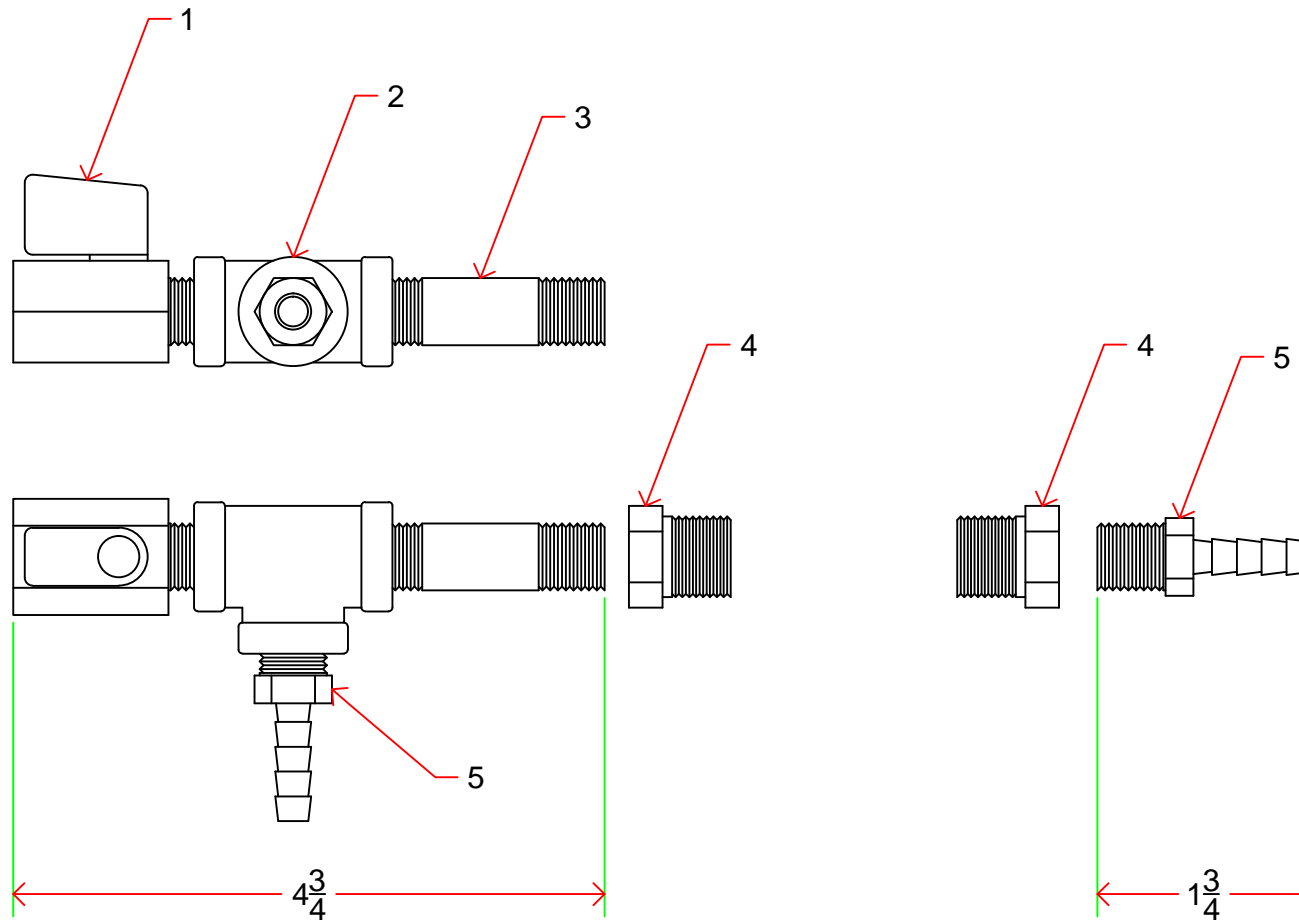


NOTICE

This drawing and it's contents are for the specific use of GTP customers only. It is not to be duplicated or copied without expressed written consent or General Treatment Products, Inc. We reserve the right to modify this drawing without notice.

Description:  
**GP FLOAT ASSEMBLY**  
 Model:  
**0122050**

D	x	xx/xx/xx	4)
C	x	xx/xx/xx	3)
B	x	xx/xx/xx	2)
Rev	Description	Date	Notes:



SPECIFICATIONS:

x

MATERIALS OF CONSTRUCTION:  
Cast Iron, Brass

Capacity:	x	Gallons				
Max Temp.:	x	F				
Max Press.:	x	PSI				
Weight:	x	Lbs.				
Voltage.:	x	VAC	x	Phs	x	Hz
FLA.:	x	amps				

20	x	x
19	x	x
18	x	x
17	x	x
16	x	x
15	x	x
14	x	x
13	x	x
12	x	x
11	x	x
10	x	x
9	x	x
8	x	x
7	x	x
6	x	x
5	N/A	1/4" BRASS HOSE CONNECTOR
4	N/A	3/8"x1/4" CI REDUCER (1/2HP PUMP)
3	N/A	1/4"x2" CS NIPPLE
2	N/A	1/4" CI TEE
1	BV02B	1/4" BRASS BALL VALVE
#	PART	DESCRIPTION

General Treatment Products, Inc.

PO Box 8697, Brea, CA 92822  
Phone: 714) 257-9165  
Fax: 714) 257-9215  
customerservice@gtpcompany.com  
http://www.gtpcompany.com

Drwn By: Jim C  
Date: xx/xx/xx  
Scale: NTS  
Rev.: A



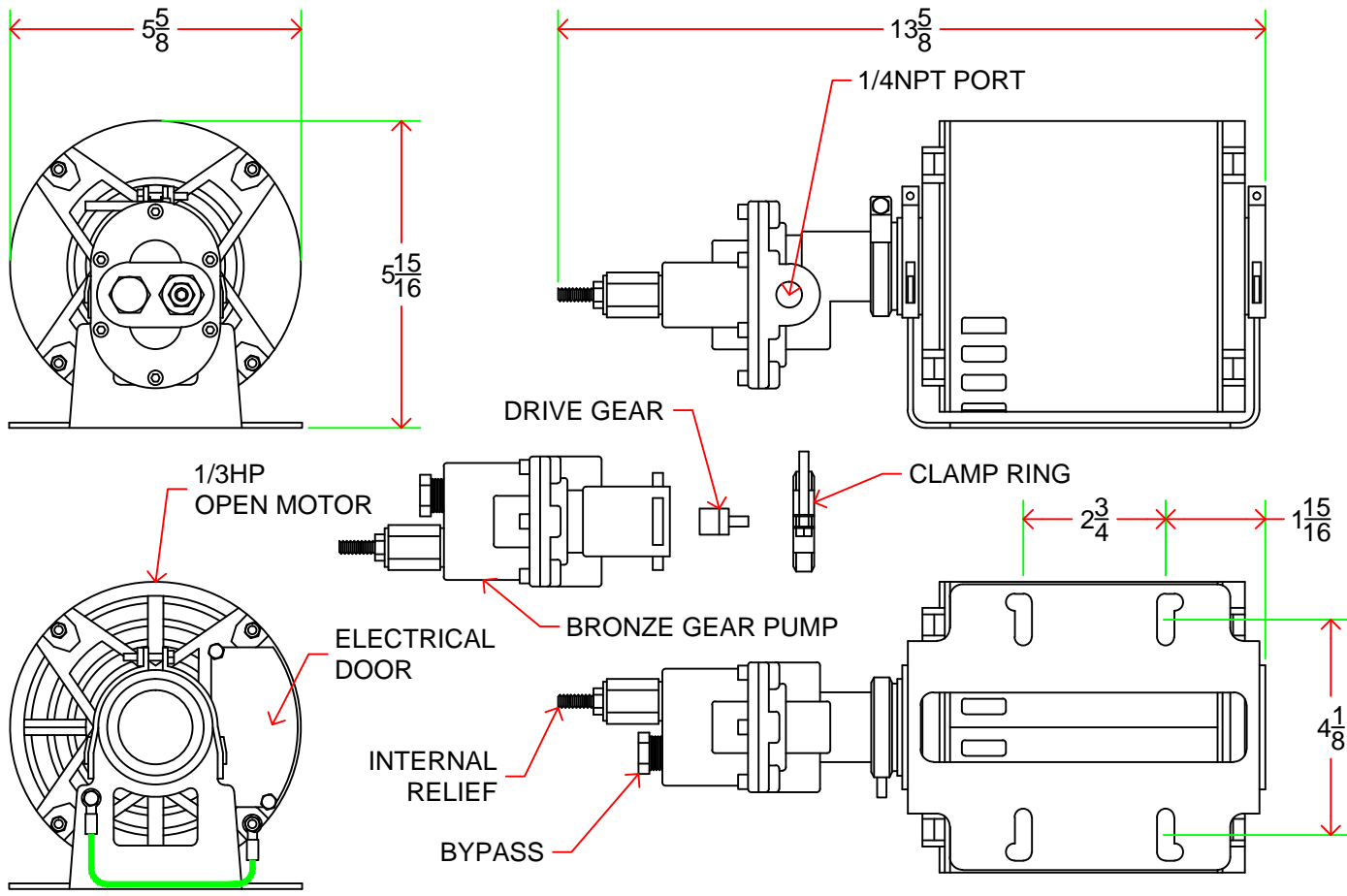
Description:  
GP GLYCOL PUMP DRAIN ASSEMBLY

Model:  
0122060

D	x	xx/xx/xx	4)
C	x	xx/xx/xx	3)
B	x	xx/xx/xx	2)
Rev	Description	Date	Notes:

1)

**NOTICE**  
This drawing and its contents are for the specific use of GTP customers only. It is not to be duplicated or copied without expressed written consent or General Treatment Products, Inc. We reserve the right to modify this drawing without notice.



**SPECIFICATIONS:**

x
---

**MATERIALS OF CONSTRUCTION:**

x
---

Capacity:	x	Gallons				
Max Temp.:	x	F				
Max Press.:	x	PSI				
Weight:	x	Lbs.				
Voltage.:	x	VAC	x	Phs	x	Hz
FLA.:	x	amps				

20	x	x
19	x	x
18	x	x
17	x	x
16	x	x
15	x	x
14	x	x
13	x	x
12	x	x
11	x	x
10	x	x
9	x	x
8	x	x
7	x	x
6	x	x
5	x	x
4	x	x
3	x	x
2	x	x
1	x	x
#	PART	DESCRIPTION

**General Treatment Products, Inc.**  
 PO Box 8697, Brea, CA 92822  
 Phone: 714) 257-9165  
 Fax: 714) 257-9215  
 customerservice@gtpcompany.com  
 http://www.gtpcompany.com

Drwn By:	Jim C
Date:	03/01/12
Scale:	NTS
Rev.:	A

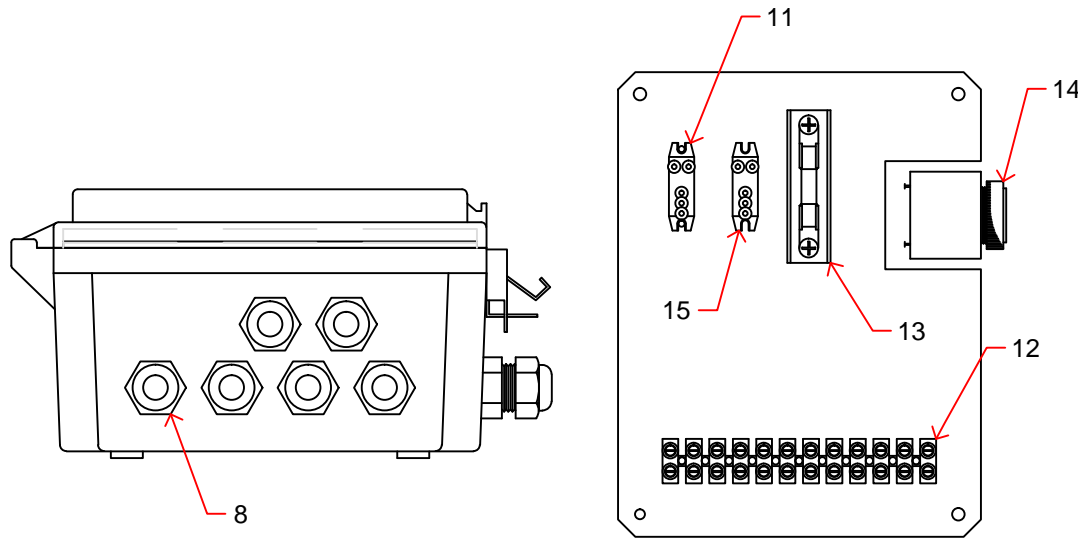
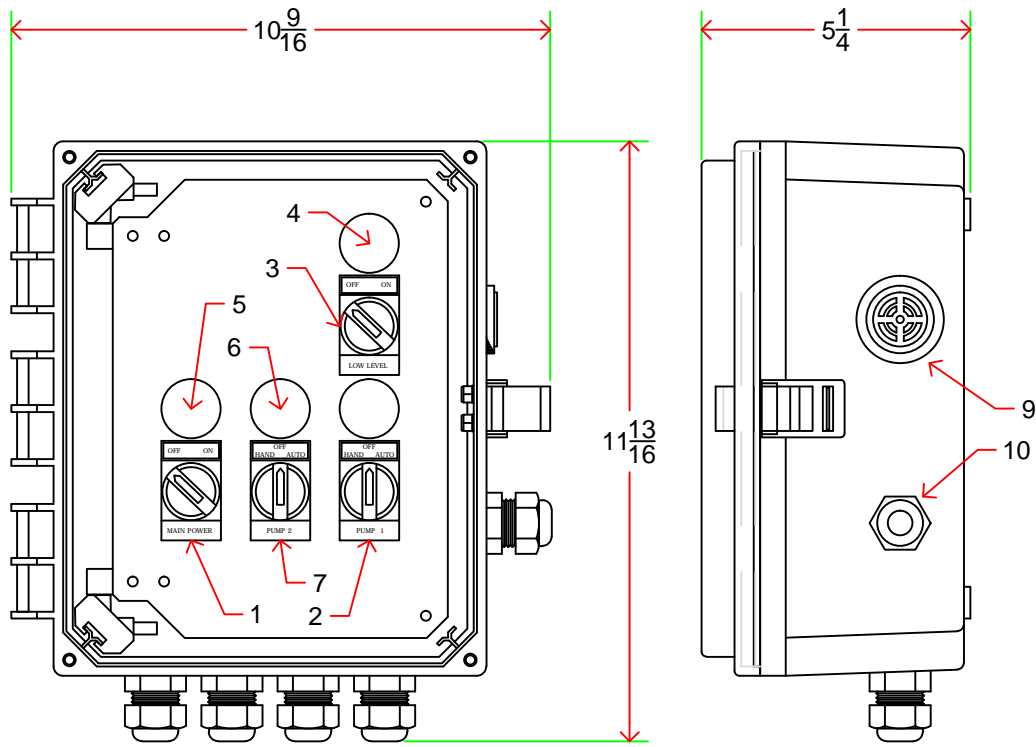


Description:  
**GP 1/3HP GLYCOL FEED PUMP**  
 Model:  
**GP1.3E**

D	x	xx/xx/xx	4)
C	x	xx/xx/xx	3)
B	x	xx/xx/xx	2)
Rev	Description	Date	Notes:

**NOTICE**  
 This drawing and its contents are for the specific use of GTP customers only. It is not to be duplicated or copied without expressed written consent or General Treatment Products, Inc. We reserve the right to modify this drawing without notice.

Description:  
**GP 1/3HP GLYCOL FEED PUMP**  
 Model:  
**GP1.3E**



SPECIFICATIONS:

x

MATERIALS OF CONSTRUCTION:  
Polycarbonate

Capacity:	x	Gallons
Max Temp.:	x	F
Max Press.:	x	PSI
Weight:	x	Lbs.
Voltage.:	115	VAC 1 Phs 60 Hz
FLA.:	15	amps

20	x	x
19	x	x
18	x	x
17	x	x
16	x	x
15	RLY-5PIN	DRY CONTACT RELAY (OPTNL)
14	AUD-95DB	95DB AUDIBLE ALARM (OPTNL)
13	FSE-15A	15AMP FUSE & HOLDER
12	N/A	12 POST TERMINAL BLOCK
11	RLY-5PIN	LOW LEVEL RELAY
10	N/A	DRY CONTACT WIRE (OPTNL)
9	AUD-95DB	95DB AUDIBLE ALARM (OPTNL)
8	N/A	1/2 STRAIN RELIEF
7	SW-3P	PUMP 2, 3-POS SWITCH (OPTNL)
6	LGT-G	PUMP INDICATOR LIGHTS, GREEN
5	LGT-G	MAIN POWER LIGHT, GREEN
4	LGT-R	LOW LEVEL LIGHT, RED
3	SW-2P	LOW LEVEL, 2-POS SWITCH (OPTNL)
2	SW-3P	PUMP 1, 3-POS SWITCH
1	SW-2P	MAIN POWER, 2-POS SWITCH
#	PART	DESCRIPTION

General Treatment Products, Inc.

PO Box 8697, Brea, CA 92822  
Phone: 714) 257-9165  
Fax: 714) 257-9215  
customerservice@gtppcompany.com  
http://www.gtppcompany.com

Drwn By: Jim C  
Date: 03/01/12  
Scale: NTS  
Rev.: A



Rev	Description	Date
D	x	xx/xx/xx
C	x	xx/xx/xx
B	x	xx/xx/xx

4)	xx/xx/xx
3)	xx/xx/xx
2)	xx/xx/xx
1) SHOWN WITH OPTIONAL FEATURES (DUAL PUMP, AL & DC)	
Notes:	

**NOTICE**  
This drawing and it's contents are for the specific use of GTP customers only. It is not to be duplicated or copied without expressed written consent or General Treatment Products, Inc. We reserve the right to modify this drawing without notice.

Description:  
**GP CONTROL PANEL**  
Model:  
**CPE**