

MATERIALS OF CONSTRUCTION:
 POLYETHYLENE, CARBON STEEL, BRASS,
 DUCTILE IRON, EPDM

Capacity:	15	Gallons
Max Temp.:	85	F
Max Press.:	120	PSI
Weight:	108	Lbs.
Voltage.:	115 VAC	1 Phs 60 Hz
FLA.:	8.6	amps

20	x	x
19	x	x
18	x	x
17	x	x
16	x	x
15	x	x
14	x	x
13	x	x
12	x	x
11	x	x
10	x	x
9	x	x
8	x	x
7	x	x
6	x	x
5	x	x
4	x	x
3	x	x
2	x	x
1	x	x

#	PART	DESCRIPTION
F	x	xx/xx/xx
E	x	xx/xx/xx
D	x	xx/xx/xx
C	x	xx/xx/xx
B	x	xx/xx/xx

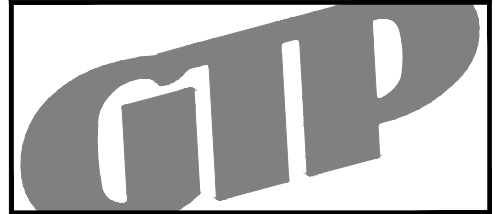
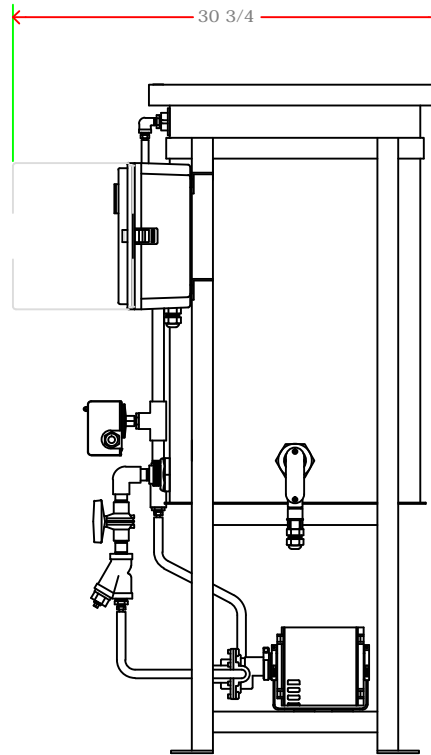
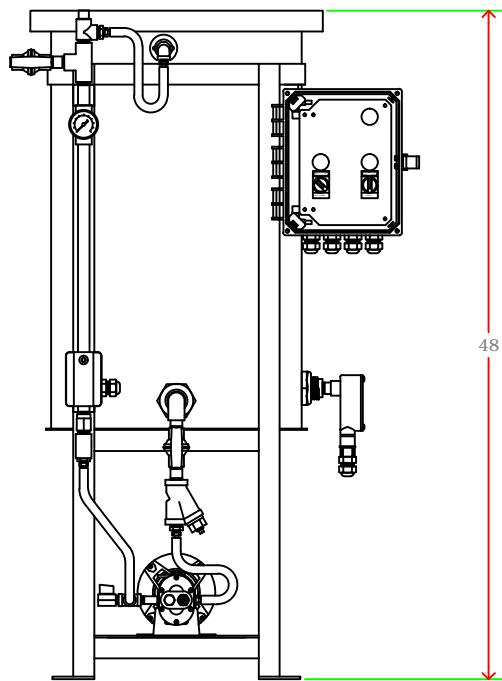
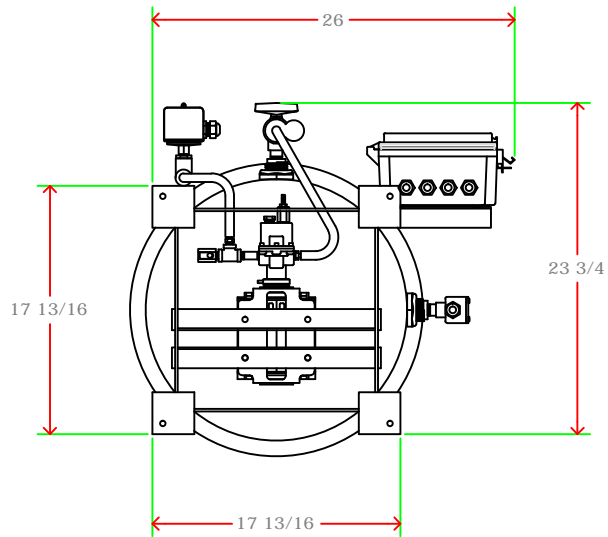
REV	DESCRIPTION	DATE
-----	-------------	------

General Treatment Products, Inc.
 PO Box 8697, Brea, CA 92822
 Phone: 714) 257-9165 <http://www.gtpcompany.com>
 Fax: 714) 257-9215 customerservice@gtpcompany.com

Date: 02/01/14 Scale: NTS Rev.: A

Description:
INDUSTRIAL GLYCOL FEED PACKAGE

Model:
GP15-E4-1



MATERIALS OF CONSTRUCTION:
 POLYETHYLENE, CARBON STEEL, BRASS
 DUCTILE IRON, EPDM

Capacity:	30	Gallons
Max Temp.:	85	F
Max Press.:	100	PSI
Weight:	129	Lbs.
Voltage.:	115 VAC	1 Phs 60 Hz
FLA.:	8.6	amps

20	x	x
19	x	x
18	x	x
17	x	x
16	x	x
15	x	x
14	x	x
13	x	x
12	x	x
11	x	x
10	x	x
9	x	x
8	x	x
7	x	x
6	x	x
5	x	x
4	x	x
3	x	x
2	x	x
1	x	x

#	PART	DESCRIPTION
F	x	xx/xx/xx
E	x	xx/xx/xx
D	x	xx/xx/xx
C	x	xx/xx/xx
B	x	xx/xx/xx

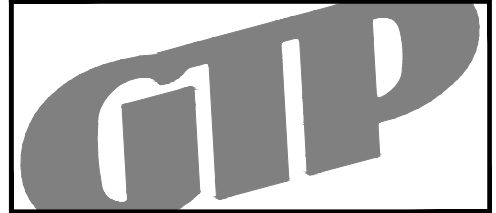
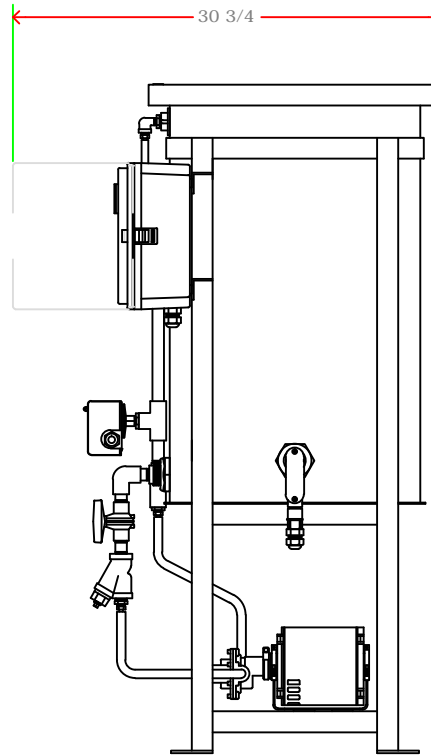
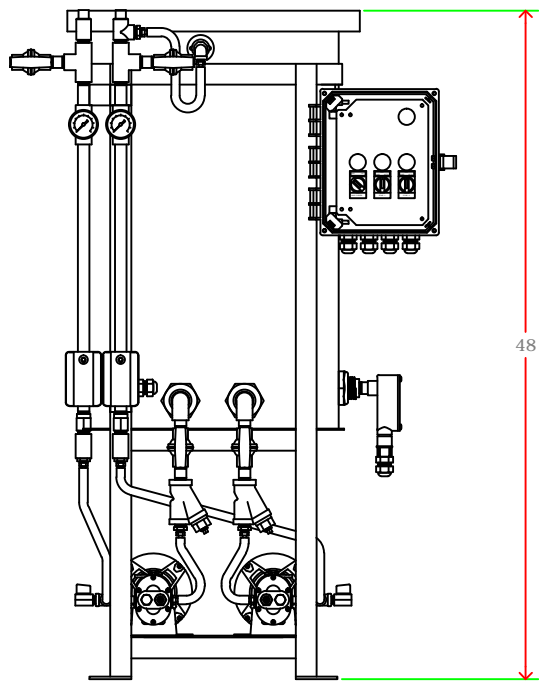
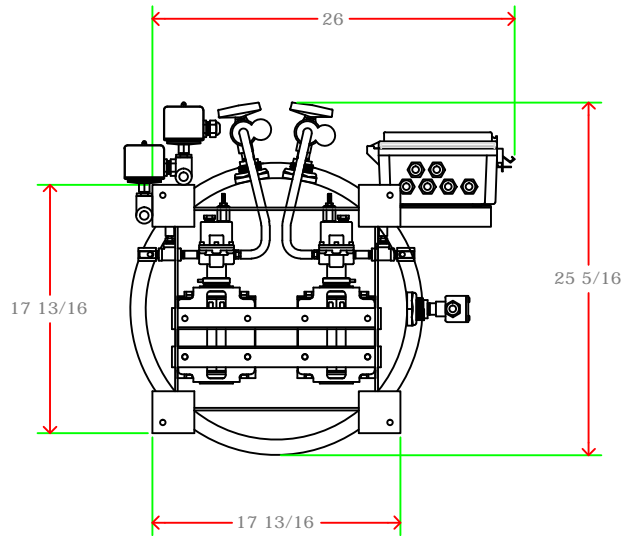
REV	DESCRIPTION	DATE
-----	-------------	------

General Treatment Products, Inc.
 PO Box 8697, Brea, CA 92822
 Phone: 714) 257-9165 <http://www.gtpcompany.com>
 Fax: 714) 257-9215 customerservice@gtpcompany.com

Date: 1/1/15 Scale: NTS Rev.: A

Description:
INDUSTRIAL GLYCOL FEED PACKAGE

Model:
GP30-E4-1



MATERIALS OF CONSTRUCTION:
 POLYETHYLENE, CARBON STEEL, BRASS
 DUCTILE IRON, EPDM

Capacity: 30 Gallons
 Max Temp.: 85 F
 Max Press.: 100 PSI
 Weight: 168 Lbs.
 Voltage.: 115 VAC 1 Phs 60 Hz
 FLA.: 17.2 amps

20	x	x
19	x	x
18	x	x
17	x	x
16	x	x
15	x	x
14	x	x
13	x	x
12	x	x
11	x	x
10	x	x
9	x	x
8	x	x
7	x	x
6	x	x
5	x	x
4	x	x
3	x	x
2	x	x
1	x	x

#	PART	DESCRIPTION
F	x	xx/xx/xx
E	x	xx/xx/xx
D	x	xx/xx/xx
C	x	xx/xx/xx
B	x	xx/xx/xx

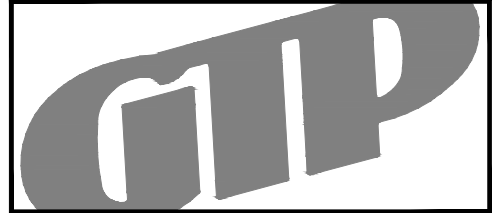
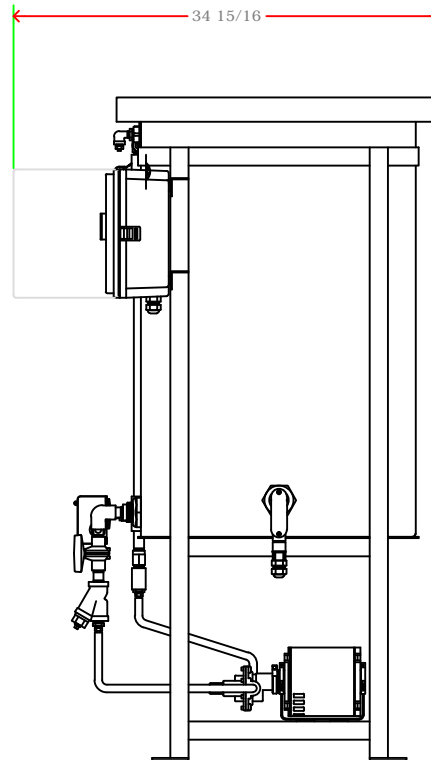
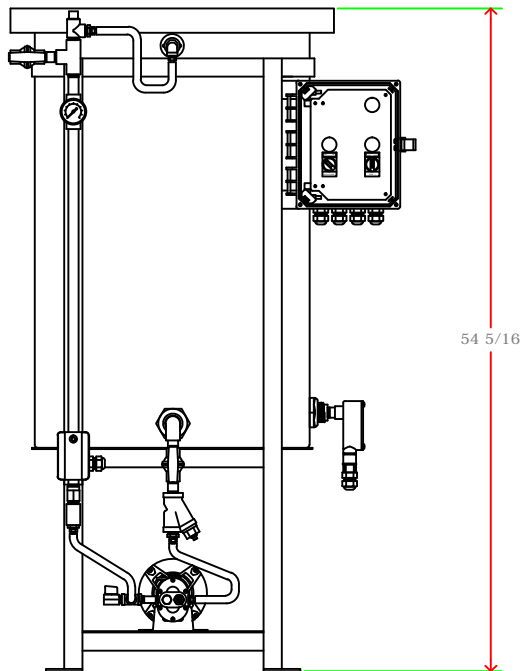
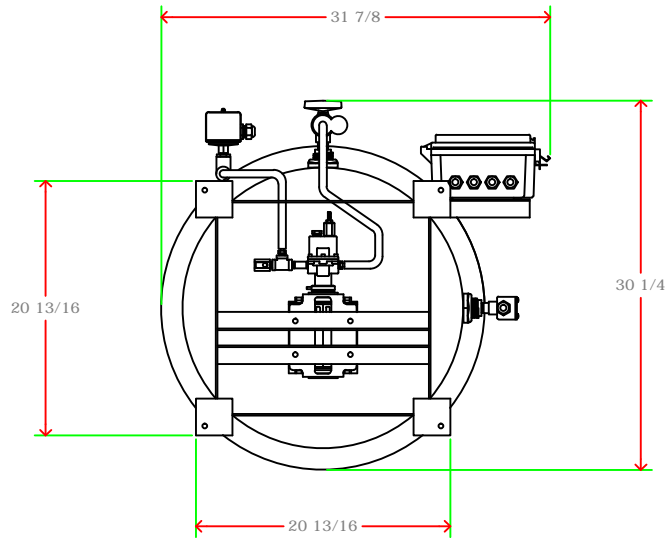
REV	DESCRIPTION	DATE

General Treatment Products, Inc.
 PO Box 8697, Brea, CA 92822
 Phone: 714) 257-9165 <http://www.gtpcompany.com>
 Fax: 714) 257-9215 customerservice@gtpcompany.com

Date: 1/1/15 Scale: NTS Rev.: A

Description:
INDUSTRIAL GLYCOL FEED PACKAGE

Model:
GP30-DE4-1



MATERIALS OF CONSTRUCTION:
 POLYETHYLENE, CARBON STEEL, BRASS,
 CAST IRON, EPDM

Capacity:	55	Gallons
Max Temp.:	85	F
Max Press.:	100	PSI
Weight:	148	Lbs.
Voltage.:	115 VAC	1 Phs 60 Hz
FLA.:	8.6	amps

20	x	x
19	x	x
18	x	x
17	x	x
16	x	x
15	x	x
14	x	x
13	x	x
12	x	x
11	x	x
10	x	x
9	x	x
8	x	x
7	x	x
6	x	x
5	x	x
4	x	x
3	x	x
2	x	x
1	x	x

#	PART	DESCRIPTION
F	x	xx/xx/xx
E	x	xx/xx/xx
D	x	xx/xx/xx
C	x	xx/xx/xx
B	x	xx/xx/xx

REV	DESCRIPTION	DATE
-----	-------------	------

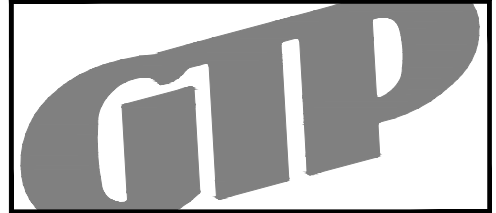
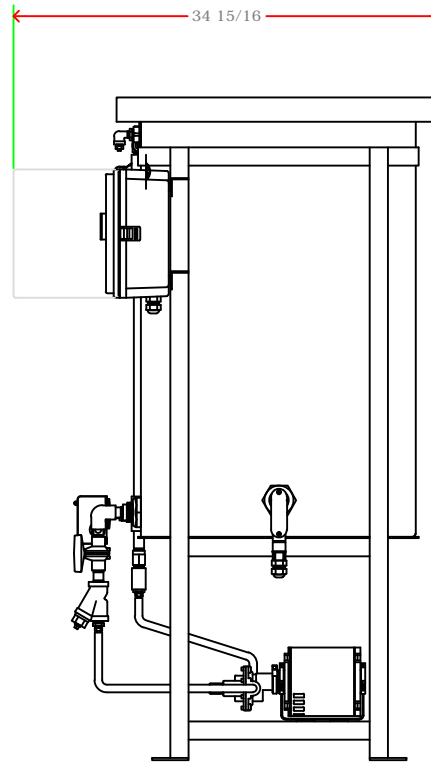
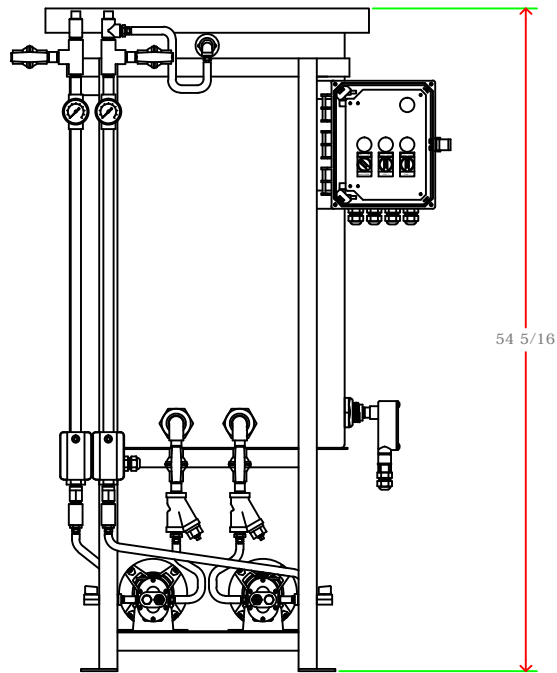
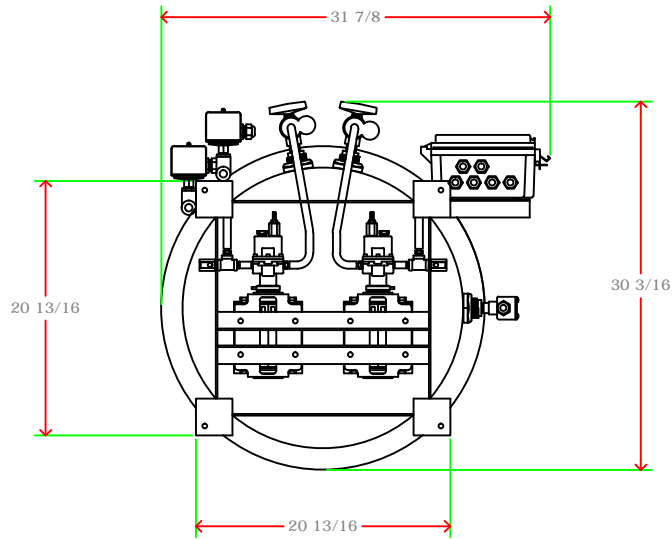
General Treatment Products, Inc.
 PO Box 8697, Brea, CA 92822
 Phone: 714) 257-9165 <http://www.gtpcompany.com>
 Fax: 714) 257-9215 customerservice@gtpcompany.com

Date: 1/1/15 Scale: NTS Rev.: A

Description:
INDUSTRIAL GLYCOL FEED PACKAGE

Model:
GP55-E4-1

NOTICE: This drawing and it's contents are for the specific use of GTP customers only. It is not to be duplicated or copied without expressed written concent or General Treatment Products, Inc. We reserve the right to modify this drawing without notice.



MATERIALS OF CONSTRUCTION:
 POLYETHYLENE, CARBON STEEL, BRASS,
 CAST IRON, EPDM

Capacity: 55 Gallons
 Max Temp.: 85 F
 Max Press.: 100 PSI
 Weight: 187 Lbs.
 Voltage.: 115 VAC 1 Phs 60 Hz
 FLA.: 17.2 amps

20	x	x
19	x	x
18	x	x
17	x	x
16	x	x
15	x	x
14	x	x
13	x	x
12	x	x
11	x	x
10	x	x
9	x	x
8	x	x
7	x	x
6	x	x
5	x	x
4	x	x
3	x	x
2	x	x
1	x	x

#	PART	DESCRIPTION
F	x	xx/xx/xx
E	x	xx/xx/xx
D	x	xx/xx/xx
C	x	xx/xx/xx
B	x	xx/xx/xx

REV DESCRIPTION DATE

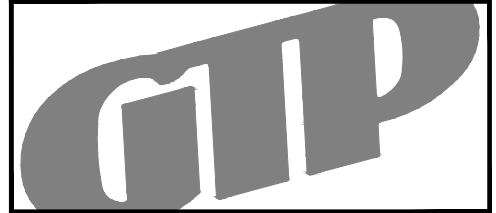
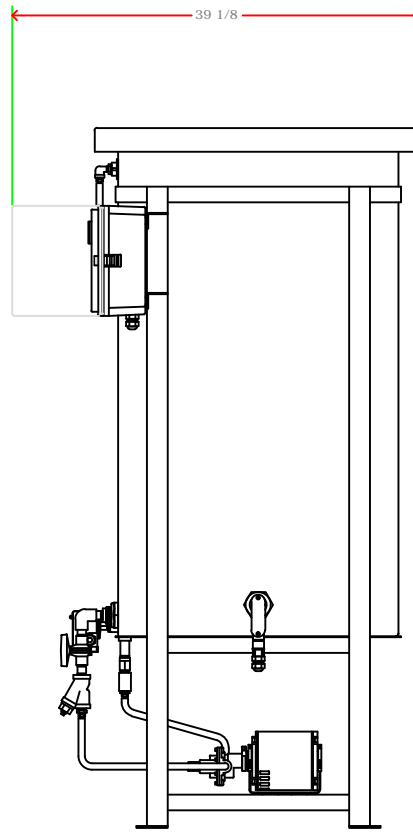
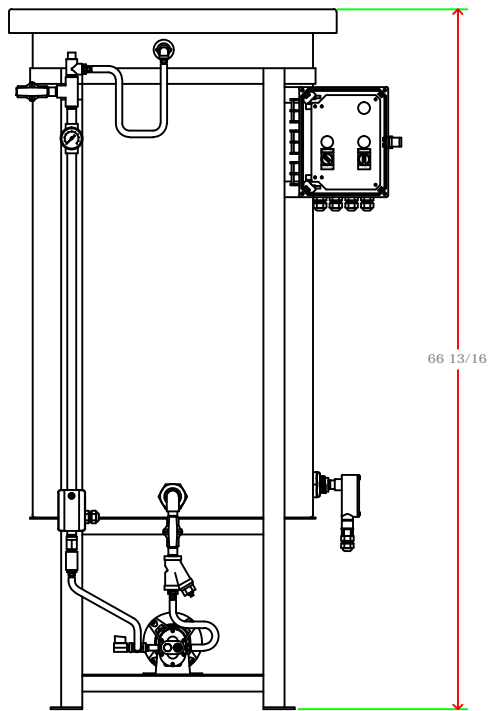
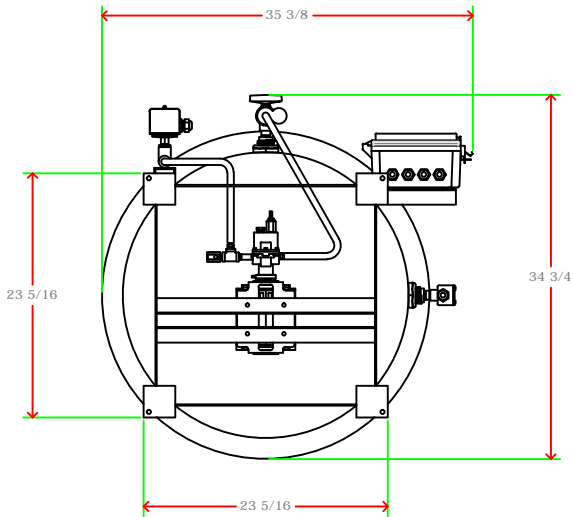
General Treatment Products, Inc.
 PO Box 8697, Brea, CA 92822
 Phone: 714) 257-9165 <http://www.gtpcompany.com>
 Fax: 714) 257-9215 customerservice@gtpcompany.com

Date: 1/1/15 Scale: NTS Rev.: A

Description:
INDUSTRIAL GLYCOL FEED PACKAGE

Model:
GP55-DE4-1

NOTICE: This drawing and it's contents are for the specific use of GTP customers only. It is not to be duplicated or copied without expressed written concent or General Treatment Products, Inc. We reserve the right to modify this drawing without notice.



MATERIALS OF CONSTRUCTION:
 POLYETHYLENE, CARBON STEEL, BRASS,
 DUCTILE IRON, EPDM

Capacity: 100 Gallons
 Max Temp.: 85 F
 Max Press.: 100 PSI
 Weight: 215 Lbs.
 Voltage.: 115 VAC 1 Phs 60 Hz
 FLA.: 8.6 amps

20	x	x
19	x	x
18	x	x
17	x	x
16	x	x
15	x	x
14	x	x
13	x	x
12	x	x
11	x	x
10	x	x
9	x	x
8	x	x
7	x	x
6	x	x
5	x	x
4	x	x
3	x	x
2	x	x
1	x	x

#	PART	DESCRIPTION
F	x	xx/xx/xx
E	x	xx/xx/xx
D	x	xx/xx/xx
C	x	xx/xx/xx
B	x	xx/xx/xx

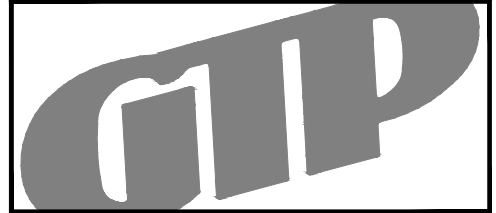
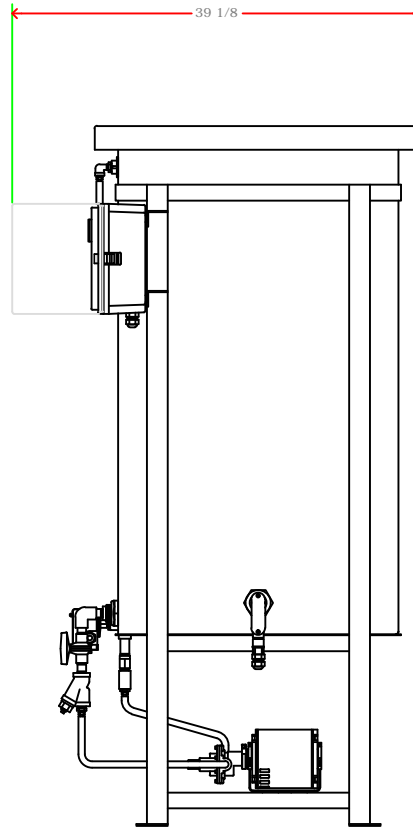
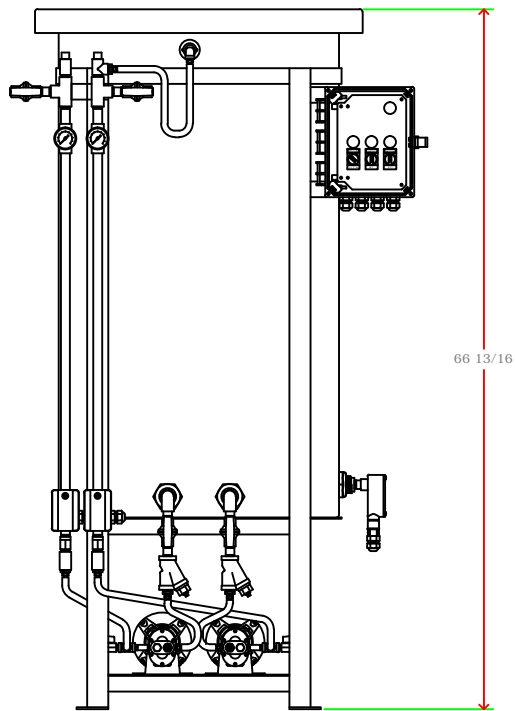
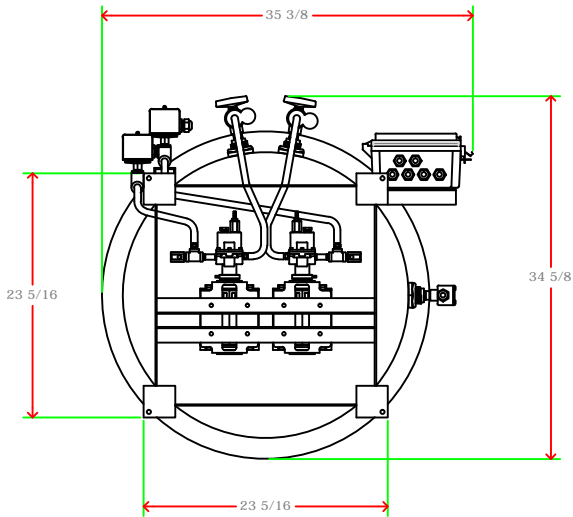
REV	DESCRIPTION	DATE
-----	-------------	------

General Treatment Products, Inc.
 PO Box 8697, Brea, CA 92822
 Phone: 714) 257-9165 <http://www.gtpcompany.com>
 Fax: 714) 257-9215 customerservice@gtpcompany.com

Date: 1/1/15 Scale: NTS Rev.: A

Description:
INDUSTRIAL GLYCOL FEED PACKAGE

Model:
GP100-E4-1



MATERIALS OF CONSTRUCTION:
 POLYETHYLENE, CARBON STEEL, BRASS,
 DUCTILE IRON, EPDM

Capacity: 100 Gallons
 Max Temp.: 85 F
 Max Press.: 100 PSI
 Weight: 253 Lbs.
 Voltage.: 115 VAC 1 Phs 60 Hz
 FLA.: 17.2 amps

20	x	x
19	x	x
18	x	x
17	x	x
16	x	x
15	x	x
14	x	x
13	x	x
12	x	x
11	x	x
10	x	x
9	x	x
8	x	x
7	x	x
6	x	x
5	x	x
4	x	x
3	x	x
2	x	x
1	x	x

#	PART	DESCRIPTION
F	x	xx/xx/xx
E	x	xx/xx/xx
D	x	xx/xx/xx
C	x	xx/xx/xx
B	x	xx/xx/xx

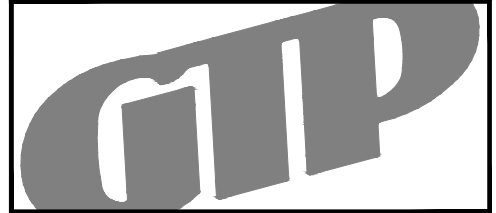
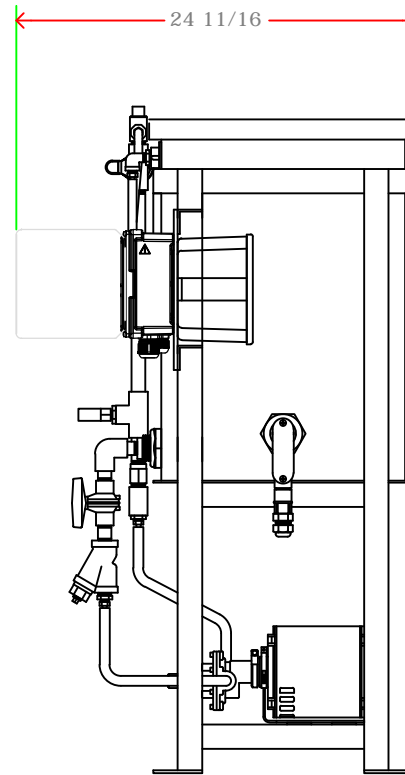
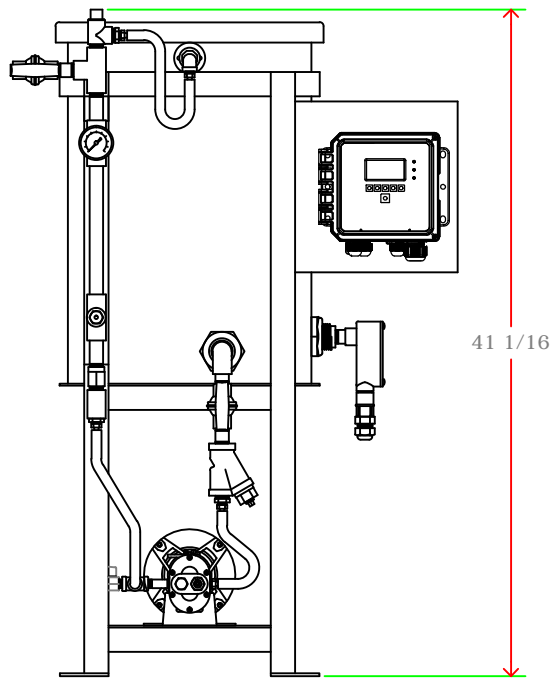
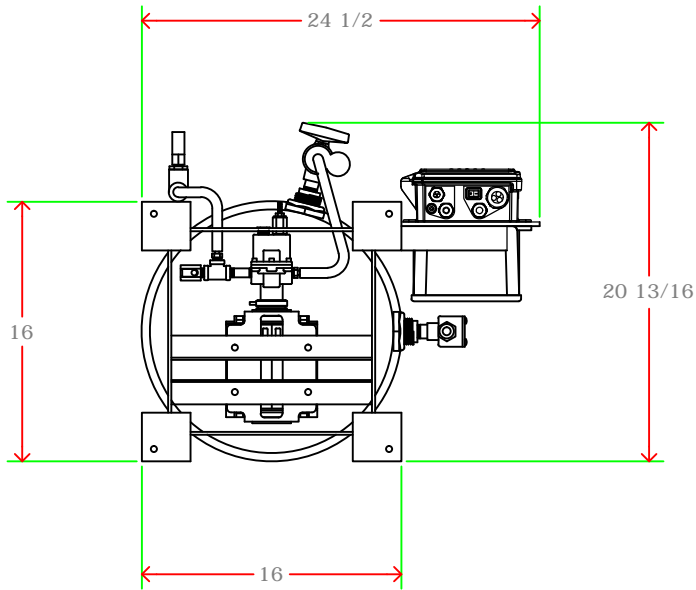
REV	DESCRIPTION	DATE

General Treatment Products, Inc.
 PO Box 8697, Brea, CA 92822
 Phone: 714) 257-9165 <http://www.gtpcompany.com>
 Fax: 714) 257-9215 customerservice@gtpcompany.com

Date: 1/1/15 Scale: NTS Rev.: A

Description:
INDUSTRIAL GLYCOL FEED PACKAGE

Model:
GP100-DE4-1



MATERIALS OF CONSTRUCTION:
 POLYETHYLENE, CARBON STEEL, BRASS,
 DUCTILE IRON, EPDM

Capacity:	15	Gallons
Max Temp.:	85	F
Max Press.:	120	PSI
Weight:	108	Lbs.
Voltage.:	115 VAC	1 Phs 60 Hz
FLA.:	8.6	amps

20	x	x
19	x	x
18	x	x
17	x	x
16	x	x
15	x	x
14	x	x
13	x	x
12	x	x
11	x	x
10	x	x
9	x	x
8	x	x
7	x	x
6	x	x
5	x	x
4	x	x
3	x	x
2	x	x
1	x	x

#	PART	DESCRIPTION
F	x	xx/xx/xx
E	x	xx/xx/xx
D	x	xx/xx/xx
C	x	xx/xx/xx
B	x	xx/xx/xx

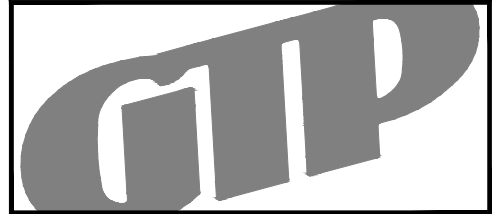
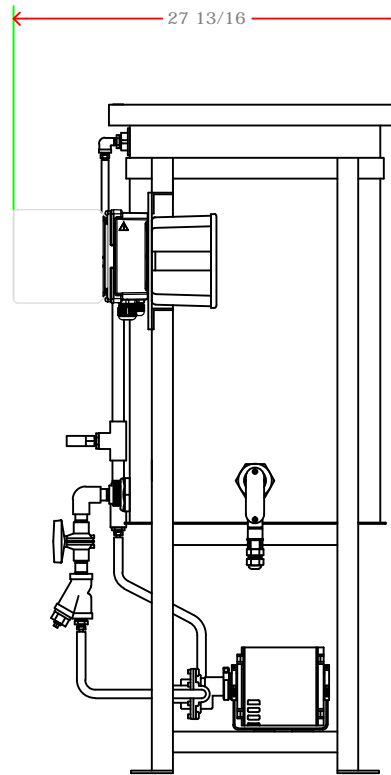
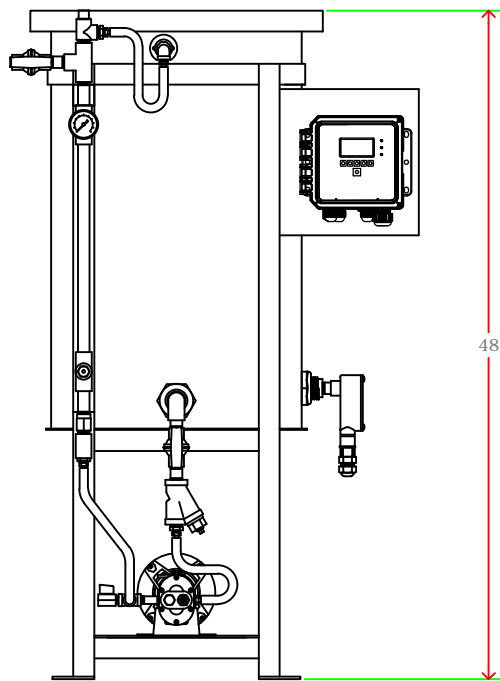
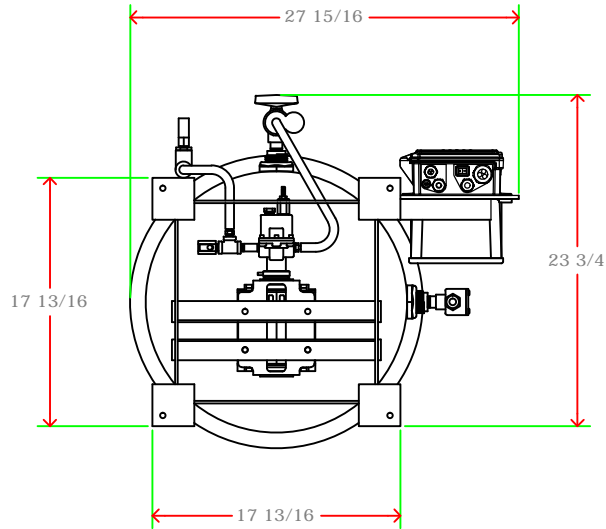
REV	DESCRIPTION	DATE
-----	-------------	------

General Treatment Products, Inc.
 PO Box 8697, Brea, CA 92822
 Phone: 714) 257-9165 <http://www.gtpcompany.com>
 Fax: 714) 257-9215 customerservice@gtpcompany.com

Date: 02/01/14 Scale: NTS Rev.: A

Description:
INDUSTRIAL GLYCOL FEED PACKAGE

Model:
DGP15-E4-1



MATERIALS OF CONSTRUCTION:
 POLYETHYLENE, CARBON STEEL, BRASS
 DUCTILE IRON, EPDM

Capacity:	30	Gallons
Max Temp.:	85	F
Max Press.:	100	PSI
Weight:	129	Lbs.
Voltage.:	115 VAC	1 Phs 60 Hz
FLA.:	8.6	amps

20	x	x
19	x	x
18	x	x
17	x	x
16	x	x
15	x	x
14	x	x
13	x	x
12	x	x
11	x	x
10	x	x
9	x	x
8	x	x
7	x	x
6	x	x
5	x	x
4	x	x
3	x	x
2	x	x
1	x	x

#	PART	DESCRIPTION
F	x	xx/xx/xx
E	x	xx/xx/xx
D	x	xx/xx/xx
C	x	xx/xx/xx
B	x	xx/xx/xx

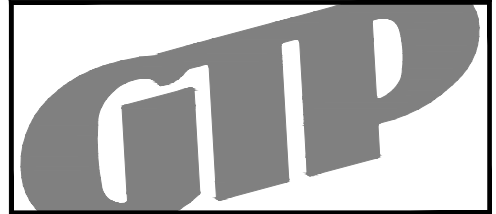
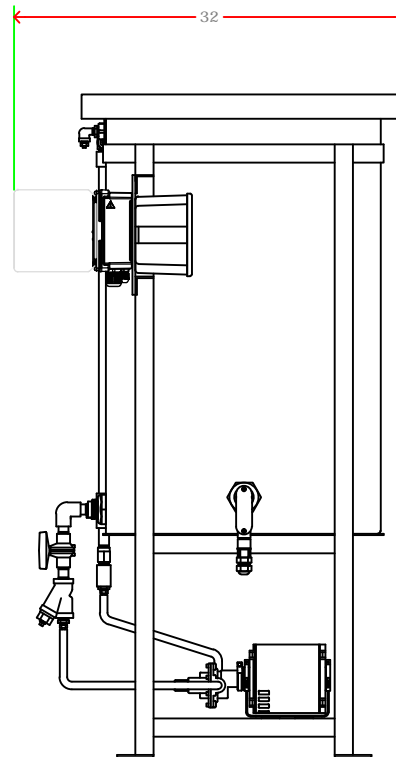
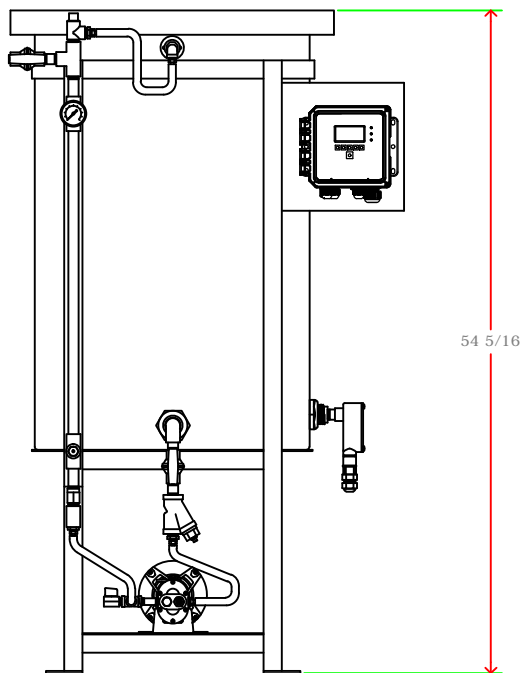
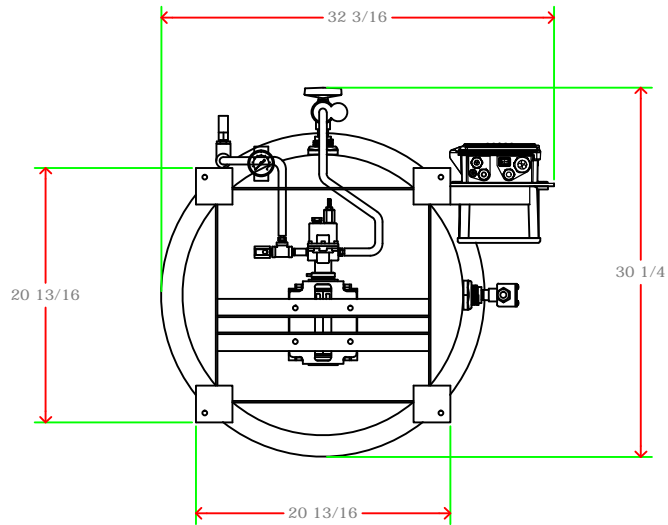
REV	DESCRIPTION	DATE
-----	-------------	------

General Treatment Products, Inc.
 PO Box 8697, Brea, CA 92822
 Phone: 714) 257-9165 <http://www.gtpcompany.com>
 Fax: 714) 257-9215 customerservice@gtpcompany.com

Date: 1/1/15 Scale: NTS Rev.: A

Description:
INDUSTRIAL GLYCOL FEED PACKAGE

Model:
DGP30-E4-1



MATERIALS OF CONSTRUCTION:
 POLYETHYLENE, CARBON STEEL, BRASS,
 CAST IRON, EPDM

Capacity:	55	Gallons
Max Temp.:	85	F
Max Press.:	100	PSI
Weight:	148	Lbs.
Voltage.:	115 VAC	1 Phs 60 Hz
FLA.:	8.6	amps

20	x	x
19	x	x
18	x	x
17	x	x
16	x	x
15	x	x
14	x	x
13	x	x
12	x	x
11	x	x
10	x	x
9	x	x
8	x	x
7	x	x
6	x	x
5	x	x
4	x	x
3	x	x
2	x	x
1	x	x

#	PART	DESCRIPTION
F	x	xx/xx/xx
E	x	xx/xx/xx
D	x	xx/xx/xx
C	x	xx/xx/xx
B	x	xx/xx/xx
REV	DESCRIPTION	DATE

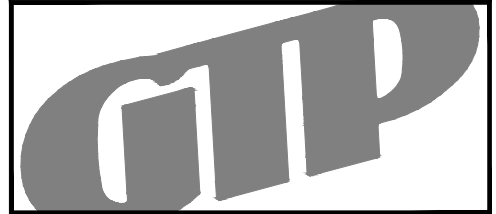
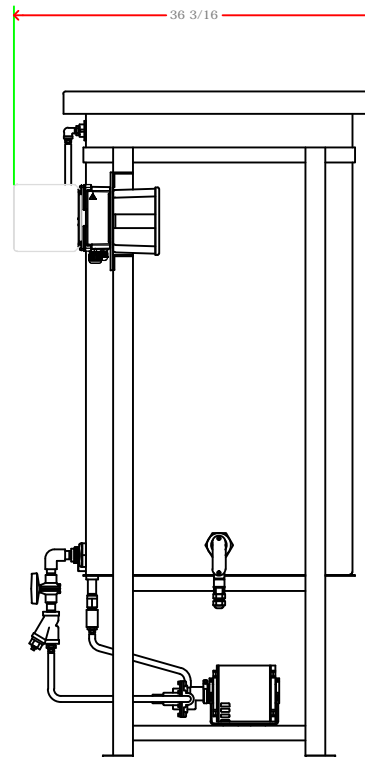
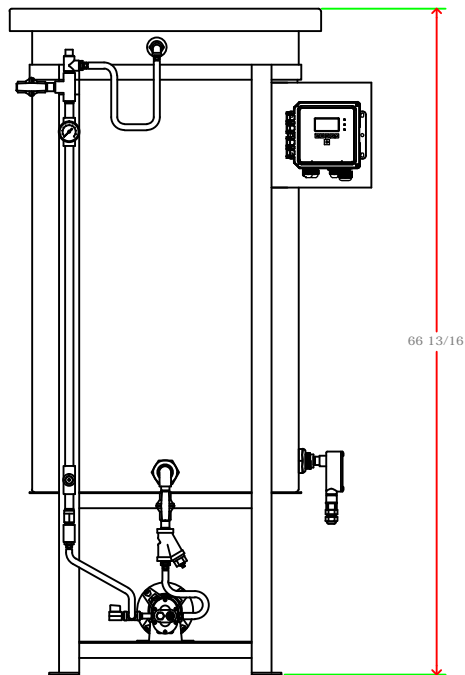
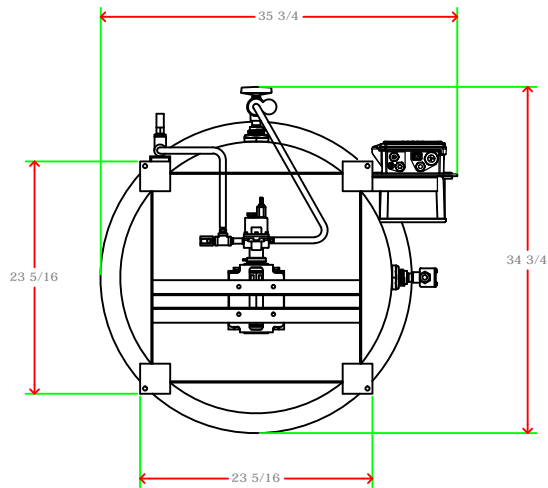
General Treatment Products, Inc.
 PO Box 8697, Brea, CA 92822
 Phone: 714) 257-9165 <http://www.gtpcompany.com>
 Fax: 714) 257-9215 customerservice@gtpcompany.com

Date: 1/1/15 Scale: NTS Rev.: A

Description:
INDUSTRIAL GLYCOL FEED PACKAGE

Model:
DGP55-E4-1

NOTICE: This drawing and its contents are for the specific use of GTP customers only. It is not to be duplicated or copied without expressed written consent of General Treatment Products, Inc. We reserve the right to modify this drawing without notice.



MATERIALS OF CONSTRUCTION:
 POLYETHYLENE, CARBON STEEL, BRASS,
 DUCTILE IRON, EPDM

Capacity: 100 Gallons
 Max Temp.: 85 F
 Max Press.: 100 PSI
 Weight: 215 Lbs.
 Voltage.: 115 VAC 1 Phs 60 Hz
 FLA.: 8.6 amps

20	x	x
19	x	x
18	x	x
17	x	x
16	x	x
15	x	x
14	x	x
13	x	x
12	x	x
11	x	x
10	x	x
9	x	x
8	x	x
7	x	x
6	x	x
5	x	x
4	x	x
3	x	x
2	x	x
1	x	x

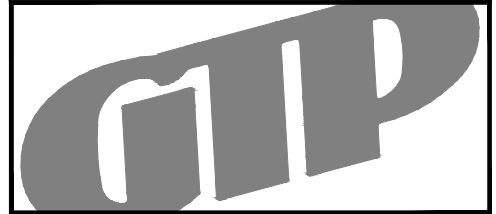
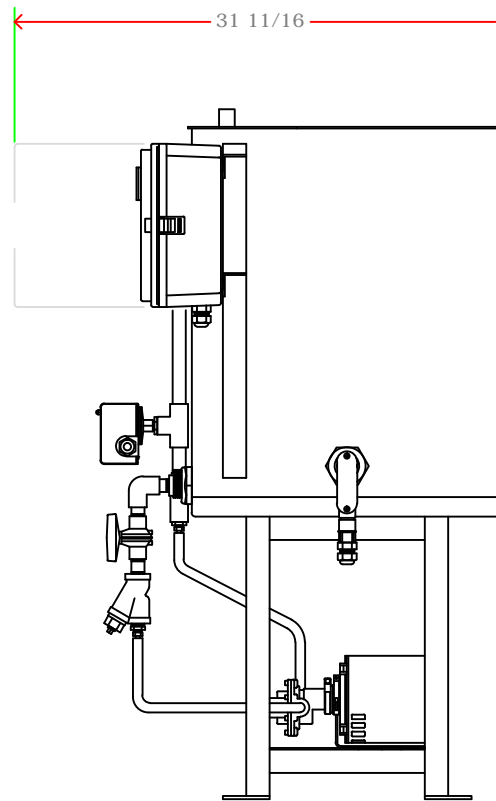
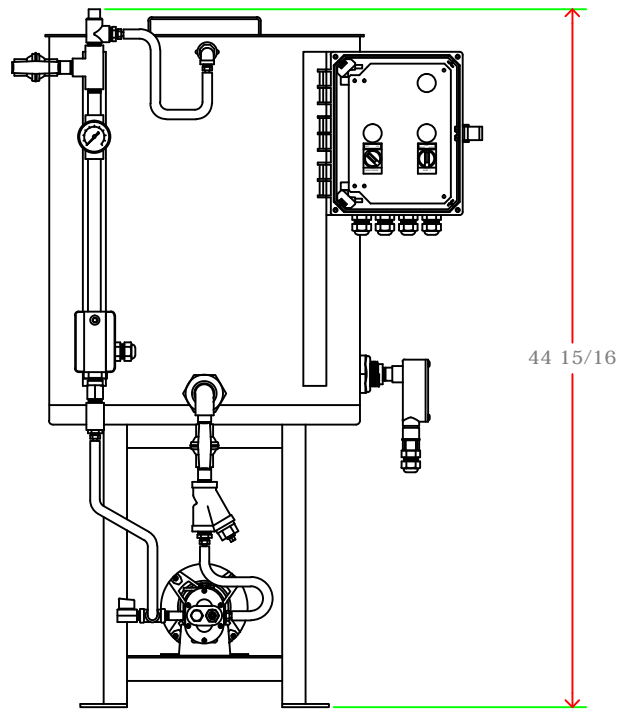
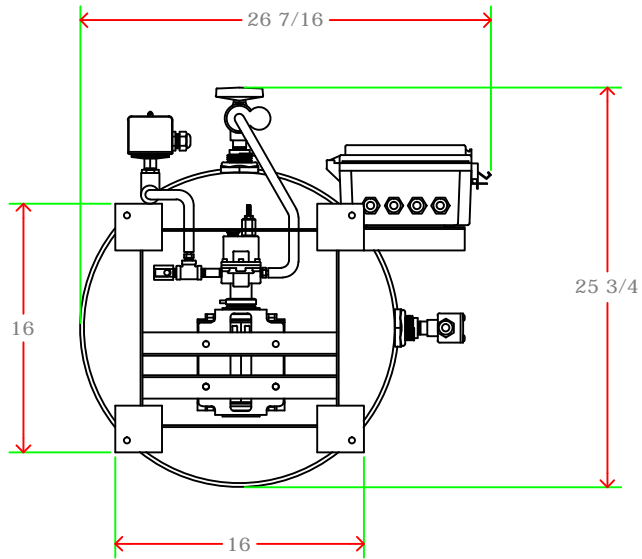
#	PART	DESCRIPTION
F	x	xx/xx/xx
E	x	xx/xx/xx
D	x	xx/xx/xx
C	x	xx/xx/xx
B	x	xx/xx/xx
REV	DESCRIPTION	DATE

General Treatment Products, Inc.
 PO Box 8697, Brea, CA 92822
 Phone: 714) 257-9165 <http://www.gtpcompany.com>
 Fax: 714) 257-9215 customerservice@gtpcompany.com

Date: 1/1/15 Scale: NTS Rev.: A

Description:
INDUSTRIAL GLYCOL FEED PACKAGE

Model:
DGP100-E4-1



MATERIALS OF CONSTRUCTION:
CARBON STEEL, EPOXY, BRASS, CAST IRON

Capacity: 30 Gallons
 Max Temp.: 185 F
 Max Press.: 150 PSI
 Weight: 234 Lbs.
 Voltage.: 115 VAC 1 Phs 60 Hz
 FLA.: 8.6 amps

20	x	x
19	x	x
18	x	x
17	x	x
16	x	x
15	x	x
14	x	x
13	x	x
12	x	x
11	x	x
10	x	x
9	x	x
8	x	x
7	x	x
6	x	x
5	x	x
4	x	x
3	x	x
2	x	x
1	x	x

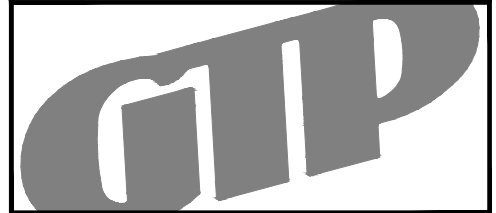
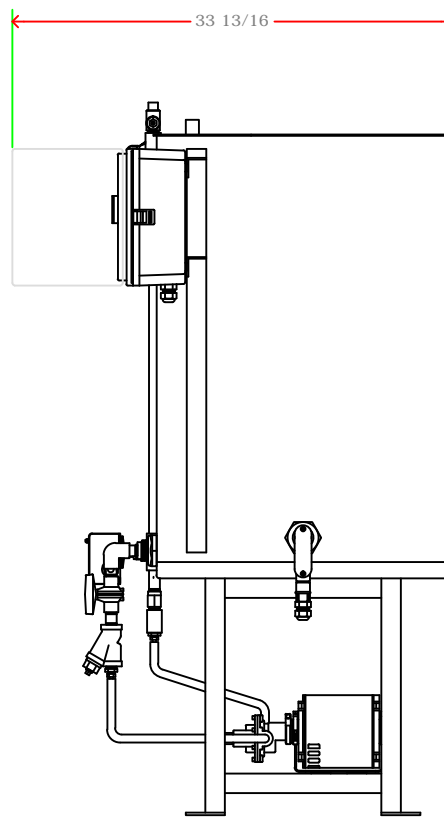
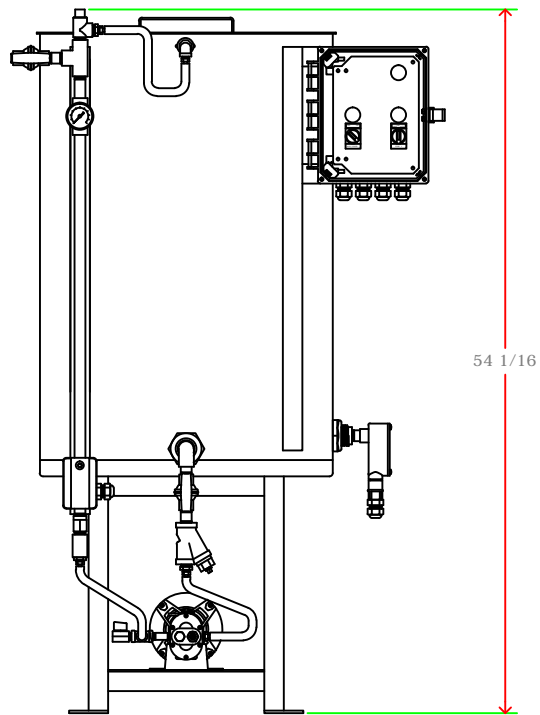
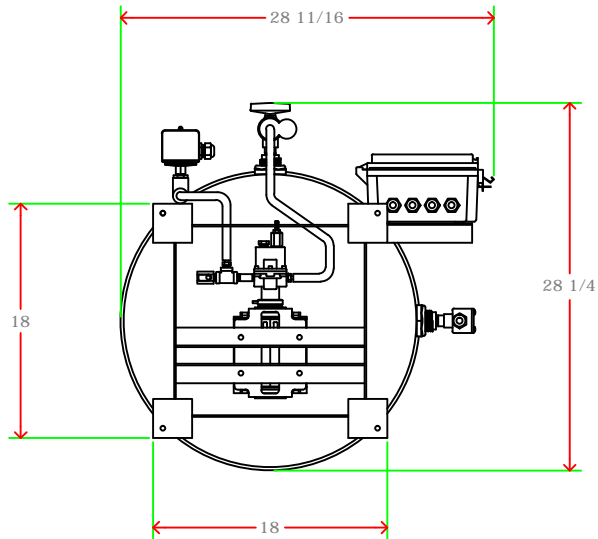
#	PART	DESCRIPTION
F	x	xx/xx/xx
E	x	xx/xx/xx
D	x	xx/xx/xx
C	x	xx/xx/xx
B	x	xx/xx/xx
REV	DESCRIPTION	DATE

General Treatment Products, Inc.
 PO Box 8697, Brea, CA 92822
 Phone: 714) 257-9165 <http://www.gtpcompany.com>
 Fax: 714) 257-9215 customerservice@gtpcompany.com

Date: 1/1/15 Scale: NTS Rev.: A

Description:
INDUSTRIAL GLYCOL FEED PACKAGE

Model:
GH30-E4-1



MATERIALS OF CONSTRUCTION:
CARBON STEEL, EPOXY, BRASS, CAST IRON

Capacity: 55 Gallons
 Max Temp.: 180 F
 Max Press.: 150 PSI
 Weight: 283 Lbs.
 Voltage.: 115 VAC 1 Phs 60 Hz
 FLA.: 8.6 amps

20	x	x
19	x	x
18	x	x
17	x	x
16	x	x
15	x	x
14	x	x
13	x	x
12	x	x
11	x	x
10	x	x
9	x	x
8	x	x
7	x	x
6	x	x
5	x	x
4	x	x
3	x	x
2	x	x
1	x	x

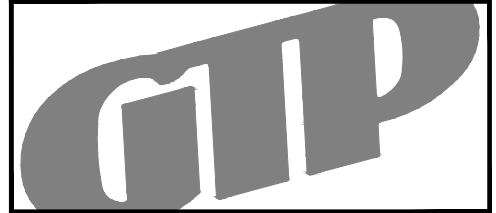
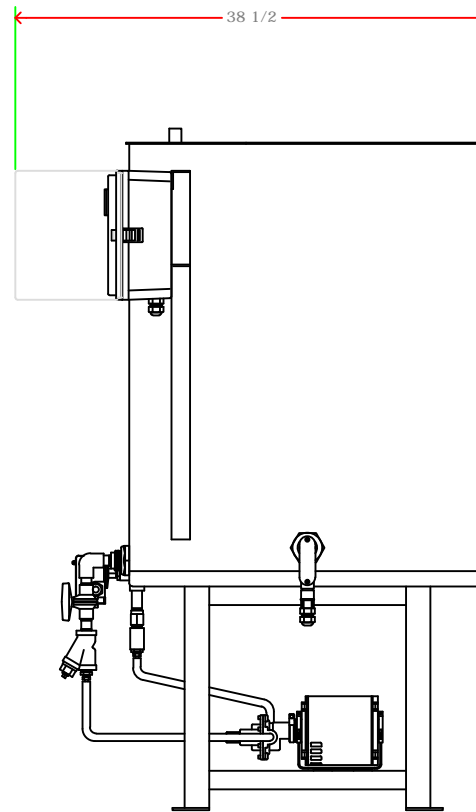
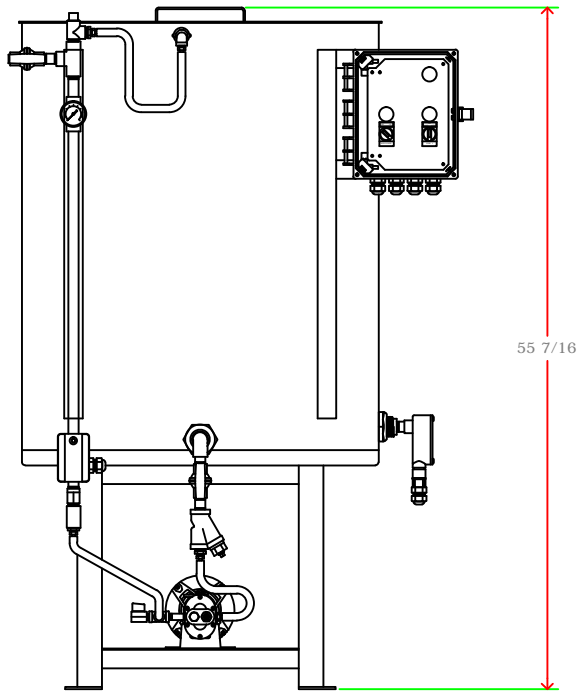
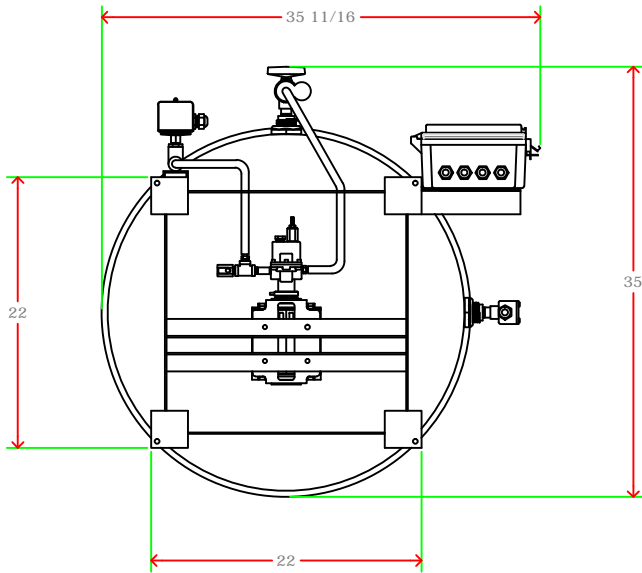
#	PART	DESCRIPTION
F	x	xx/xx/xx
E	x	xx/xx/xx
D	x	xx/xx/xx
C	x	xx/xx/xx
B	x	xx/xx/xx
REV	DESCRIPTION	DATE

General Treatment Products, Inc.
 PO Box 8697, Brea, CA 92822
 Phone: 714) 257-9165 <http://www.gtpcompany.com>
 Fax: 714) 257-9215 customerservice@gtpcompany.com

Date: 1/1/15 Scale: NTS Rev.: A

Description:
INDUSTRIAL GLYCOL FEED PACKAGE

Model:
GH55-E4-1



MATERIALS OF CONSTRUCTION:
CARBON STEEL, EPOXY, BRASS, CAST IRON

Capacity: 100 Gallons
 Max Temp.: 185 F
 Max Press.: 150 PSI
 Weight: 400 Lbs.
 Voltage.: 115 VAC 1 Phs 60 Hz
 FLA.: 8.6 amps

20	x	x
19	x	x
18	x	x
17	x	x
16	x	x
15	x	x
14	x	x
13	x	x
12	x	x
11	x	x
10	x	x
9	x	x
8	x	x
7	x	x
6	x	x
5	x	x
4	x	x
3	x	x
2	x	x
1	x	x

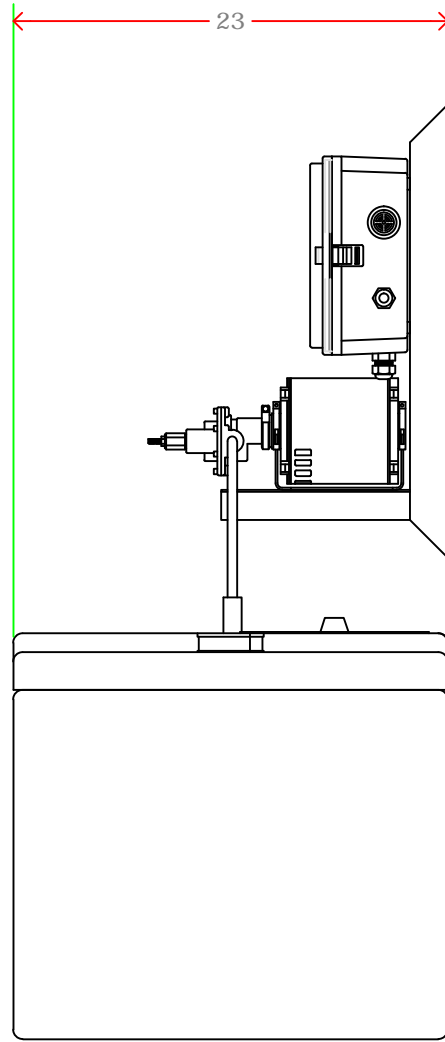
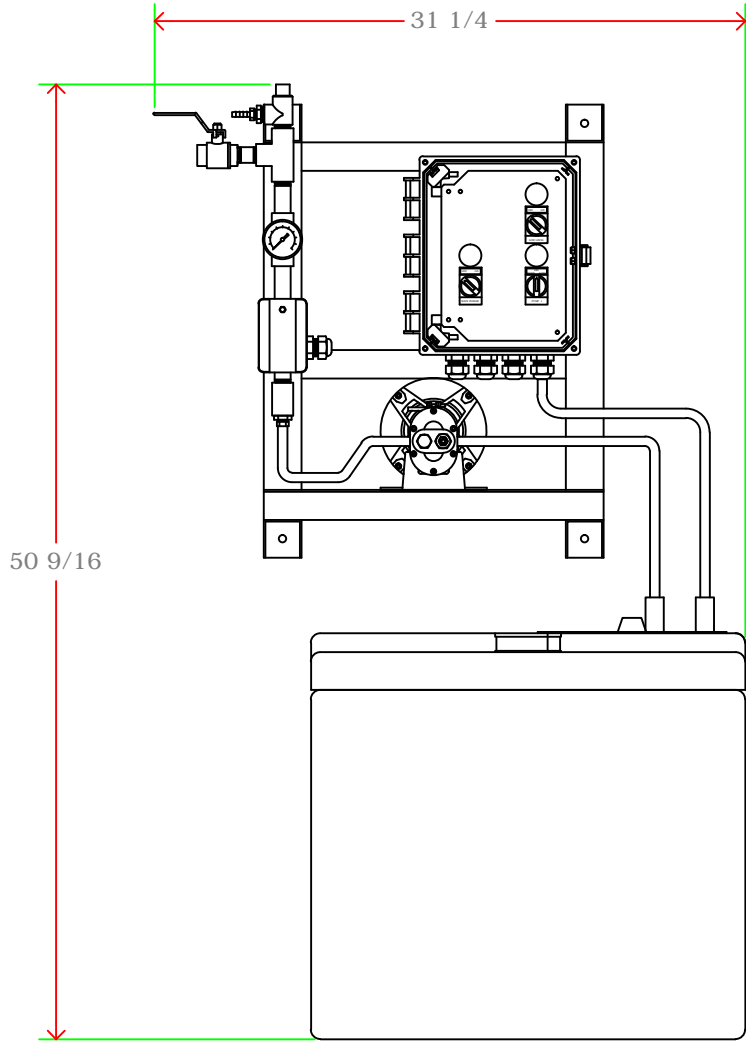
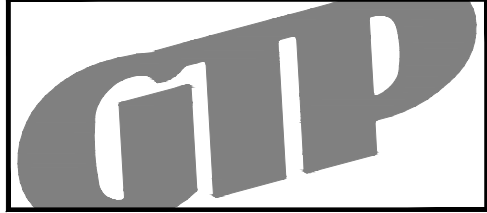
#	PART	DESCRIPTION
F	x	xx/xx/xx
E	x	xx/xx/xx
D	x	xx/xx/xx
C	x	xx/xx/xx
B	x	xx/xx/xx
REV	DESCRIPTION	DATE

General Treatment Products, Inc.
 PO Box 8697, Brea, CA 92822
 Phone: 714) 257-9165 <http://www.gtpcompany.com>
 Fax: 714) 257-9215 customerservice@gtpcompany.com

Date: 1/1/15 Scale: NTS Rev.: A

Description:
INDUSTRIAL GLYCOL FEED PACKAGE

Model:
GH100-E4-1



MATERIALS OF CONSTRUCTION:
 x

Capacity:	18	Gallons
Max Temp.:	85	F
Max Press.:	150	PSI
Weight:	93	Lbs.
Voltage.:	115 VAC	1 Phs 60 Hz
FLA.:	9.5	amps

20	x	x
19	x	x
18	x	x
17	x	x
16	x	x
15	x	x
14	x	x
13	x	x
12	x	x
11	x	x
10	x	x
9	x	x
8	x	x
7	x	x
6	x	x
5	x	x
4	x	x
3	x	x
2	x	x
1	x	x

#	PART	DESCRIPTION
F	x	xx/xx/xx
E	x	xx/xx/xx
D	x	xx/xx/xx
C	x	xx/xx/xx
B	x	xx/xx/xx
REV	DESCRIPTION	DATE

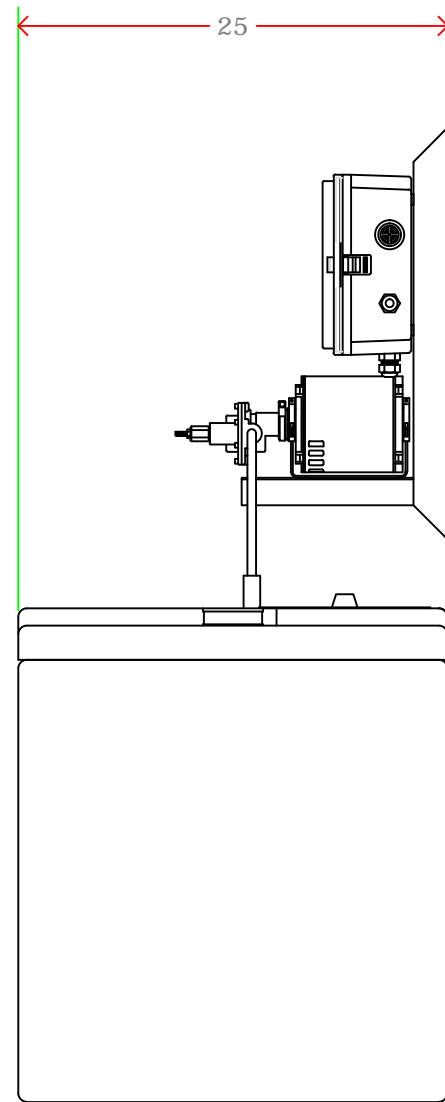
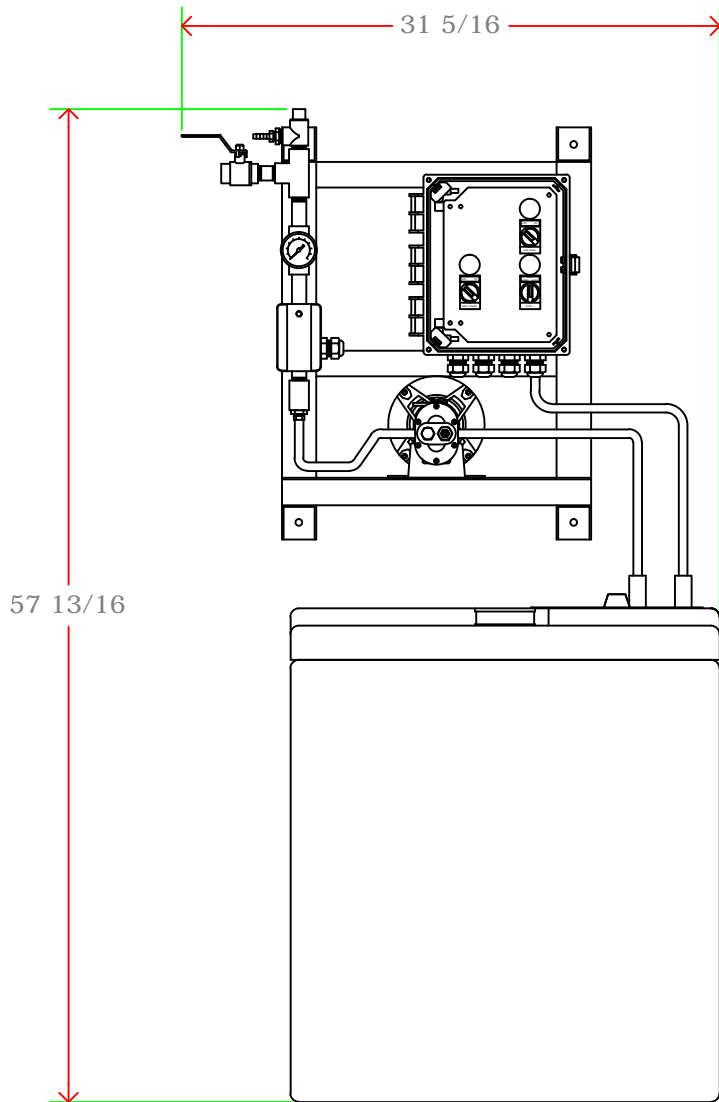
General Treatment Products, Inc.
 PO Box 8697, Brea, CA 92822
 Phone: 714) 257-9165 <http://www.gtpcompany.com>
 Fax: 714) 257-9215 customerservice@gtpcompany.com

Date: 12/1/14 Scale: NTS Rev.: A

Description:
INDUSTRIAL GLYCOL FEED PACKAGE

Model:
GDW18-E4-1

NOTICE: This drawing and it's contents are for the specific use of GTP customers only. It is not to be duplicated or copied without expressed written concent or General Treatment Products, Inc. We reserve the right to modify this drawing without notice.



MATERIALS OF CONSTRUCTION:
 x

Capacity:	35	Gallons
Max Temp.:	85	F
Max Press.:	150	PSI
Weight:	111	Lbs.
Voltage.:	115 VAC	1 Phs 60 Hz
FLA.:	9.5	amps

20	x	x
19	x	x
18	x	x
17	x	x
16	x	x
15	x	x
14	x	x
13	x	x
12	x	x
11	x	x
10	x	x
9	x	x
8	x	x
7	x	x
6	x	x
5	x	x
4	x	x
3	x	x
2	x	x
1	x	x

#	PART	DESCRIPTION
F	x	xx/xx/xx
E	x	xx/xx/xx
D	x	xx/xx/xx
C	x	xx/xx/xx
B	x	xx/xx/xx

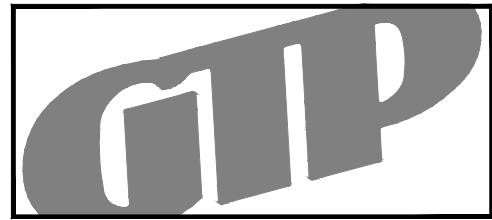
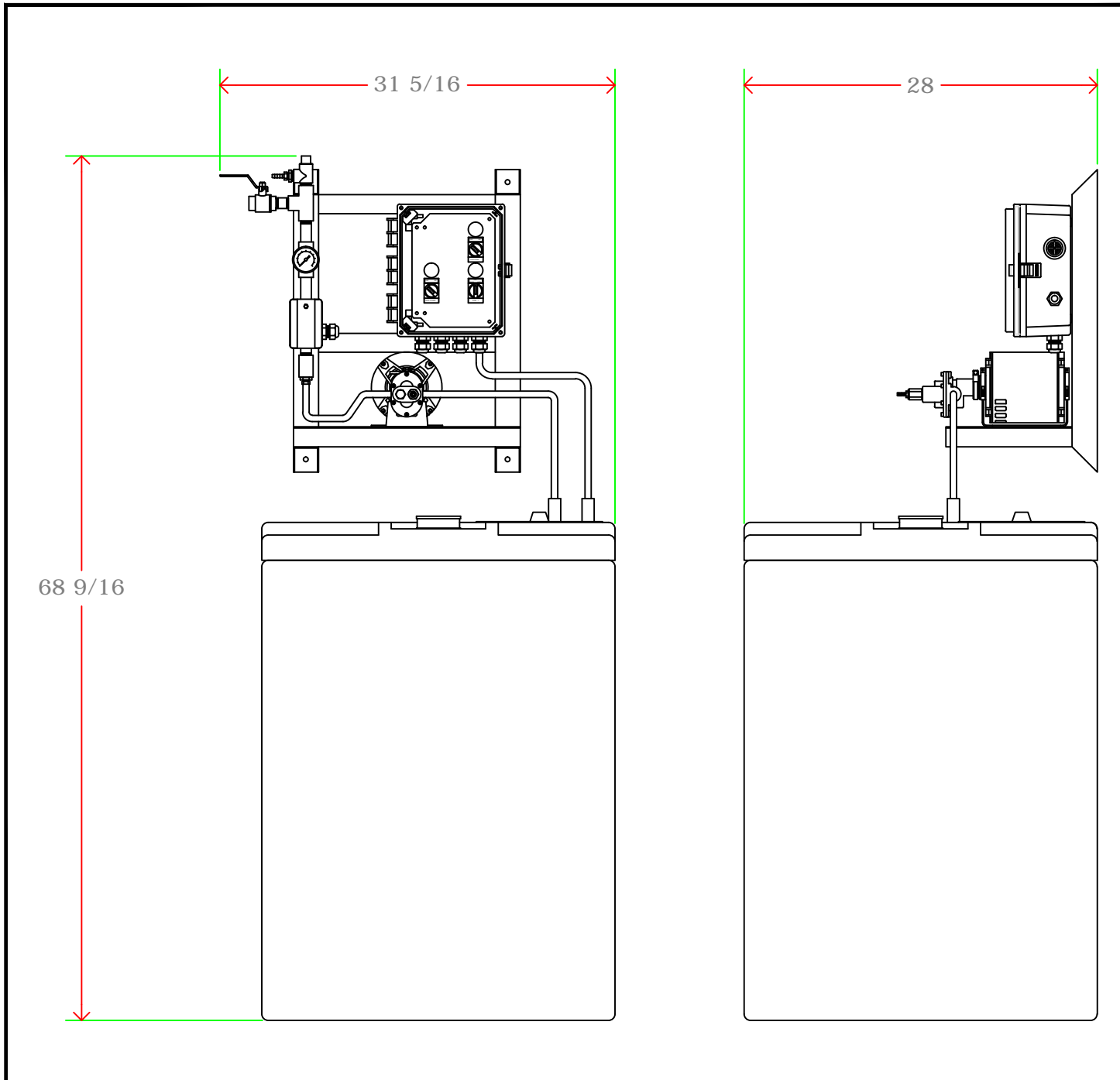
General Treatment Products, Inc.
 PO Box 8697, Brea, CA 92822
 Phone: 714) 257-9165 <http://www.gtpcompany.com>
 Fax: 714) 257-9215 customerservice@gtpcompany.com

Date: 12/1/14 Scale: NTS Rev.: A

Description:
INDUSTRIAL GLYCOL FEED PACKAGE

Model:
GDW35-E4-1

NOTICE: This drawing and its contents are for the specific use of GTP customers only. It is not to be duplicated or copied without expressed written consent of General Treatment Products, Inc. We reserve the right to modify this drawing without notice.



MATERIALS OF CONSTRUCTION:
 x

Capacity:	65	Gallons
Max Temp.:	85	F
Max Press.:	150	PSI
Weight:	125	Lbs.
Voltage.:	115 VAC	1 Phs 60 Hz
FLA.:	9.5	amps

20	x	x
19	x	x
18	x	x
17	x	x
16	x	x
15	x	x
14	x	x
13	x	x
12	x	x
11	x	x
10	x	x
9	x	x
8	x	x
7	x	x
6	x	x
5	x	x
4	x	x
3	x	x
2	x	x
1	x	x

#	PART	DESCRIPTION
F	x	xx/xx/xx
E	x	xx/xx/xx
D	x	xx/xx/xx
C	x	xx/xx/xx
B	x	xx/xx/xx

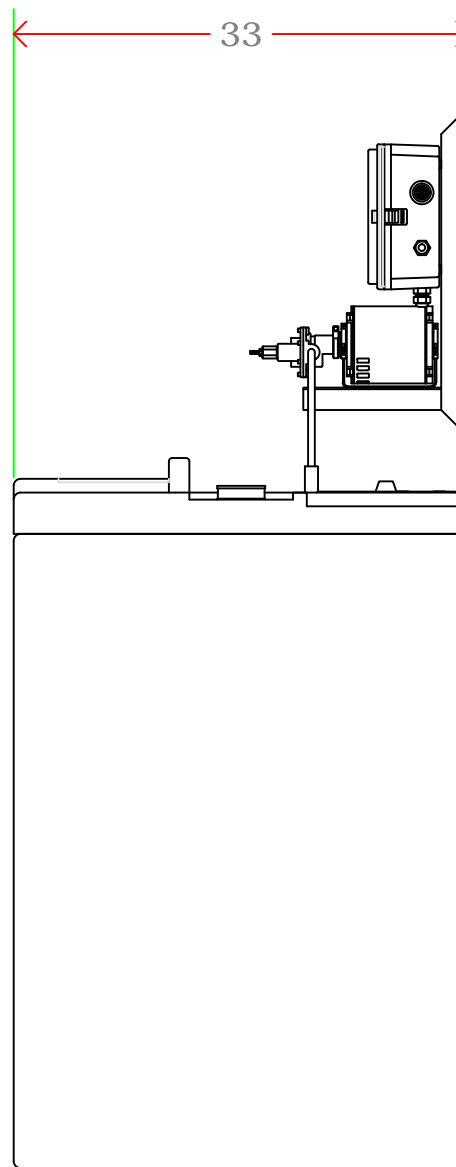
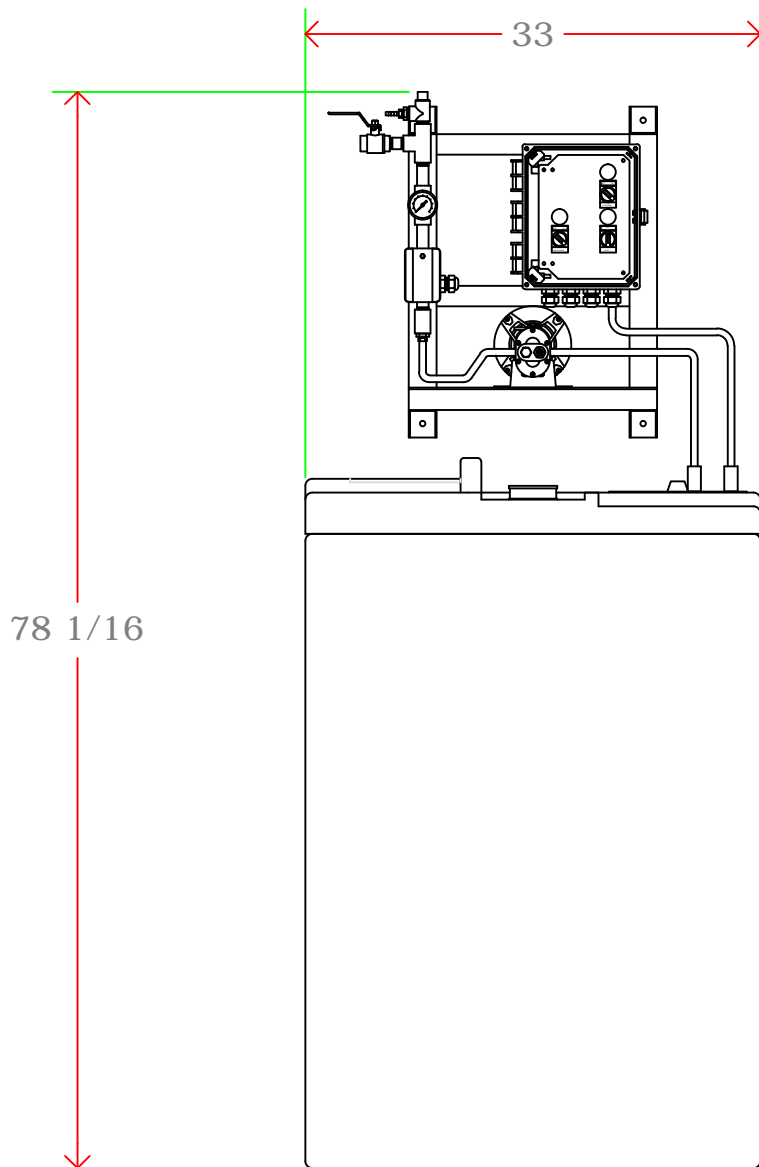
REV DESCRIPTION DATE
 General Treatment Products, Inc.
 PO Box 8697, Brea, CA 92822
 Phone: 714) 257-9165 <http://www.gtpcompany.com>
 Fax: 714) 257-9215 customerservice@gtpcompany.com

Date: 12/1/14 Scale: NTS Rev.: A

Description:
INDUSTRIAL GLYCOL FEED PACKAGE

Model:
GDW65-E4-1

NOTICE: This drawing and its contents are for the specific use of GTP customers only. It is not to be duplicated or copied without expressed written consent of General Treatment Products, Inc. We reserve the right to modify this drawing without notice.



MATERIALS OF CONSTRUCTION:
x

Capacity:	120 Gallons
Max Temp.:	85 F
Max Press.:	150 PSI
Weight:	156 Lbs.
Voltage.:	115 VAC 1 Phs 60 Hz
FLA.:	9.5 amps

20	x	x
19	x	x
18	x	x
17	x	x
16	x	x
15	x	x
14	x	x
13	x	x
12	x	x
11	x	x
10	x	x
9	x	x
8	x	x
7	x	x
6	x	x
5	x	x
4	x	x
3	x	x
2	x	x
1	x	x

#	PART	DESCRIPTION
F	x	xx/xx/xx
E	x	xx/xx/xx
D	x	xx/xx/xx
C	x	xx/xx/xx
B	x	xx/xx/xx
REV	DESCRIPTION	DATE

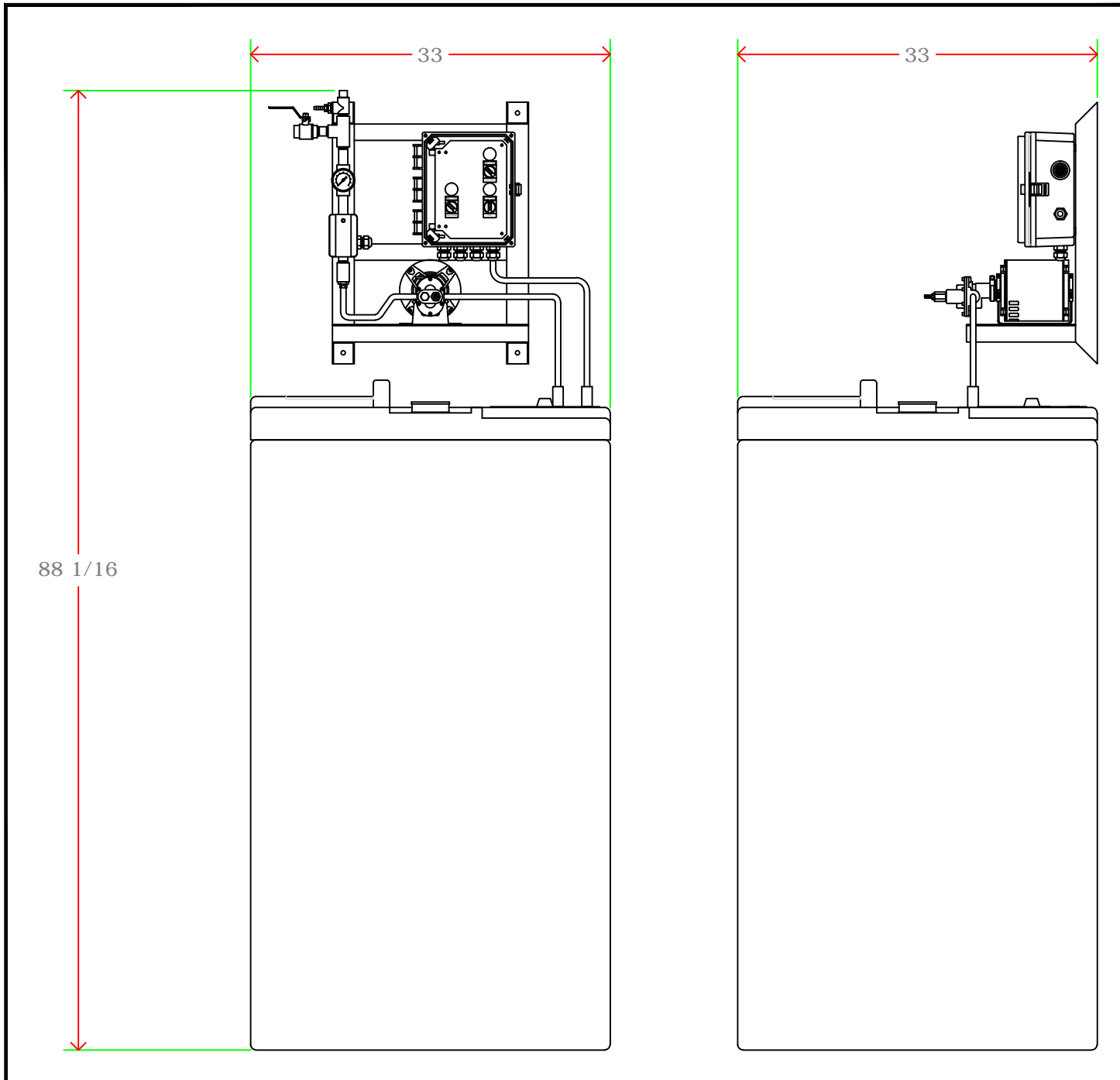
General Treatment Products, Inc.
 PO Box 8697, Brea, CA 92822
 Phone: 714) 257-9165 <http://www.gtpcompany.com>
 Fax: 714) 257-9215 customerservice@gtpcompany.com

Date: 12/1/14 Scale: NTS Rev.: A

Description:
INDUSTRIAL GLYCOL FEED PACKAGE

Model:
GDW120-E4-1

NOTICE: This drawing and its contents are for the specific use of GTP customers only. It is not to be duplicated or copied without expressed written consent of General Treatment Products, Inc. We reserve the right to modify this drawing without notice.



MATERIALS OF CONSTRUCTION:
 x

Capacity:	160	Gallons
Max Temp.:	85	F
Max Press.:	150	PSI
Weight:	198	Lbs.
Voltage.:	115 VAC	1 Phs 60 Hz
FLA.:	9.5	amps

20	x	x
19	x	x
18	x	x
17	x	x
16	x	x
15	x	x
14	x	x
13	x	x
12	x	x
11	x	x
10	x	x
9	x	x
8	x	x
7	x	x
6	x	x
5	x	x
4	x	x
3	x	x
2	x	x
1	x	x

#	PART	DESCRIPTION
F	x	xx/xx/xx
E	x	xx/xx/xx
D	x	xx/xx/xx
C	x	xx/xx/xx
B	x	xx/xx/xx

REV DESCRIPTION DATE

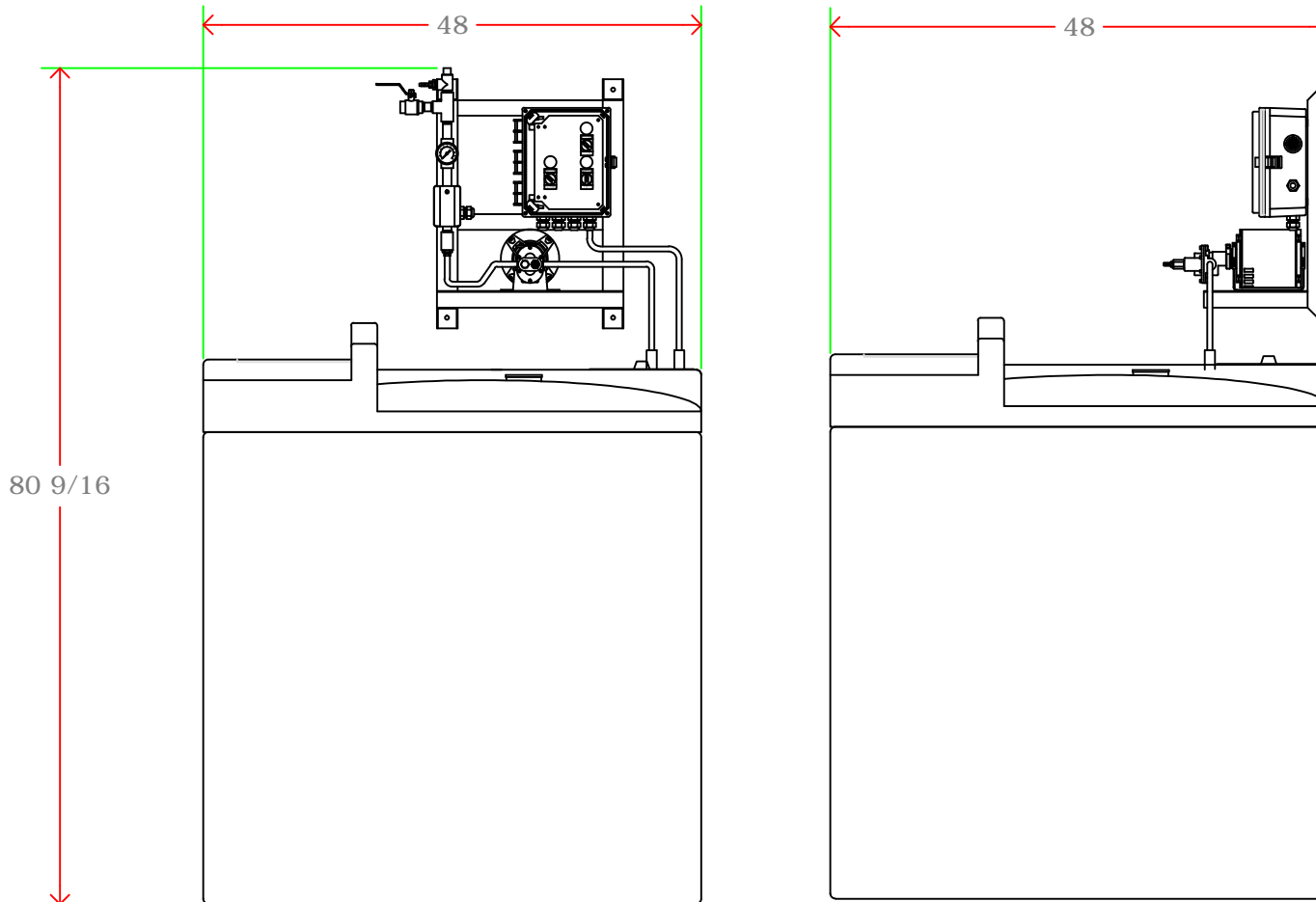
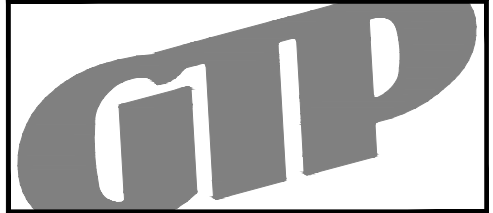
General Treatment Products, Inc.
 PO Box 8697, Brea, CA 92822
 Phone: 714) 257-9165 <http://www.gtpcompany.com>
 Fax: 714) 257-9215 customerservice@gtpcompany.com

Date: 12/1/2014 Scale: NTS Rev.: A

Description:
INDUSTRIAL GLYCOL FEED PACKAGE

Model:
GDW160-E4-1

NOTICE: This drawing and its contents are for the specific use of GTP customers only. It is not to be duplicated or copied without expressed written consent of General Treatment Products, Inc. We reserve the right to modify this drawing without notice.



MATERIALS OF CONSTRUCTION:
x

Capacity:	220	Gallons
Max Temp.:	85	F
Max Press.:	150	PSI
Weight:	253	Lbs.
Voltage.:	115 VAC	1 Phs 60 Hz
FLA.:	9.5	amps

20	x	x
19	x	x
18	x	x
17	x	x
16	x	x
15	x	x
14	x	x
13	x	x
12	x	x
11	x	x
10	x	x
9	x	x
8	x	x
7	x	x
6	x	x
5	x	x
4	x	x
3	x	x
2	x	x
1	x	x

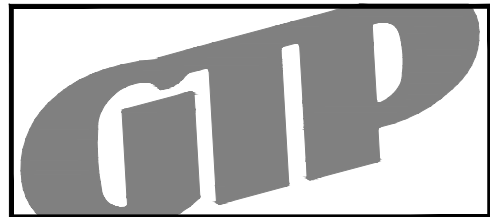
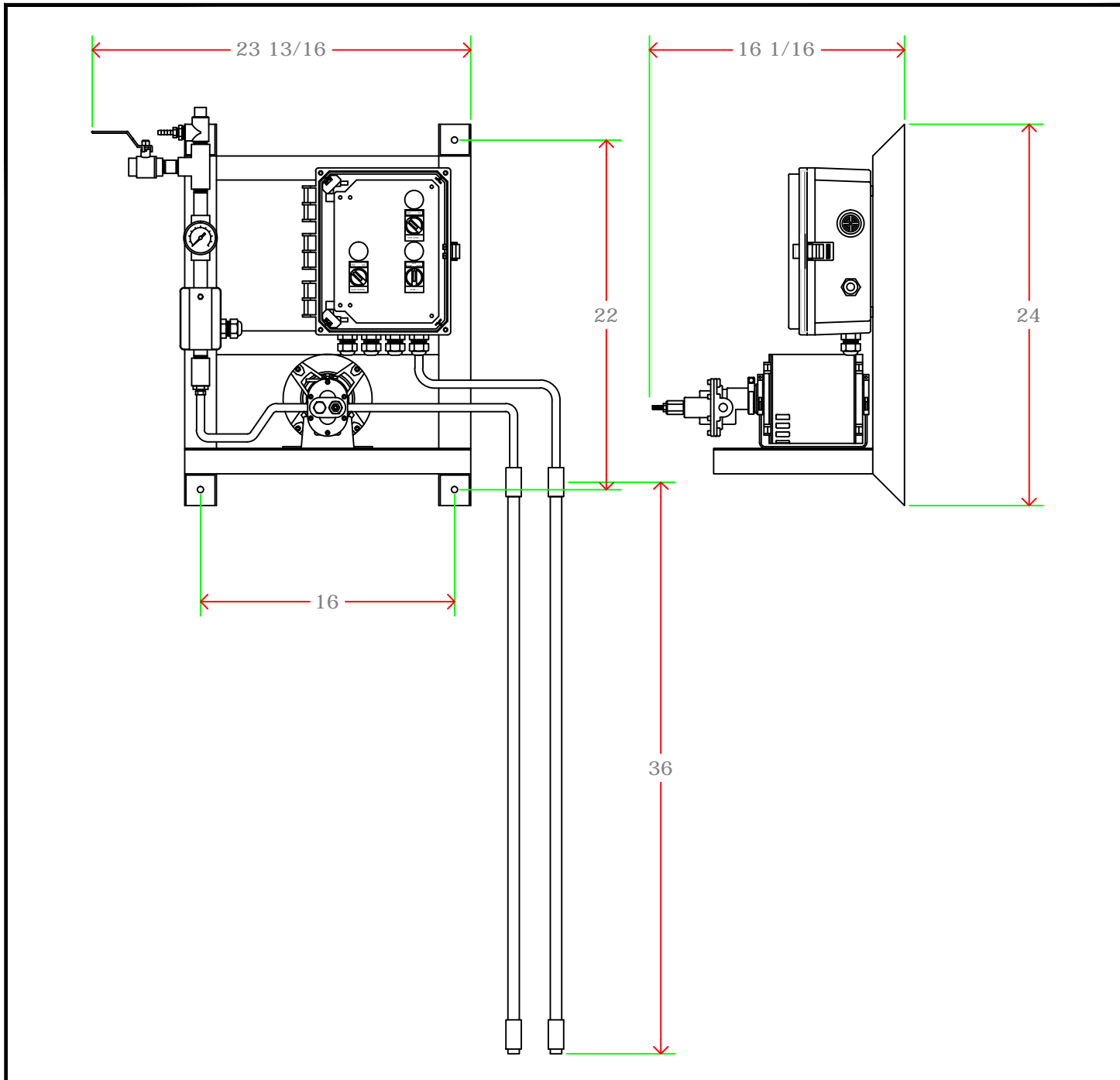
#	PART	DESCRIPTION
F	x	xx/xx/xx
E	x	xx/xx/xx
D	x	xx/xx/xx
C	x	xx/xx/xx
B	x	xx/xx/xx
REV	DESCRIPTION	DATE

General Treatment Products, Inc.
 PO Box 8697, Brea, CA 92822
 Phone: 714) 257-9165 <http://www.gtpcompany.com>
 Fax: 714) 257-9215 customerservice@gtpcompany.com

Date: 12/1/14 Scale: NTS Rev.: A

Description:
INDUSTRIAL GLYCOL FEED PACKAGE

Model:
GDW220-E4-1



MATERIALS OF CONSTRUCTION:
 x

Capacity:	x	Gallons				
Max Temp.:	x	F				
Max Press.:	x	PSI				
Weight:	x	Lbs.				
Voltage.:	x	VAC	x	Phs	x	Hz
FLA.:	x	amps				

20	x	x
19	x	x
18	x	x
17	x	x
16	x	x
15	x	x
14	x	x
13	x	x
12	x	x
11	x	x
10	x	x
9	x	x
8	x	x
7	x	x
6	x	x
5	x	x
4	x	x
3	x	x
2	x	x
1	x	x

#	PART	DESCRIPTION
F	x	xx/xx/xx
E	x	xx/xx/xx
D	x	xx/xx/xx
C	x	xx/xx/xx
B	x	xx/xx/xx
REV	DESCRIPTION	DATE

General Treatment Products, Inc.
 PO Box 8697, Brea, CA 92822
 Phone: 714) 257-9165 <http://www.gtpcompany.com>
 Fax: 714) 257-9215 customerservice@gtpcompany.com

Date: 12/1/2014 Scale: NTS Rev.: A

Description:
INDUSTRIAL GLYCOL FEED PACKAGE

Model:
GX-E4-1

NOTICE: This drawing and it's contents are for the specific use of GTP customers only. It is not to be duplicated or copied without expressed written concent or General Treatment Products, Inc. We reserve the right to modify this drawing without notice.