

SPECIFICATIONS:

x

MATERIALS OF CONSTRUCTION:

x

Capacity:	x	Gallons
Max Temp.:	x	F
Max Press.:	x	PSI
Weight:	x	Lbs.
Voltage.:	115 VAC	1 Phs 60 Hz
FLA.:	15	amps

20	x	x
19	x	x
18	x	x
17	x	x
16	x	x
15	x	x
14	x	x
13	x	x
12	x	x
11	x	x
10	x	x
9	x	x
8	x	x
7	x	x
6	x	x
5	x	x
4	x	x
3	x	x
2	x	x
1	x	x
#	PART	DESCRIPTION

General Treatment Products, Inc.

PO Box 8697, Brea, CA 92822  
Phone: 714) 257-9165  
Fax: 714) 257-9215  
customerservice@gtppcompany.com  
http://www.gtppcompany.com

Drwn By: Jim C  
Date: 03/01/12  
Scale: NTS  
Rev.: A

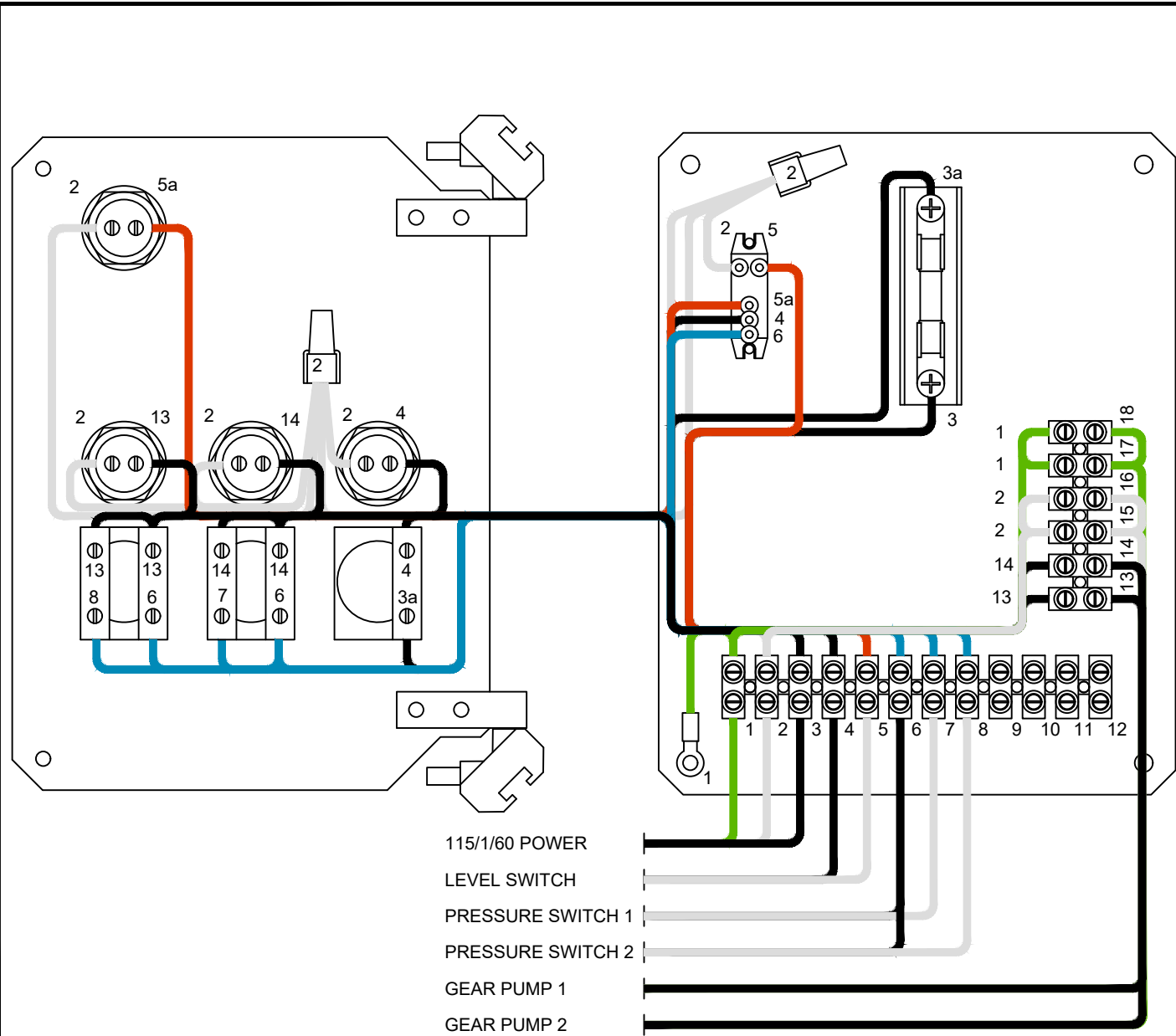


D	x	xx/xx/xx
C	x	xx/xx/xx
B	x	xx/xx/xx
Rev	Description	Date

4)	xx/xx/xx
3)	xx/xx/xx
2)	xx/xx/xx
1)	DIAGRAM SHOWN WITH OPTIONAL FEATURES, AL & DC
Notes:	

**NOTICE**  
This drawing and its contents are for the specific use of GTP customers only. It is not to be duplicated or copied without expressed written consent or General Treatment Products, Inc. We reserve the right to modify this drawing without notice.

Description:  
**GP CONTROL PANEL**  
Model:  
**CPE**



115/1/60 POWER  
 LEVEL SWITCH  
 PRESSURE SWITCH 1  
 PRESSURE SWITCH 2  
 GEAR PUMP 1  
 GEAR PUMP 2

**SPECIFICATIONS:**  
 x

**MATERIALS OF CONSTRUCTION:**  
 x

Capacity:	x	Gallons
Max Temp.:	x	F
Max Press.:	x	PSI
Weight:	x	Lbs.
Voltage.:	115	VAC 1 Phs 60 Hz
FLA.:	15	amps

20	x	x
19	x	x
18	x	x
17	x	x
16	x	x
15	x	x
14	x	x
13	x	x
12	x	x
11	x	x
10	x	x
9	x	x
8	x	x
7	x	x
6	x	x
5	x	x
4	x	x
3	x	x
2	x	x
1	x	x
#	PART	DESCRIPTION

**General Treatment Products, Inc.**  
 PO Box 8697, Brea, CA 92822  
 Phone: 714) 257-9165  
 Fax: 714) 257-9215  
 customerservice@gtbcompany.com  
 http://www.gtbcompany.com

Drwn By: **Jim C**  
 Date: **03/01/12**  
 Scale: **NTS**  
 Rev.: **A**

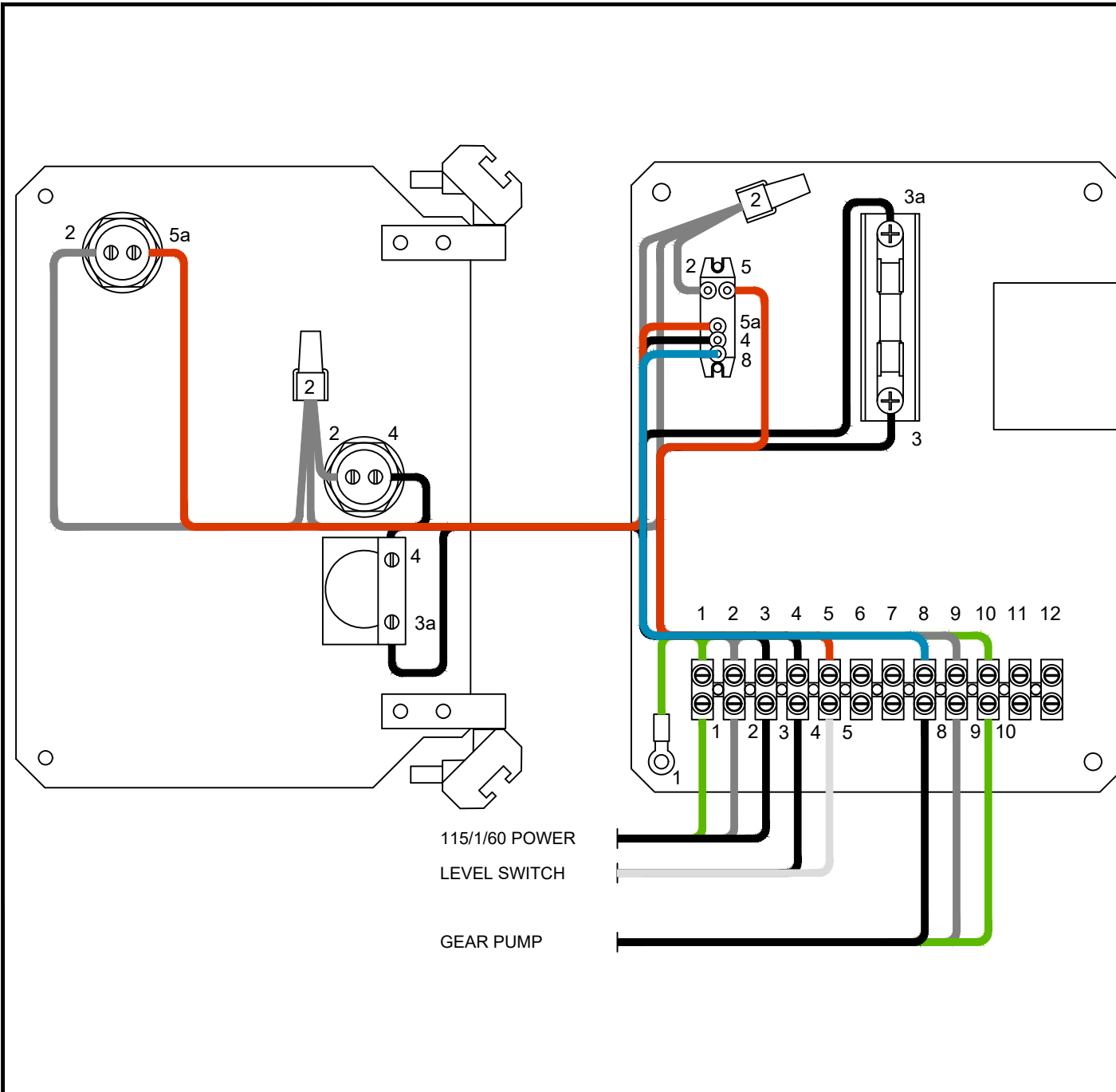


D	x	xx/xx/xx	4)
C	x	xx/xx/xx	3)
B	x	xx/xx/xx	2)
Rev	Description	Date	Notes:

1) **DIAGRAM SHOWN WITH OPTIONAL FEATURES, AL & DC**

**NOTICE**  
 This drawing and its contents are for the specific use of GTP customers only. It is not to be duplicated or copied without expressed written consent or General Treatment Products, Inc. We reserve the right to modify this drawing without notice.

Description: **GP CONTROL PANEL ASSY**  
 Model: **CPE (DUAL)**



115/1/60 POWER  
LEVEL SWITCH  
GEAR PUMP

**SPECIFICATIONS:**

x
---

**MATERIALS OF CONSTRUCTION:**

x
---

Capacity:	x	Gallons				
Max Temp.:	x	F				
Max Press.:	x	PSI				
Weight:	x	Lbs.				
Voltage.:	115	VAC	1	Phs	60	Hz
FLA.:	15	amps				

20	x	x
19	x	x
18	x	x
17	x	x
16	x	x
15	x	x
14	x	x
13	x	x
12	x	x
11	x	x
10	x	x
9	x	x
8	x	x
7	x	x
6	x	x
5	x	x
4	x	x
3	x	x
2	x	x
1	x	x
#	PART	DESCRIPTION

**General Treatment Products, Inc.**  
 PO Box 8697, Brea, CA 92822  
 Phone: 714) 257-9165  
 Fax: 714) 257-9215  
 customerservice@gtppcompany.com  
 http://www.gtppcompany.com

Drwn By: **Jim C**  
 Date: **11/13/13**  
 Scale: **NTS**  
 Rev.: **A**



D	x	xx/xx/xx	4)
C	x	xx/xx/xx	3)
B	x	xx/xx/xx	2)
			1)
Rev	Description	Date	Notes:

**NOTICE**  
 This drawing and its contents are for the specific use of GTP customers only. It is not to be duplicated or copied without expressed written consent or General Treatment Products, Inc. We reserve the right to modify this drawing without notice.

Description: **GP CONTROL PANEL**  
 Model: **CPE (ON/OFF)**