



MATERIALS OF CONSTRUCTION:
BRASS, 316SS

Capacity: x Gallons
Max Temp.: 100 F
Max Press.: 150 PSI
Weight: .81 Lbs.
Voltage.: 115 VAC 1 Phs 50/60 Hz
FLA.: 0.5 amps

20	x	x
19	x	x
18	x	x
17	x	x
16	x	x
15	x	x
14	x	x
13	x	x
12	x	x
11	x	x
10	x	x
9	x	x
8	x	x
7	x	x
6	x	x
5	x	x
4	x	x
3	x	x
2	x	x
1	x	x

#	PART	DESCRIPTION
F	x	xx/xx/xx
E	x	xx/xx/xx
D	x	xx/xx/xx
C	x	xx/xx/xx
B	x	xx/xx/xx

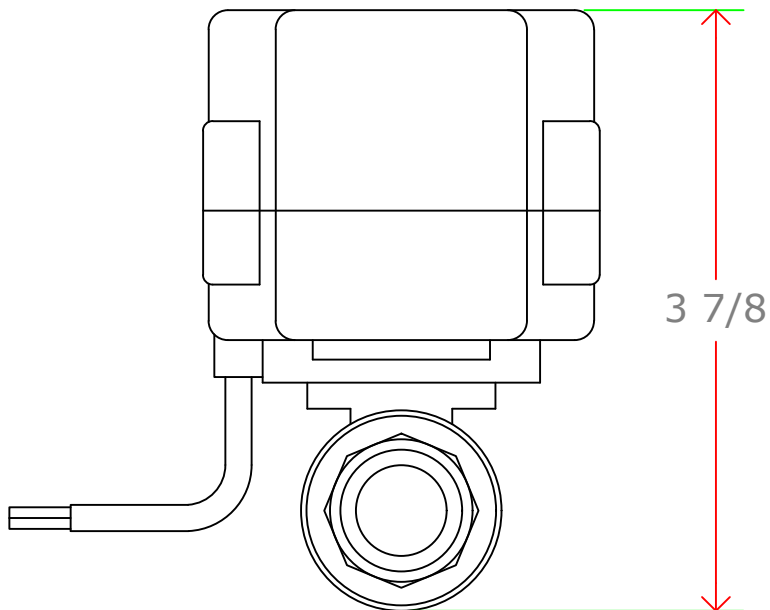
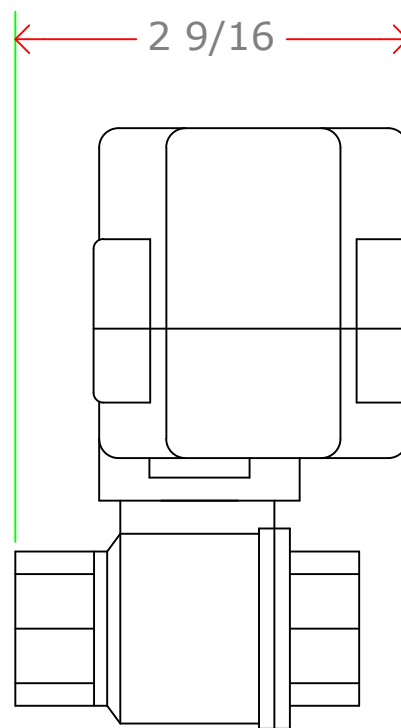
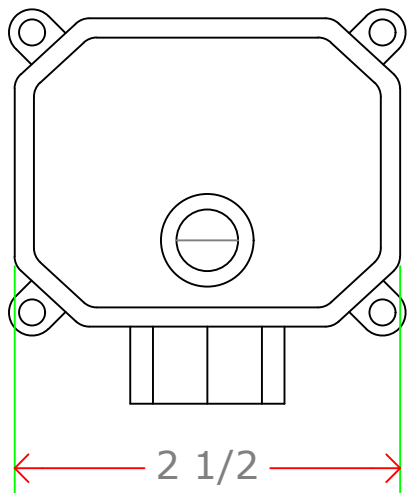
REV	DESCRIPTION	DATE

General Treatment Products, Inc.
 PO Box 8697, Brea, CA 92822
 Phone: 714) 257-9165 <http://www.gtpcompany.com>
 Fax: 714) 257-9215 customerservice@gtpcompany.com

Date: 1/1/16 Scale: NTS Rev.: A

Description:
MOTO-G MOTORIZED BALL VALVE

Model:
MGV05B & MGV05S





MATERIALS OF CONSTRUCTION:
BRASS, 316SS

Capacity: x Gallons
Max Temp.: 100 F
Max Press.: 150 PSI
Weight: .81 Lbs.
Voltage.: 115 VAC 1 Phs 50/60 Hz
FLA.: 0.5 amps

20	x	x
19	x	x
18	x	x
17	x	x
16	x	x
15	x	x
14	x	x
13	x	x
12	x	x
11	x	x
10	x	x
9	x	x
8	x	x
7	x	x
6	x	x
5	x	x
4	x	x
3	x	x
2	x	x
1	x	x

#	PART	DESCRIPTION
F	x	xx/xx/xx
E	x	xx/xx/xx
D	x	xx/xx/xx
C	x	xx/xx/xx
B	x	xx/xx/xx

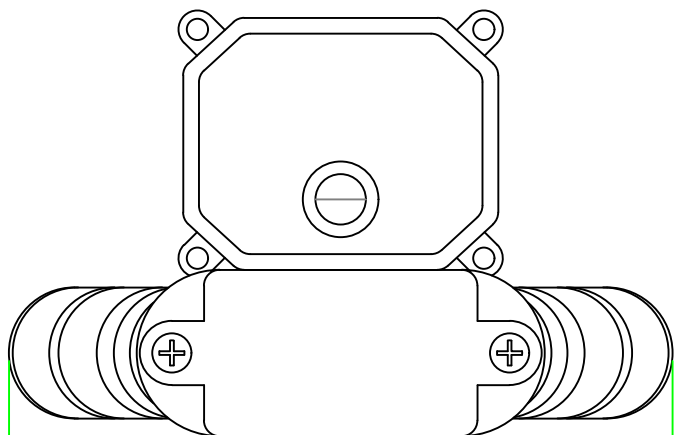
REV	DESCRIPTION	DATE

General Treatment Products, Inc.
 PO Box 8697, Brea, CA 92822
 Phone: 714) 257-9165 <http://www.gtpcompany.com>
 Fax: 714) 257-9215 customerservice@gtpcompany.com

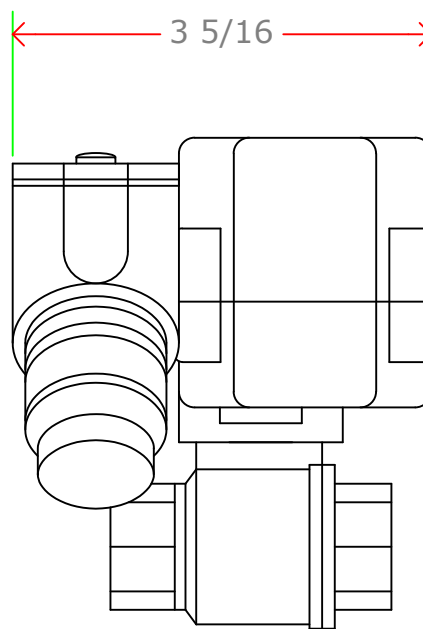
Date: 1/1/16 Scale: NTS Rev.: A

Description:
MOTO-G MOTORIZED BALL VALVE

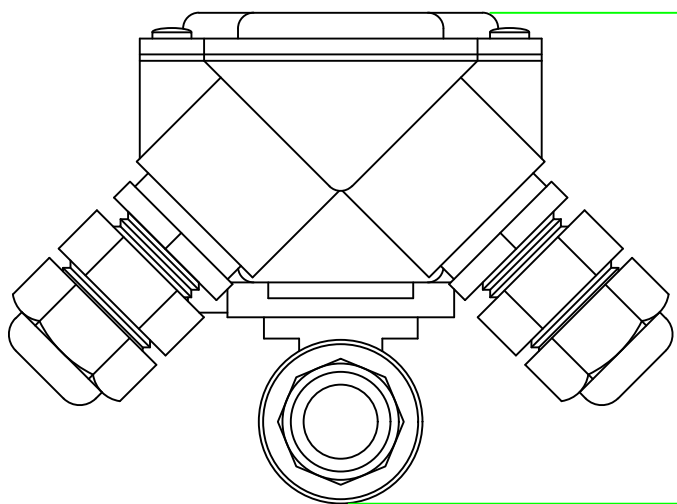
Model:
MGV05B/WP & MGV05S/WP



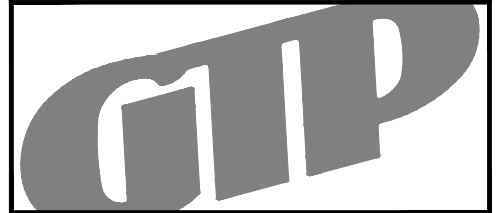
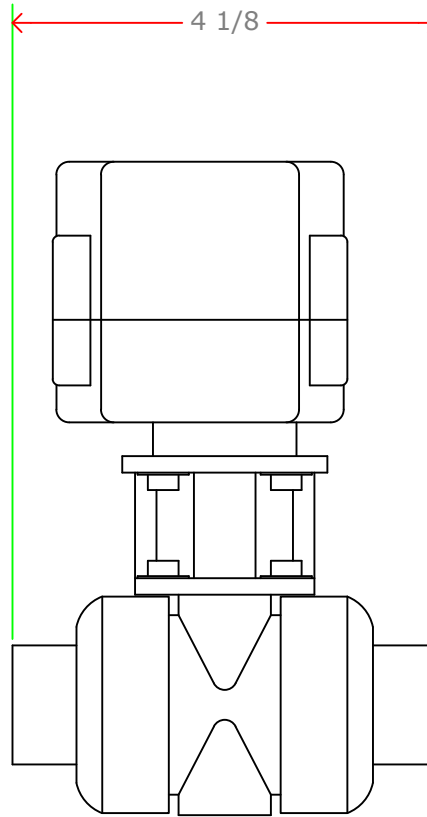
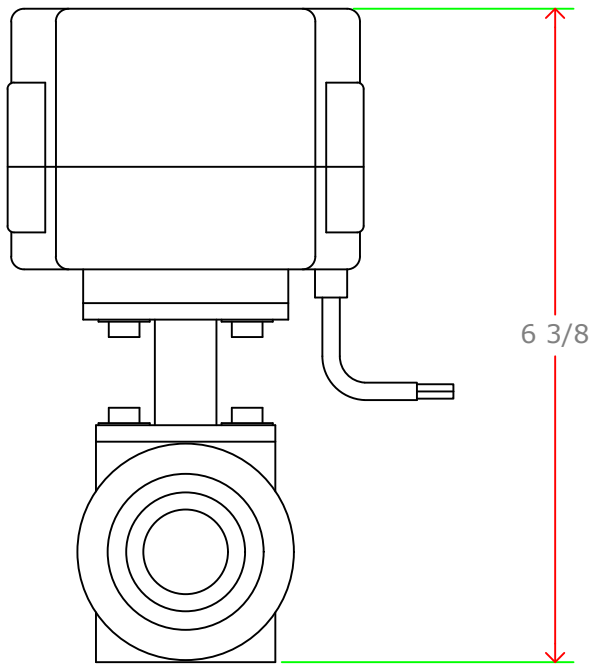
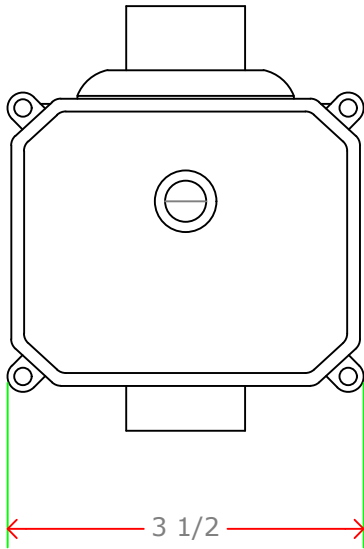
5 1/4



3 5/16



3 7/8



MATERIALS OF CONSTRUCTION:
PVC

Capacity: x Gallons
Max Temp.: 100 F
Max Press.: 150 PSI
Weight: 4.5 Lbs.
Voltage.: 115 VAC 1 Phs 50/60 Hz
FLA.: 0.7 amps

20	x	x
19	x	x
18	x	x
17	x	x
16	x	x
15	x	x
14	x	x
13	x	x
12	x	x
11	x	x
10	x	x
9	x	x
8	x	x
7	x	x
6	x	x
5	x	x
4	x	x
3	x	x
2	x	x
1	x	x

#	PART	DESCRIPTION
F	x	xx/xx/xx
E	x	xx/xx/xx
D	x	xx/xx/xx
C	x	xx/xx/xx
B	x	xx/xx/xx

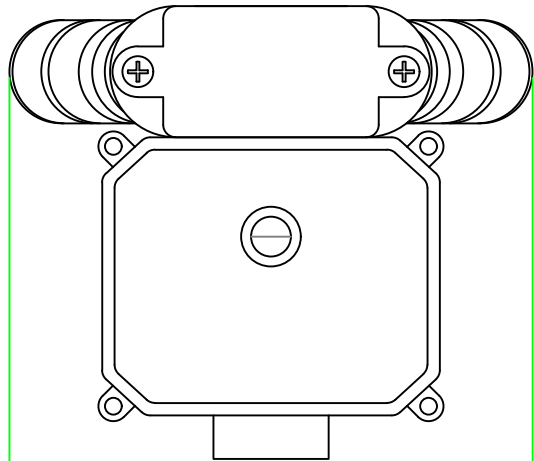
REV	DESCRIPTION	DATE

General Treatment Products, Inc.
 PO Box 8697, Brea, CA 92822
 Phone: 714) 257-9165 <http://www.gtpcompany.com>
 Fax: 714) 257-9215 customerservice@gtpcompany.com

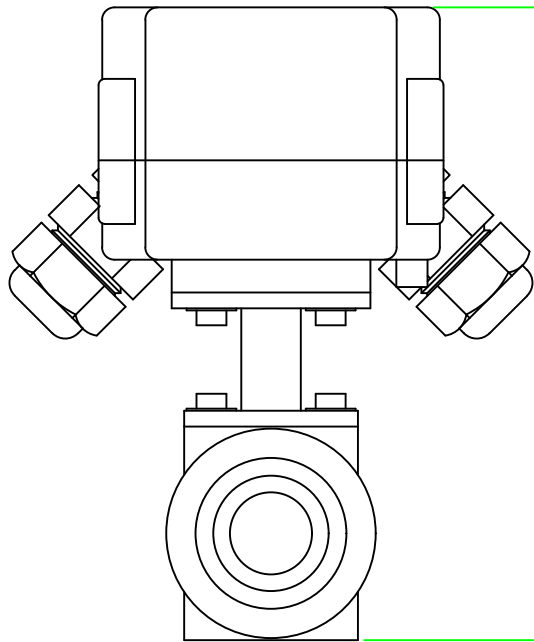
Date: 1/1/16 Scale: NTS Rev.: A

Description:
MOTO-G MOTORIZED BALL VALVE

Model:
MGV05P

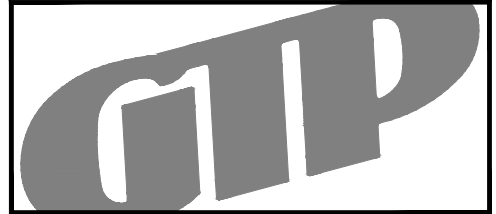
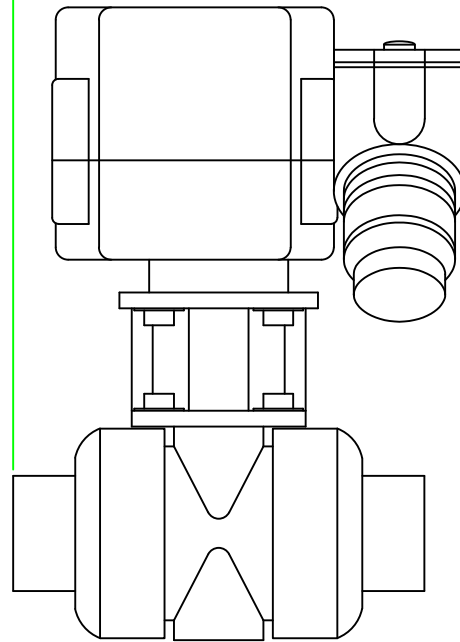


5 1/4



6 3/8

4 9/16



MATERIALS OF CONSTRUCTION:
PVC

Capacity: x Gallons
Max Temp.: 100 F
Max Press.: 150 PSI
Weight: 4.5 Lbs.
Voltage.: 115 VAC 1 Phs 50/60 Hz
FLA.: 0.7 amps

20	x	x
19	x	x
18	x	x
17	x	x
16	x	x
15	x	x
14	x	x
13	x	x
12	x	x
11	x	x
10	x	x
9	x	x
8	x	x
7	x	x
6	x	x
5	x	x
4	x	x
3	x	x
2	x	x
1	x	x

#	PART	DESCRIPTION
F	x	xx/xx/xx
E	x	xx/xx/xx
D	x	xx/xx/xx
C	x	xx/xx/xx
B	x	xx/xx/xx

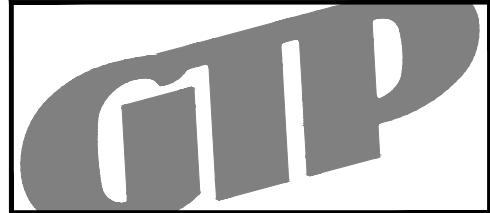
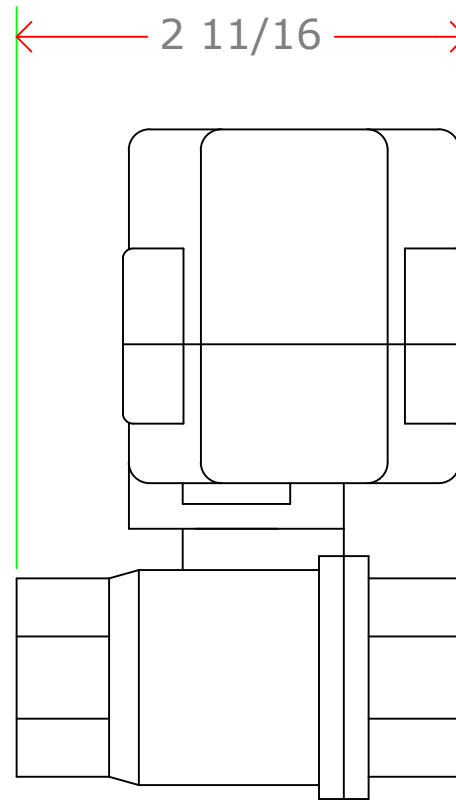
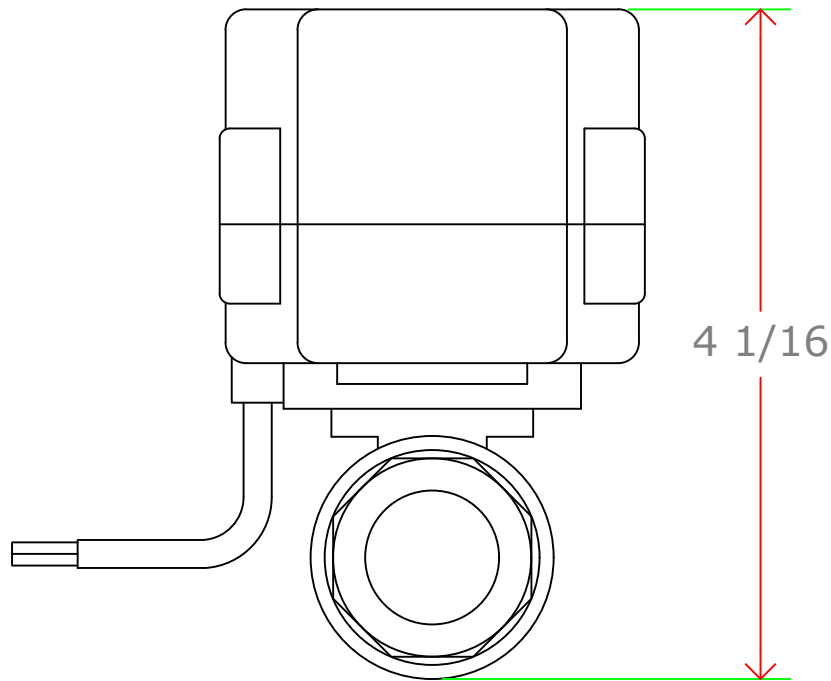
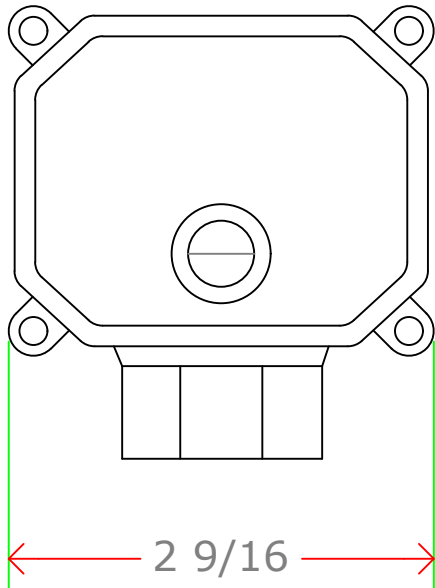
REV DESCRIPTION DATE

General Treatment Products, Inc.
 PO Box 8697, Brea, CA 92822
 Phone: 714) 257-9165 <http://www.gtpcompany.com>
 Fax: 714) 257-9215 customerservice@gtpcompany.com

Date: 1/1/16 Scale: NTS Rev.: A

Description:
MOTO-G MOTORIZED BALL VALVE

Model:
MGV05P/WP



MATERIALS OF CONSTRUCTION:
BRASS, 316SS

Capacity: x Gallons
Max Temp.: 100 F
Max Press.: 150 PSI
Weight: .81 Lbs.
Voltage.: 115 VAC 1 Phs 50/60 Hz
FLA.: 0.5 amps

20	x	x
19	x	x
18	x	x
17	x	x
16	x	x
15	x	x
14	x	x
13	x	x
12	x	x
11	x	x
10	x	x
9	x	x
8	x	x
7	x	x
6	x	x
5	x	x
4	x	x
3	x	x
2	x	x
1	x	x

#	PART	DESCRIPTION
F	x	xx/xx/xx
E	x	xx/xx/xx
D	x	xx/xx/xx
C	x	xx/xx/xx
B	x	xx/xx/xx

REV	DESCRIPTION	DATE

General Treatment Products, Inc.
 PO Box 8697, Brea, CA 92822
 Phone: 714) 257-9165 <http://www.gtpcompany.com>
 Fax: 714) 257-9215 customerservice@gtpcompany.com

Date: 1/1/16 Scale: NTS Rev.: A

Description:
MOTO-G MOTORIZED BALL VALVE

Model:
MGV07B & MGV07S



MATERIALS OF CONSTRUCTION:
BRASS, 316SS

Capacity: x Gallons
Max Temp.: 100 F
Max Press.: 150 PSI
Weight: .81 Lbs.
Voltage.: 115 VAC 1 Phs 50/60 Hz
FLA.: 0.5 amps

20	x	x
19	x	x
18	x	x
17	x	x
16	x	x
15	x	x
14	x	x
13	x	x
12	x	x
11	x	x
10	x	x
9	x	x
8	x	x
7	x	x
6	x	x
5	x	x
4	x	x
3	x	x
2	x	x
1	x	x

#	PART	DESCRIPTION
F	x	xx/xx/xx
E	x	xx/xx/xx
D	x	xx/xx/xx
C	x	xx/xx/xx
B	x	xx/xx/xx

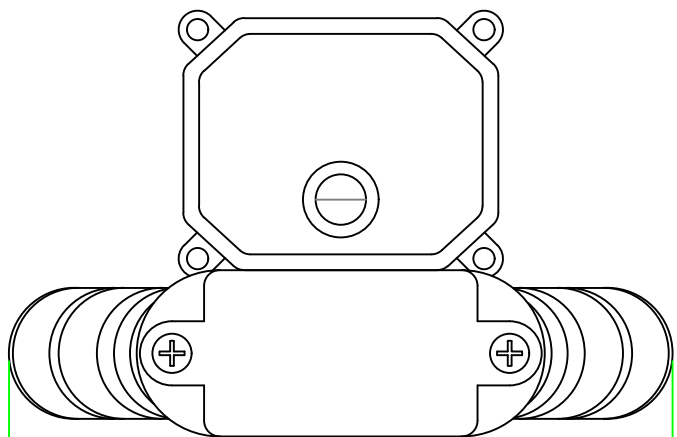
REV	DESCRIPTION	DATE

General Treatment Products, Inc.
 PO Box 8697, Brea, CA 92822
 Phone: 714) 257-9165 <http://www.gtpcompany.com>
 Fax: 714) 257-9215 customerservice@gtpcompany.com

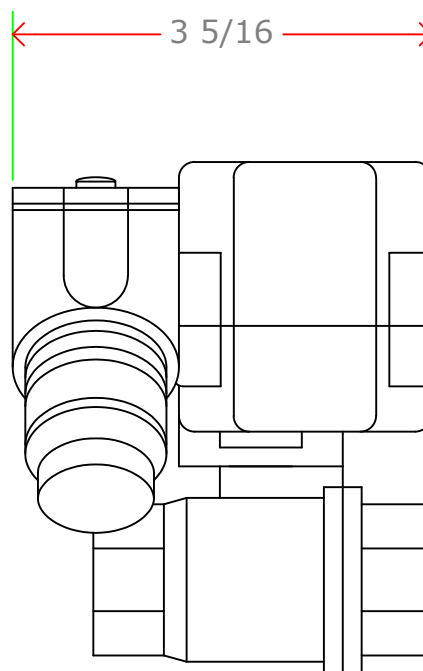
Date: 1/1/16 Scale: NTS Rev.: A

Description:
MOTO-G MOTORIZED BALL VALVE

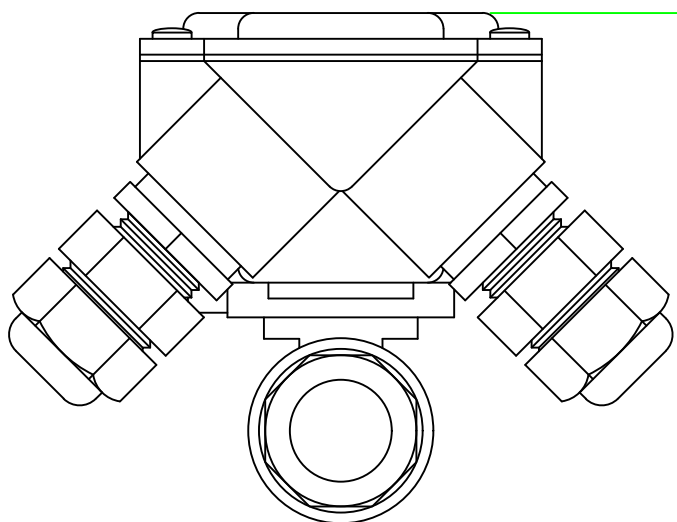
Model:
MGV07B/WP & MGV07S/WP



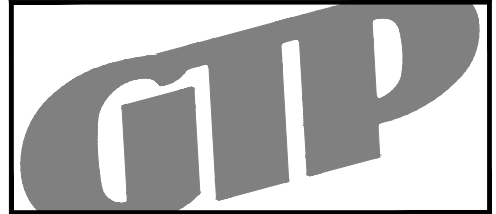
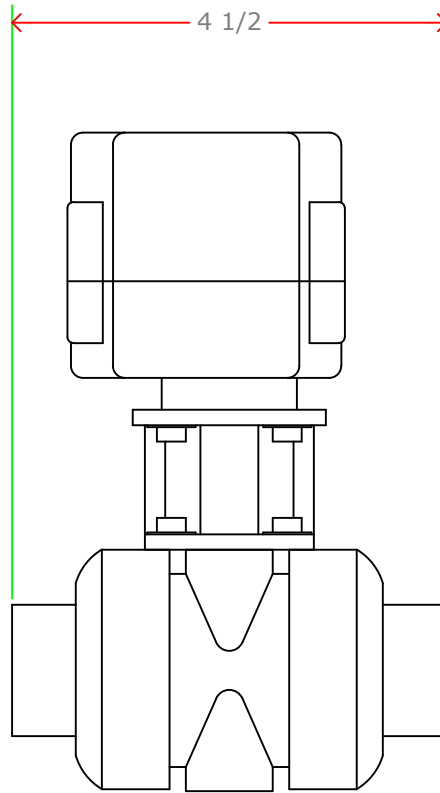
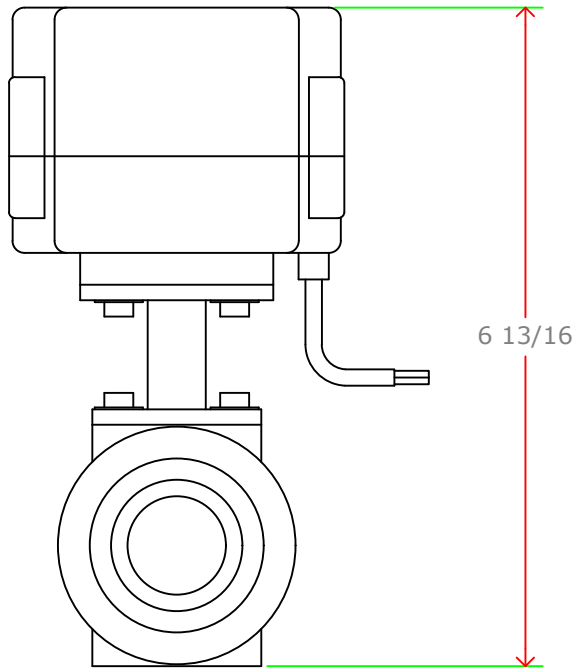
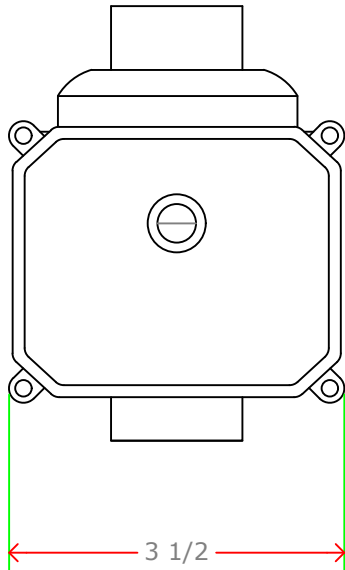
5 1/4



3 5/16



4 1/16



MATERIALS OF CONSTRUCTION:
PVC

Capacity: x Gallons
Max Temp.: 100 F
Max Press.: 150 PSI
Weight: 4.5 Lbs.
Voltage.: 115 VAC 1 Phs 50/60 Hz
FLA.: 0.7 amps

20	x	x
19	x	x
18	x	x
17	x	x
16	x	x
15	x	x
14	x	x
13	x	x
12	x	x
11	x	x
10	x	x
9	x	x
8	x	x
7	x	x
6	x	x
5	x	x
4	x	x
3	x	x
2	x	x
1	x	x

#	PART	DESCRIPTION
F	x	xx/xx/xx
E	x	xx/xx/xx
D	x	xx/xx/xx
C	x	xx/xx/xx
B	x	xx/xx/xx

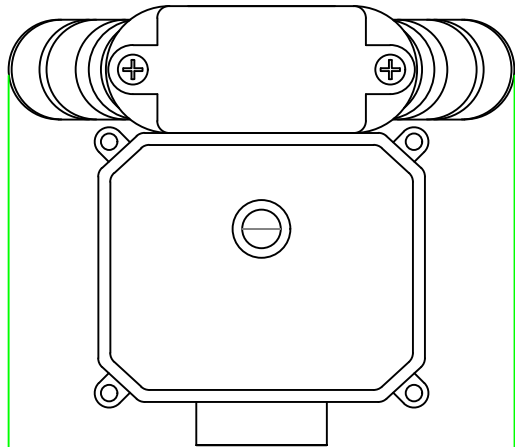
REV	DESCRIPTION	DATE
-----	-------------	------

General Treatment Products, Inc.
 PO Box 8697, Brea, CA 92822
 Phone: 714) 257-9165 <http://www.gtpcompany.com>
 Fax: 714) 257-9215 customerservice@gtpcompany.com

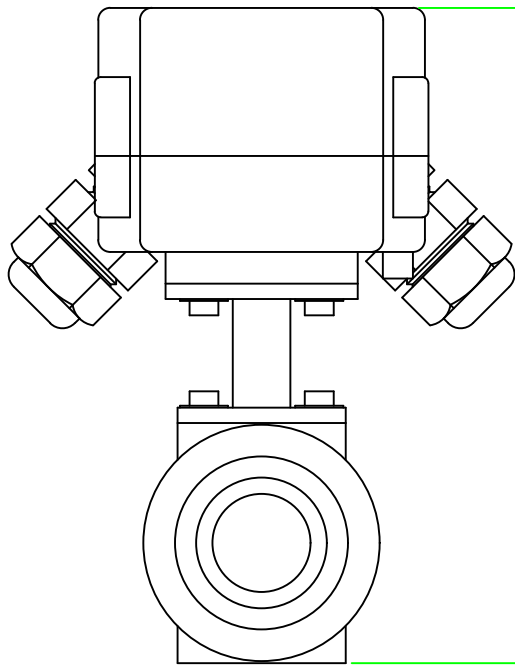
Date: 1/1/16 Scale: NTS Rev.: A

Description:
MOTO-G MOTORIZED BALL VALVE

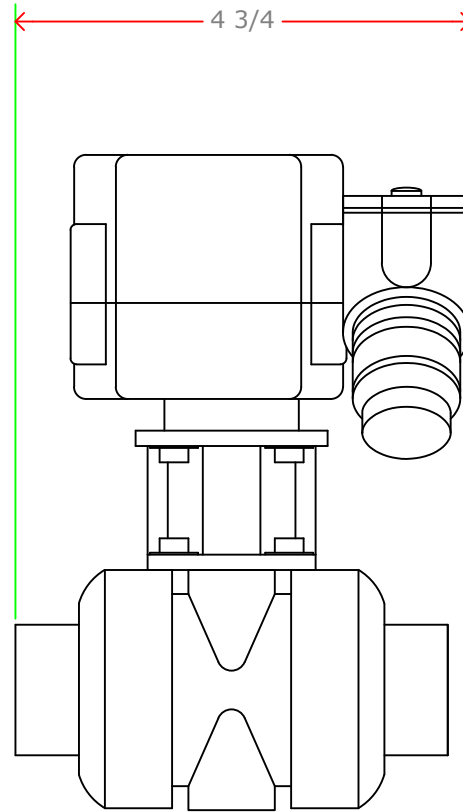
Model:
MGV07P



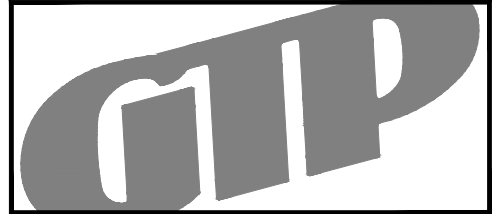
5 1/4



6 13/16



4 3/4



MATERIALS OF CONSTRUCTION:
PVC

Capacity:	x	Gallons
Max Temp.:	100	F
Max Press.:	150	PSI
Weight:	4.5	Lbs.
Voltage.:	115 VAC	1 Phs 50/60 Hz
FLA.:	0.7	amps

20	x	x
19	x	x
18	x	x
17	x	x
16	x	x
15	x	x
14	x	x
13	x	x
12	x	x
11	x	x
10	x	x
9	x	x
8	x	x
7	x	x
6	x	x
5	x	x
4	x	x
3	x	x
2	x	x
1	x	x

#	PART	DESCRIPTION
F	x	xx/xx/xx
E	x	xx/xx/xx
D	x	xx/xx/xx
C	x	xx/xx/xx
B	x	xx/xx/xx

REV	DESCRIPTION	DATE
-----	-------------	------

General Treatment Products, Inc.
 PO Box 8697, Brea, CA 92822
 Phone: 714) 257-9165 <http://www.gtpcompany.com>
 Fax: 714) 257-9215 customerservice@gtpcompany.com

Date: 1/1/16 Scale: NTS Rev.: A

Description:
MOTO-G MOTORIZED BALL VALVE

Model:
MGV07P/WP



MATERIALS OF CONSTRUCTION:
BRASS, 316SS

Capacity: x Gallons
Max Temp.: 100 F
Max Press.: 150 PSI
Weight: .81 Lbs.
Voltage.: 115 VAC 1 Phs 50/60 Hz
FLA.: 0.5 amps

20	x	x
19	x	x
18	x	x
17	x	x
16	x	x
15	x	x
14	x	x
13	x	x
12	x	x
11	x	x
10	x	x
9	x	x
8	x	x
7	x	x
6	x	x
5	x	x
4	x	x
3	x	x
2	x	x
1	x	x

#	PART	DESCRIPTION
F	x	xx/xx/xx
E	x	xx/xx/xx
D	x	xx/xx/xx
C	x	xx/xx/xx
B	x	xx/xx/xx

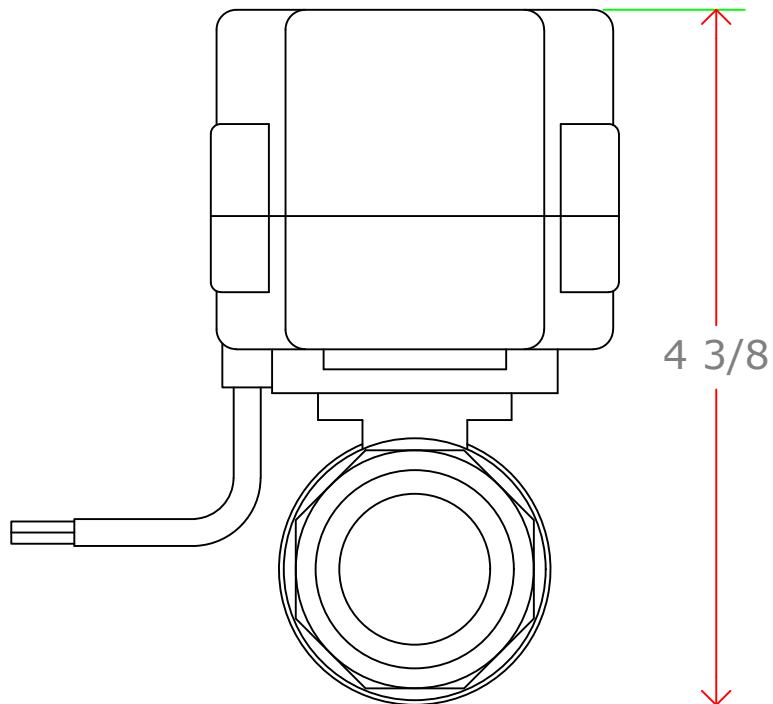
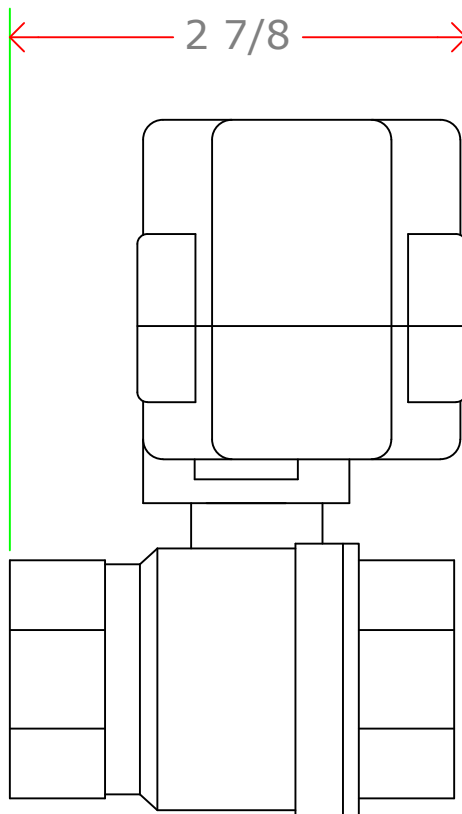
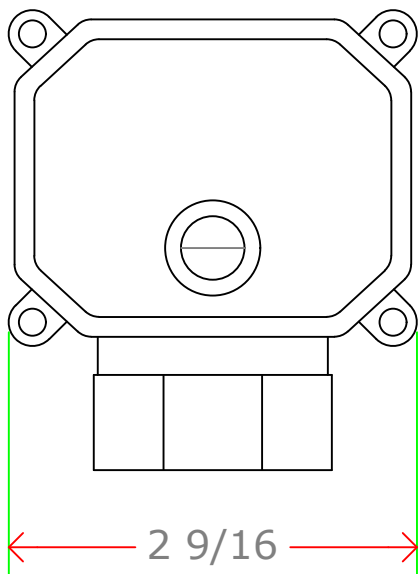
REV	DESCRIPTION	DATE

General Treatment Products, Inc.
 PO Box 8697, Brea, CA 92822
 Phone: 714) 257-9165 <http://www.gtpcompany.com>
 Fax: 714) 257-9215 customerservice@gtpcompany.com

Date: 1/1/16 Scale: NTS Rev.: A

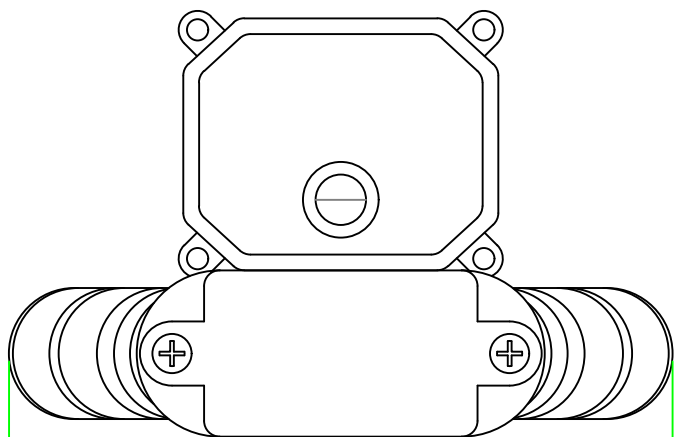
Description:
MOTO-G MOTORIZED BALL VALVE

Model:
MGV10B & MGV10S

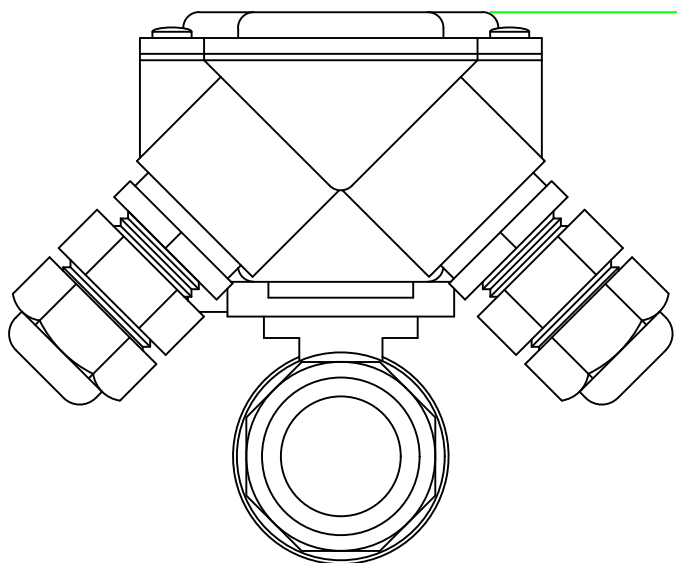




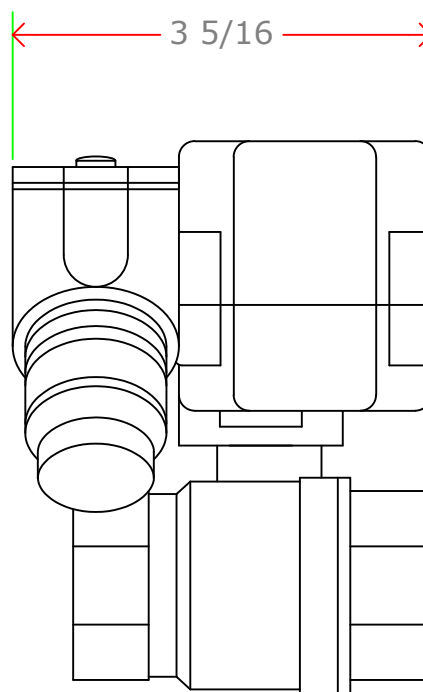
MATERIALS OF CONSTRUCTION:
BRASS, 316SS



5 1/4



4 3/8



3 5/16

Capacity: x Gallons
Max Temp.: 100 F
Max Press.: 150 PSI
Weight: .81 Lbs.
Voltage.: 115 VAC 1 Phs 50/60 Hz
FLA.: 0.5 amps

20	x	x
19	x	x
18	x	x
17	x	x
16	x	x
15	x	x
14	x	x
13	x	x
12	x	x
11	x	x
10	x	x
9	x	x
8	x	x
7	x	x
6	x	x
5	x	x
4	x	x
3	x	x
2	x	x
1	x	x

#	PART	DESCRIPTION
F	x	xx/xx/xx
E	x	xx/xx/xx
D	x	xx/xx/xx
C	x	xx/xx/xx
B	x	xx/xx/xx

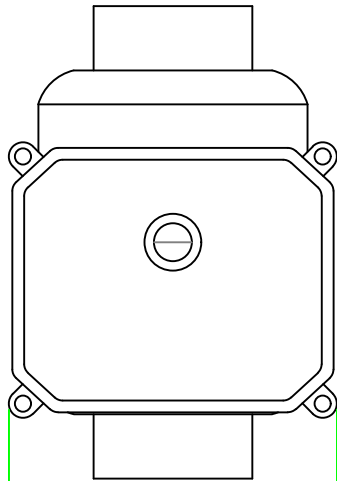
REV	DESCRIPTION	DATE

General Treatment Products, Inc.
 PO Box 8697, Brea, CA 92822
 Phone: 714) 257-9165 <http://www.gtpcompany.com>
 Fax: 714) 257-9215 customerservice@gtpcompany.com

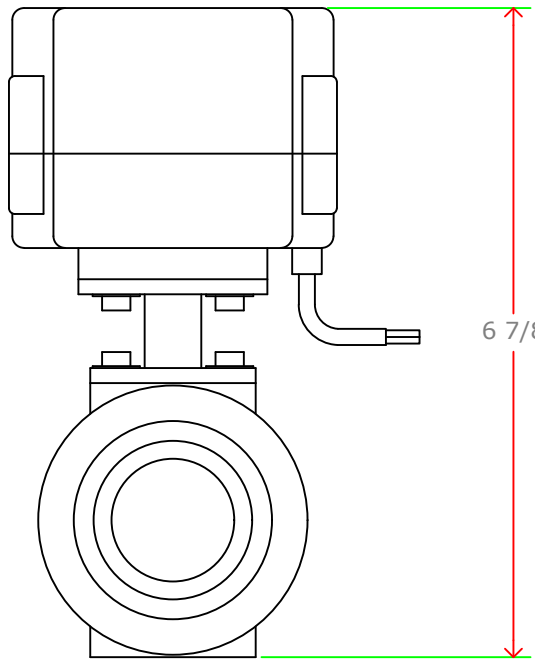
Date: 1/1/16 Scale: NTS Rev.: A

Description:
MOTO-G MOTORIZED BALL VALVE

Model:
MGV10B/WP & MGV10S/WP

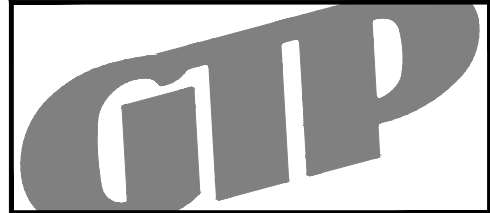
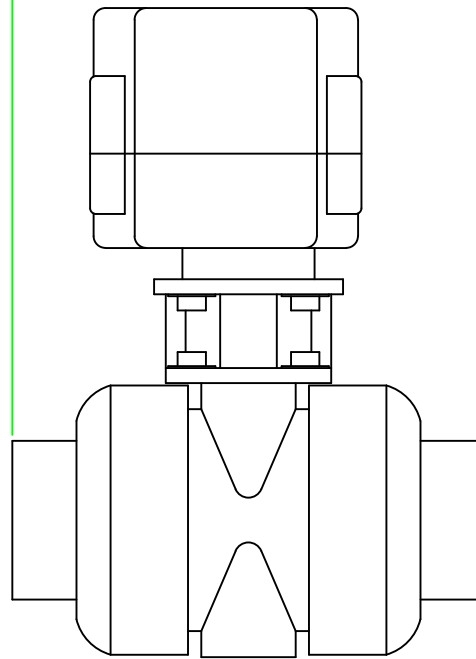


3 1/2



6 7/8

5



MATERIALS OF CONSTRUCTION:
PVC

Capacity:	x	Gallons
Max Temp.:	100	F
Max Press.:	150	PSI
Weight:	4.5	Lbs.
Voltage.:	115 VAC	1 Phs 50/60 Hz
FLA.:	0.7	amps

20	x	x
19	x	x
18	x	x
17	x	x
16	x	x
15	x	x
14	x	x
13	x	x
12	x	x
11	x	x
10	x	x
9	x	x
8	x	x
7	x	x
6	x	x
5	x	x
4	x	x
3	x	x
2	x	x
1	x	x

#	PART	DESCRIPTION
F	x	xx/xx/xx
E	x	xx/xx/xx
D	x	xx/xx/xx
C	x	xx/xx/xx
B	x	xx/xx/xx

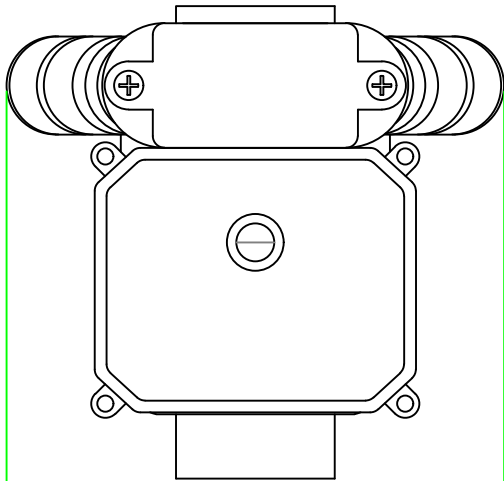
REV	DESCRIPTION	DATE
-----	-------------	------

General Treatment Products, Inc.
 PO Box 8697, Brea, CA 92822
 Phone: 714) 257-9165 <http://www.gtpcompany.com>
 Fax: 714) 257-9215 customerservice@gtpcompany.com

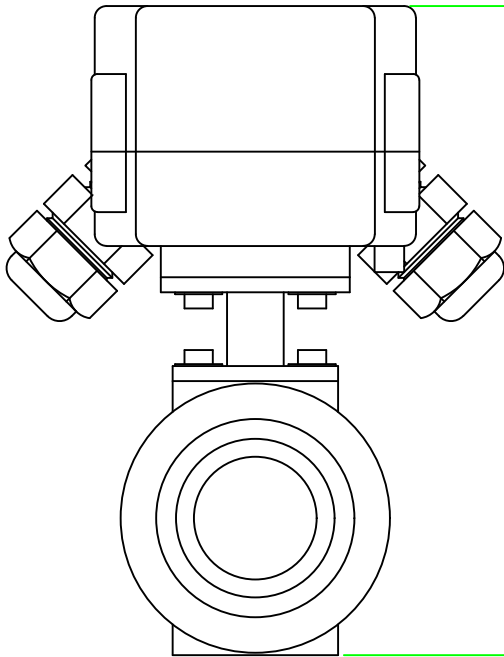
Date: 1/1/16 Scale: NTS Rev.: A

Description:
MOTO-G MOTORIZED BALL VALVE

Model:
MGV10P

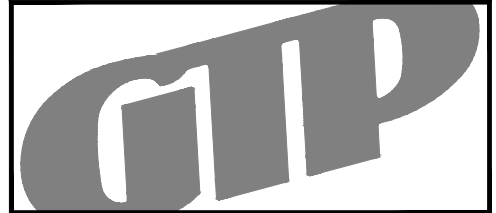
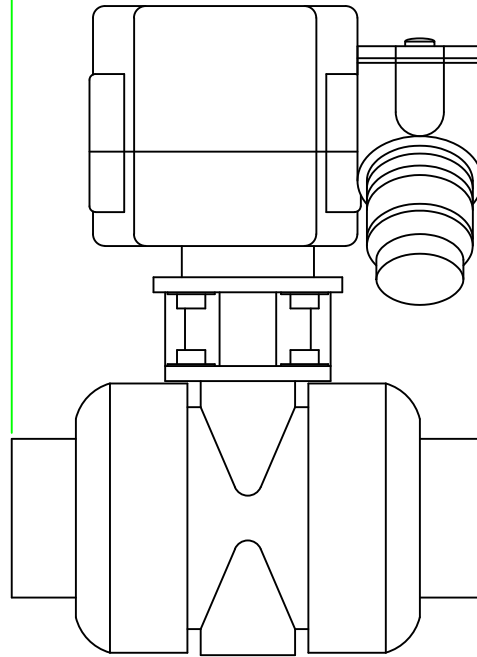


5 1/4



6 7/8

5



MATERIALS OF CONSTRUCTION:
PVC

Capacity: x Gallons
Max Temp.: 100 F
Max Press.: 150 PSI
Weight: 4.5 Lbs.
Voltage.: 115 VAC 1 Phs 50/60 Hz
FLA.: 0.7 amps

20	x	x
19	x	x
18	x	x
17	x	x
16	x	x
15	x	x
14	x	x
13	x	x
12	x	x
11	x	x
10	x	x
9	x	x
8	x	x
7	x	x
6	x	x
5	x	x
4	x	x
3	x	x
2	x	x
1	x	x

#	PART	DESCRIPTION
F	x	xx/xx/xx
E	x	xx/xx/xx
D	x	xx/xx/xx
C	x	xx/xx/xx
B	x	xx/xx/xx

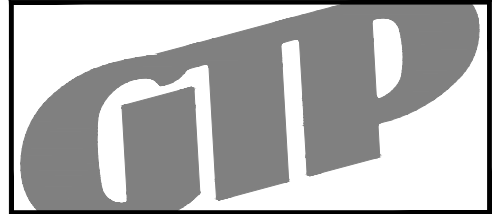
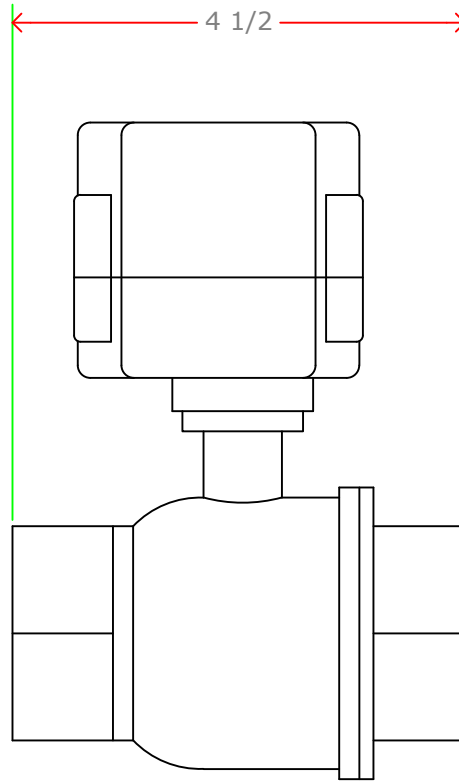
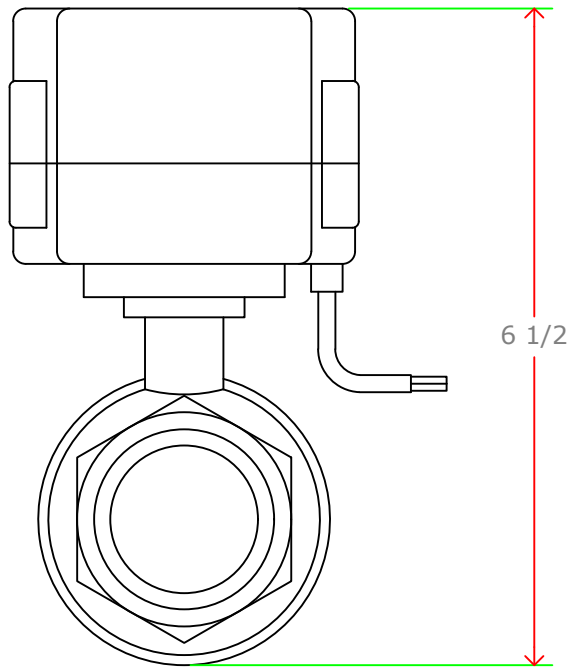
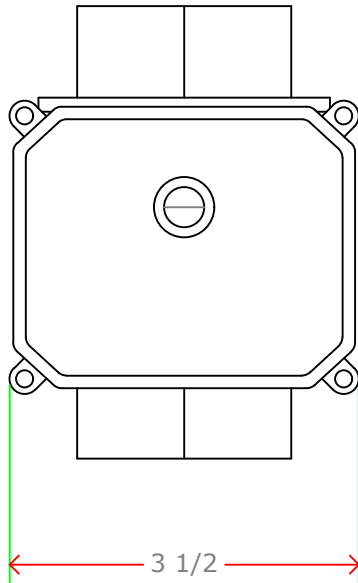
REV	DESCRIPTION	DATE

General Treatment Products, Inc.
 PO Box 8697, Brea, CA 92822
 Phone: 714) 257-9165 <http://www.gtpcompany.com>
 Fax: 714) 257-9215 customerservice@gtpcompany.com

Date: 1/1/16 Scale: NTS Rev.: A

Description:
MOTO-G MOTORIZED BALL VALVE

Model:
MGV10P/WP



MATERIALS OF CONSTRUCTION:
316SS

Capacity: x Gallons
Max Temp.: 100 F
Max Press.: 150 PSI
Weight: 4.5 Lbs.
Voltage.: 115 VAC 1 Phs 50/60 Hz
FLA.: 0.7 amps

20	x	x
19	x	x
18	x	x
17	x	x
16	x	x
15	x	x
14	x	x
13	x	x
12	x	x
11	x	x
10	x	x
9	x	x
8	x	x
7	x	x
6	x	x
5	x	x
4	x	x
3	x	x
2	x	x
1	x	x

#	PART	DESCRIPTION
F	x	xx/xx/xx
E	x	xx/xx/xx
D	x	xx/xx/xx
C	x	xx/xx/xx
B	x	xx/xx/xx

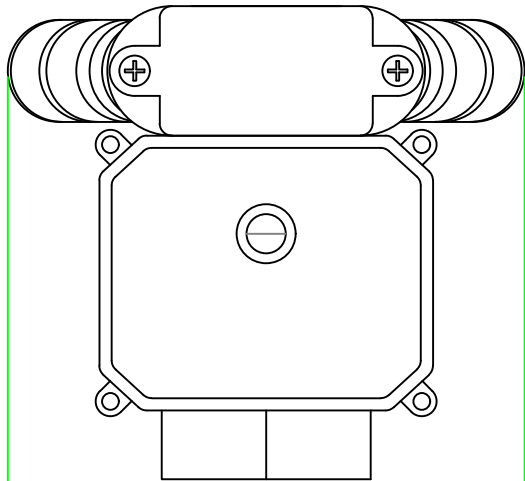
REV	DESCRIPTION	DATE

General Treatment Products, Inc.
 PO Box 8697, Brea, CA 92822
 Phone: 714) 257-9165 <http://www.gtpcompany.com>
 Fax: 714) 257-9215 customerservice@gtpcompany.com

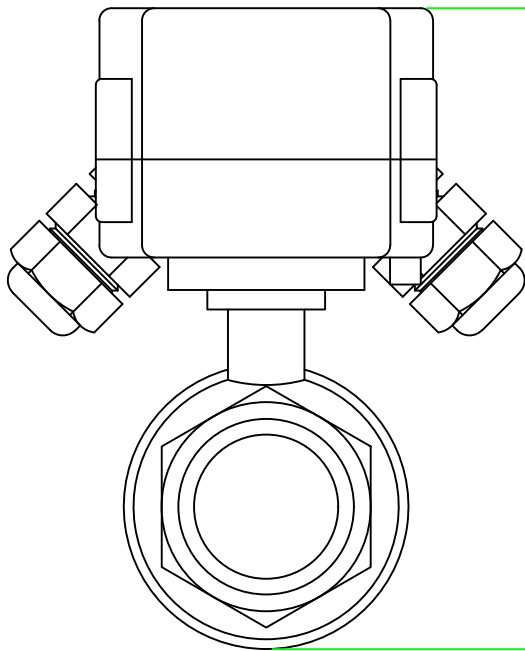
Date: 1/1/16 Scale: NTS Rev.: A

Description:
MOTO-G MOTORIZED BALL VALVE

Model:
MGV15S

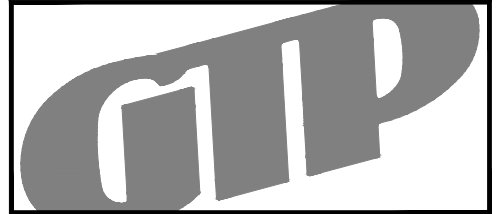
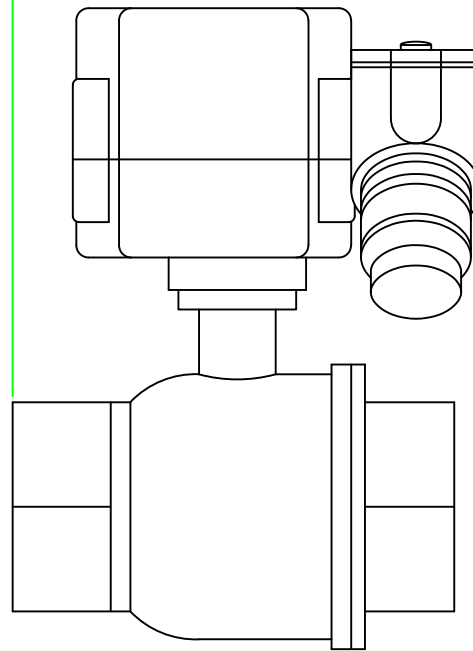


5 1/4



6 1/2

4 3/4



MATERIALS OF CONSTRUCTION:
316SS

Capacity: x Gallons
Max Temp.: 100 F
Max Press.: 150 PSI
Weight: 4.5 Lbs.
Voltage.: 115 VAC 1 Phs 50/60 Hz
FLA.: 0.7 amps

20	x	x
19	x	x
18	x	x
17	x	x
16	x	x
15	x	x
14	x	x
13	x	x
12	x	x
11	x	x
10	x	x
9	x	x
8	x	x
7	x	x
6	x	x
5	x	x
4	x	x
3	x	x
2	x	x
1	x	x

#	PART	DESCRIPTION
F	x	xx/xx/xx
E	x	xx/xx/xx
D	x	xx/xx/xx
C	x	xx/xx/xx
B	x	xx/xx/xx

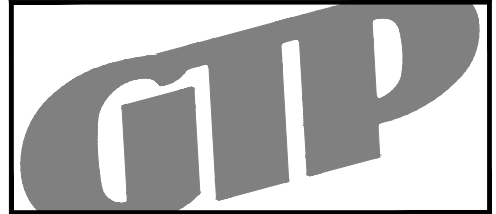
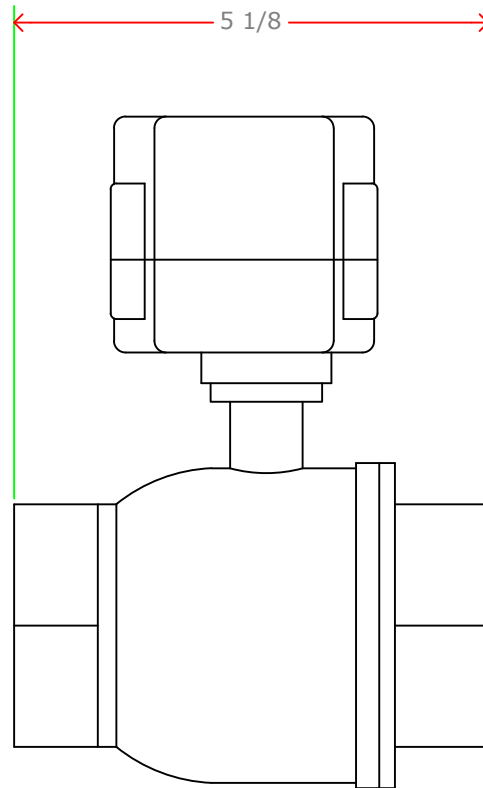
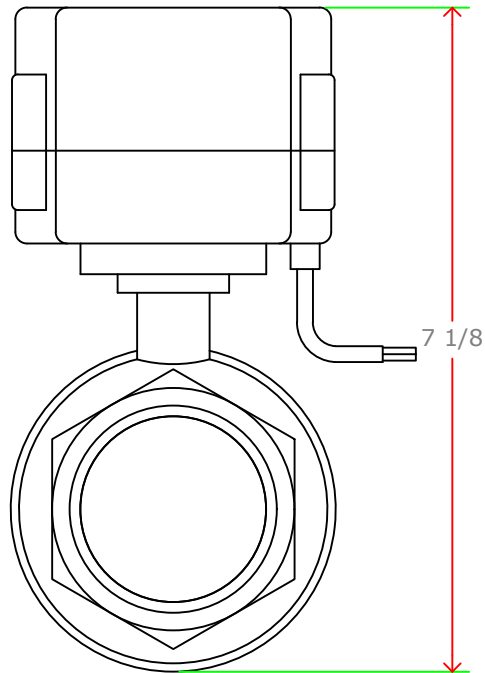
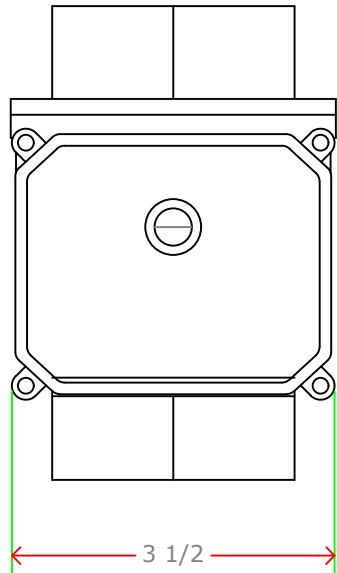
REV	DESCRIPTION	DATE

General Treatment Products, Inc.
 PO Box 8697, Brea, CA 92822
 Phone: 714) 257-9165 <http://www.gtpcompany.com>
 Fax: 714) 257-9215 customerservice@gtpcompany.com

Date: 1/1/16 Scale: NTS Rev.: A

Description:
MOTO-G MOTORIZED BALL VALVE

Model:
MGV15S/WP



MATERIALS OF CONSTRUCTION:
316SS

Capacity: x Gallons
Max Temp.: 100 F
Max Press.: 150 PSI
Weight: 4.5 Lbs.
Voltage.: 115 VAC 1 Phs 50/60 Hz
FLA.: 0.7 amps

20	x	x
19	x	x
18	x	x
17	x	x
16	x	x
15	x	x
14	x	x
13	x	x
12	x	x
11	x	x
10	x	x
9	x	x
8	x	x
7	x	x
6	x	x
5	x	x
4	x	x
3	x	x
2	x	x
1	x	x

#	PART	DESCRIPTION
F	x	xx/xx/xx
E	x	xx/xx/xx
D	x	xx/xx/xx
C	x	xx/xx/xx
B	x	xx/xx/xx

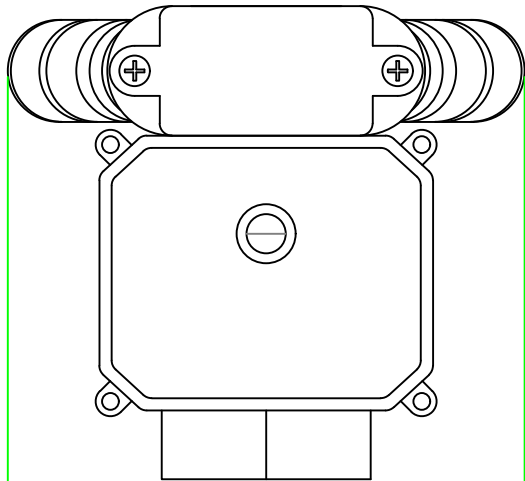
REV	DESCRIPTION	DATE

General Treatment Products, Inc.
 PO Box 8697, Brea, CA 92822
 Phone: 714) 257-9165 <http://www.gtpcompany.com>
 Fax: 714) 257-9215 customerservice@gtpcompany.com

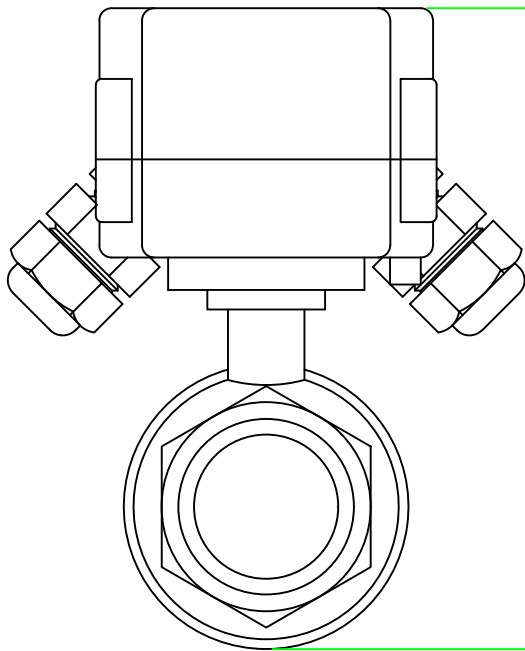
Date: 1/1/16 Scale: NTS Rev.: A

Description:
MOTO-G MOTORIZED BALL VALVE

Model:
MGV20S

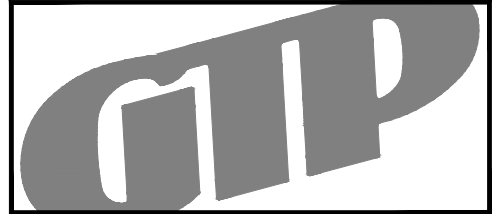
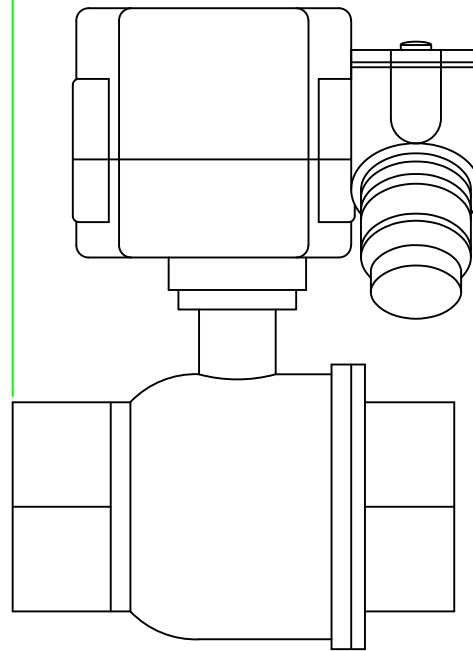


5 1/4



6 1/2

4 3/4



MATERIALS OF CONSTRUCTION:
316SS

Capacity: x Gallons
Max Temp.: 100 F
Max Press.: 150 PSI
Weight: 4.5 Lbs.
Voltage.: 115 VAC 1 Phs 50/60 Hz
FLA.: 0.7 amps

20	x	x
19	x	x
18	x	x
17	x	x
16	x	x
15	x	x
14	x	x
13	x	x
12	x	x
11	x	x
10	x	x
9	x	x
8	x	x
7	x	x
6	x	x
5	x	x
4	x	x
3	x	x
2	x	x
1	x	x

#	PART	DESCRIPTION
F	x	xx/xx/xx
E	x	xx/xx/xx
D	x	xx/xx/xx
C	x	xx/xx/xx
B	x	xx/xx/xx

REV	DESCRIPTION	DATE
-----	-------------	------

General Treatment Products, Inc.
 PO Box 8697, Brea, CA 92822
 Phone: 714) 257-9165 <http://www.gtpcompany.com>
 Fax: 714) 257-9215 customerservice@gtpcompany.com

Date: 1/1/16 Scale: NTS Rev.: A

Description:
MOTO-G MOTORIZED BALL VALVE

Model:
MGV15S/WP