

Dimensions:

X	X	X	X	X	X	X	X	X
X	X	X	X	X	X	X	X	X
X	X	X	X	X	X	X	X	X
X	X	X	X	X	X	X	X	X
TS500	64	3	53	41.8	X	X	X	184 lbs
TS360	52	3	49	39	X	X	X	158 lbs
TS275	52	3	43	34.5	X	X	X	89 lbs
TS260	63	3	38	31.3	X	X	X	84 lbs
TS200	52	3	37	29.3	X	X	X	78 lbs
TS150	52	3	32	25.8	X	X	X	68 lbs
TS100	50	3	28	23	X	X	X	58 lbs
TS80	52	3	25	20.8	X	X	X	47 lbs
TS65	44	3	23	19.3	X	X	X	42 lbs
TS55	38	3	23.5	19.8	X	X	X	39 lbs
TS30	32	3	19	16.5	X	X	X	28 lbs
TS17	20	3	19	16.5	X	X	X	25 lbs
TS15	25	3	16	14.5	X	X	X	22 lbs
TS10	24	3	14.5	14.3	X	X	X	19 lbs
TS7.5	20	3	13.5	12.5	X	X	X	17 lbs

Model	A	B	C	D	E	F	G	Weight
-------	---	---	---	---	---	---	---	--------

Materials of Construction:

Carbon Steel

12	X	X
11	X	X
10	X	X
9	X	X
8	X	X
7	X	X
6	X	X
5	X	X
4	X	X
3	X	X
2	X	X
1	X	X

#	Part	Description
---	------	-------------



Phone: 714-257-9165
 Fax: 714-257-9215
www.gtpcompany.com

Drwn By:	JC
Date:	12/1/10
Scale:	NTS
Rev:	A

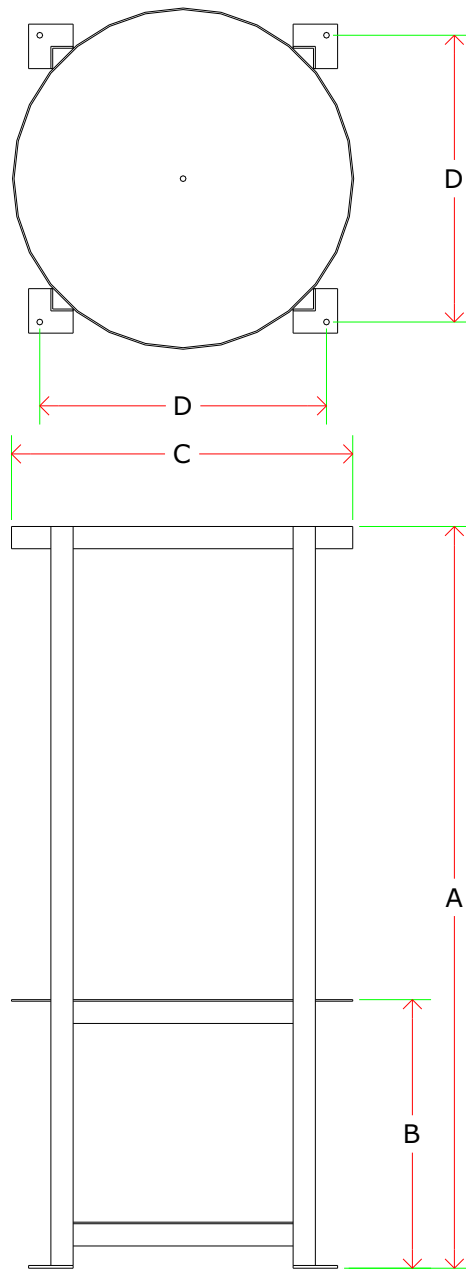
Related Items:	X
-----------------------	---

D	X	X
C	X	X
B	X	X
Rev.	Description	Date

Notes:
 1)

Notice
 This drawing and its content are for the specific use of GTP customers only. It is not to be duplicated or copied without expressed written content of General Treatment Products, Inc. We Reserve the right to modify this drawing with out notice.

Description:
 Tank Stand (Standard)
Model:
 TS XX



Dimensions:

X	X	X	X	X	X	X	X	X
X	X	X	X	X	X	X	X	X
X	X	X	X	X	X	X	X	X
X	X	X	X	X	X	X	X	X
TS500-B	76	18	53	41.8	X	X	X	250 lbs
TS360-B	64	18	49	39	X	X	X	215 lbs
TS275-B	64	18	43	34.5	X	X	X	133 lbs
TS260-B	75	18	38	31.3	X	X	X	126 lbs
TS200-B	64	18	37	29.3	X	X	X	114 lbs
TS150-B	64	18	32	25.8	X	X	X	98 lbs
TS100-B	62	18	28	23	X	X	X	84 lbs
TS80-B	64	18	25	20.8	X	X	X	65 lbs
TS65-B	56	18	23	19.3	X	X	X	64 lbs
TS55-B	50	18	23.5	19.8	X	X	X	59 lbs
TS30-B	44	18	19	16.5	X	X	X	48 lbs
TS17-B	32	18	19	16.5	X	X	X	48 lbs
TS15-B	37	18	16	14.5	X	X	X	40 lbs
TS10-B	36	18	14.5	14.3	X	X	X	35 lbs
TS7.5-B	32	18	13.5	12.5	X	X	X	32 lbs

Model	A	B	C	D	E	F	G	Weight
-------	---	---	---	---	---	---	---	--------

Materials of Construction:
High Density Polyethylene

12	X	X
11	X	X
10	X	X
9	X	X
8	X	X
7	X	X
6	X	X
5	X	X
4	X	X
3	X	X
2	X	X
1	X	X

#	Part	Description
---	------	-------------



General Treatment Products, Inc.

Phone: 714-257-9165
Fax: 714-257-9215
www.gtpcompany.com

Drwn By: JC	Related Items: X
Date: 12/1/10	
Scale: NTS	
Rev: A	

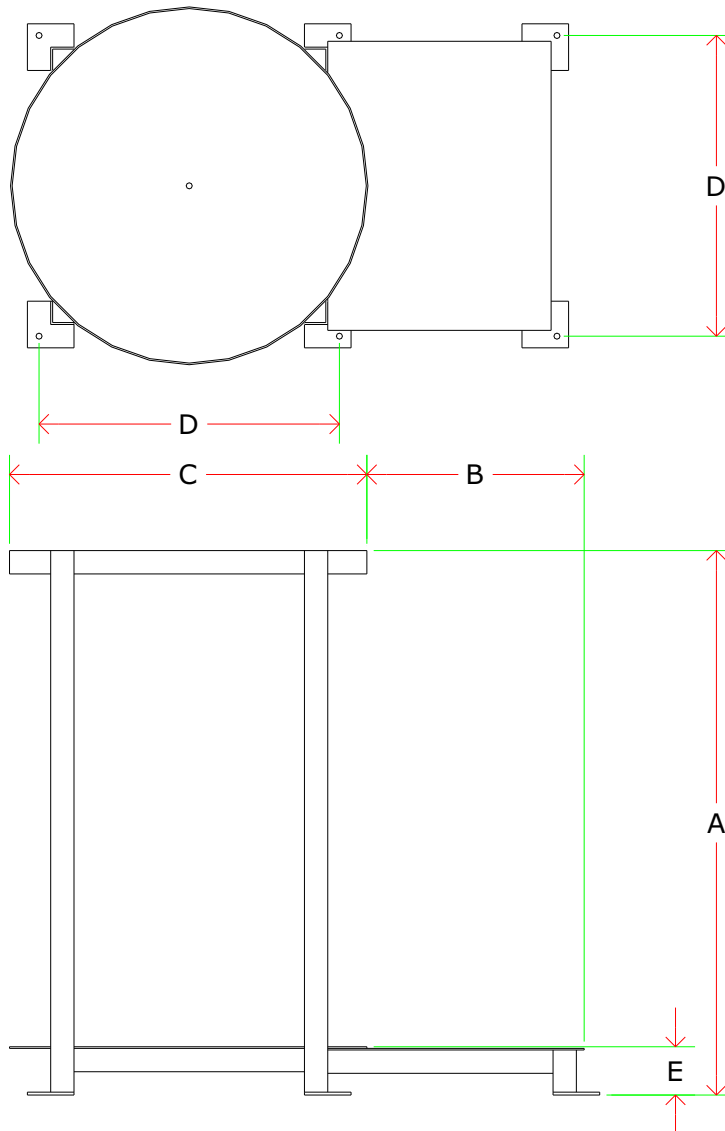
D	X	X
C	X	X
B	X	X
Rev.	Description	Date

Notes:
1)

Notice
This drawing and its content are for the specific use of GTP customers only. It is not to be duplicated or copied without expressed written content of General Treatment Products, Inc. We Reserve the right to modify this drawing with out notice.

Description:
Tank Stand, Bottom Mount

Model:
TS xx-B



Dimensions:

X	X	X	X	X	X	X	X	X
X	X	X	X	X	X	X	X	X
X	X	X	X	X	X	X	X	X
X	X	X	X	X	X	X	X	X
TS500-S	64	24	53	41.8	3	X	X	265 lbs
TS360-S	52	24	49	39	3	X	X	260 lbs
TS275-S	52	18	43	34.5	3	X	X	136 lbs
TS260-S	63	18	38	31.3	3	X	X	124 lbs
TS200-S	52	18	37	29.3	3	X	X	118 lbs
TS150-S	52	16	32	25.8	3	X	X	102 lbs
TS100-S	50	16	28	23	3	X	X	85 lbs
TS80-S	52	14	25	20.8	3	X	X	72 lbs
TS65-S	44	14	23	19.3	3	X	X	64 lbs
TS55-S	38	14	23.5	19.8	3	X	X	59 lbs
TS30-S	32	14	19	16.5	3	X	X	48 lbs
TS17-S	20	12	19	16.5	3	X	X	42 lbs
TS15-S	25	12	16	14.5	3	X	X	37 lbs
TS10-S	24	12	14.5	14.3	3	X	X	35 lbs
TS7.5-S	20	12	13.5	12.5	3	X	X	33 lbs

Model	A	B	C	D	E	F	G	Weight
-------	---	---	---	---	---	---	---	--------

Materials of Construction:

High Density Polyethylene

12	X	X
11	X	X
10	X	X
9	X	X
8	X	X
7	X	X
6	X	X
5	X	X
4	X	X
3	X	X
2	X	X
1	X	X

#	Part	Description
---	------	-------------



Phone: 714-257-9165
 Fax: 714-257-9215
www.gtpcompany.com

Drwn By: JC
 Date: 12/1/10
 Scale: NTS
 Rev: A

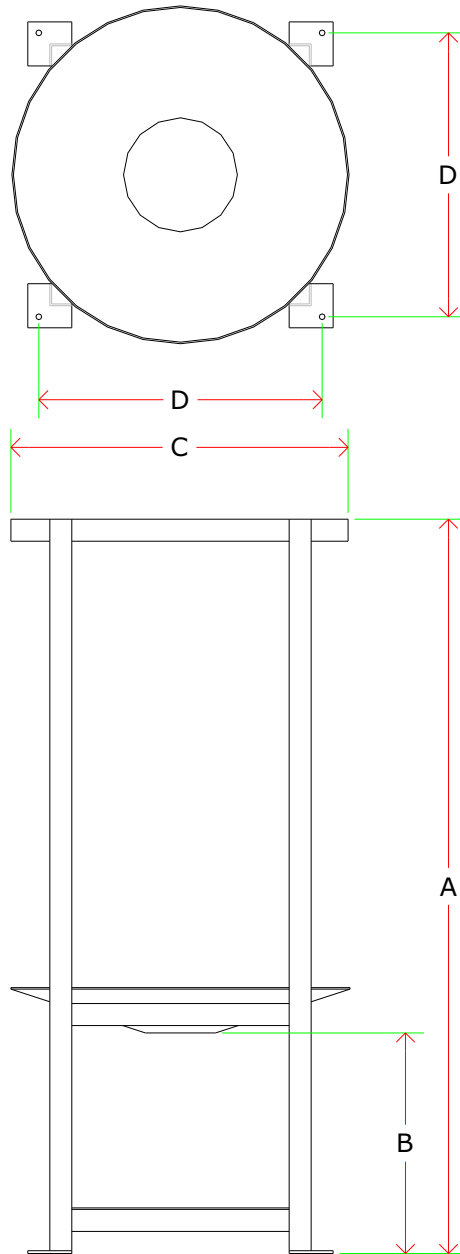
Related Items:
 X

D	X	X
C	X	X
B	X	X
Rev.	Description	Date

Notes:
 1)

Notice
 This drawing and its content are for the specific use of GTP customers only. It is not to be duplicated or copied without expressed written content of General Treatment Products, Inc. We Reserve the right to modify this drawing with out notice.

Description:
 Tank Stand, Side Mount
Model:
 TS XX-S



Dimensions:

X	X	X	X	X	X	X	X	X
X	X	X	X	X	X	X	X	X
X	X	X	X	X	X	X	X	X
X	X	X	X	X	X	X	X	X
X	X	X	X	X	X	X	X	X
X	X	X	X	X	X	X	X	X
X	X	X	X	X	X	X	X	X
X	X	X	X	X	X	X	X	X
X	X	X	X	X	X	X	X	X
X	X	X	X	X	X	X	X	X
X	X	X	X	X	X	X	X	X
X	X	X	X	X	X	X	X	X
X	X	X	X	X	X	X	X	X
X	X	X	X	X	X	X	X	X
X	X	X	X	X	X	X	X	X
X	X	X	X	X	X	X	X	X

CTS275	77	18	43.5	35	X	X	X	97 lbs
CTS200	81	18	37	29.3	X	X	X	94 lbs
CTS100	63	18	33	26.5	X	X	X	87 lbs
CTS70	71	18	23.3	19.5	X	X	X	64 lbs
CTS55	71	18	23	19.3	X	X	X	59 lbs
CTS30	61	18	19.5	16.9	X	X	X	50 lbs
CTS15	51	18	19	16.5	X	X	X	42 lbs
CTS10	45	18	19	16.5	X	X	X	36 lbs
CTS5	45	18	13	12.3	X	X	X	31 lbs

Model	A	B	C	D	E	F	G	Weight
-------	---	---	---	---	---	---	---	--------

Materials of Construction:

High Density Polyethylene

12	X	X
11	X	X
10	X	X
9	X	X
8	X	X
7	X	X
6	X	X
5	X	X
4	X	X
3	X	X
2	X	X
1	X	X

#	Part	Description
---	------	-------------



Phone: 714-257-9165
 Fax: 714-257-9215
www.gtpcompany.com

Drwn By: JC	Related Items: X
Date: 12/1/10	
Scale: NTS	
Rev: A	

D	X	X
C	X	X
B	X	X
Rev.	Description	Date

Notes:
1)

Notice
This drawing and its content are for the specific use of GTP customers only. It is not to be duplicated or copied without expressed written content of General Treatment Products, Inc. We Reserve the right to modify this drawing with out notice.

Description:
Tank Stand, Conical
Model:
CTS XX