

MATERIALS OF CONSTRUCTION:
CARBON STEEL

Capacity: 4-9 Gallons
Max Temp.: 200 F
Max Press.: 150 PSI
Weight: 106 Lbs.
Voltage.: x VAC x Phs x Hz
FLA.: x amps

20	x	x
19	x	x
18	x	x
17	x	x
16	x	x
15	x	x
14	x	x
13	x	x
12	x	x
11	x	x
10	x	x
9	x	x
8	x	x
7	x	x
6	x	x
5	x	x
4	x	x
3	x	x
2	x	x
1	x	x

#	PART	DESCRIPTION	DATE
F	x		xx/xx/xx
E	x		xx/xx/xx
D	x		xx/xx/xx
C	x		xx/xx/xx
B	x		xx/xx/xx

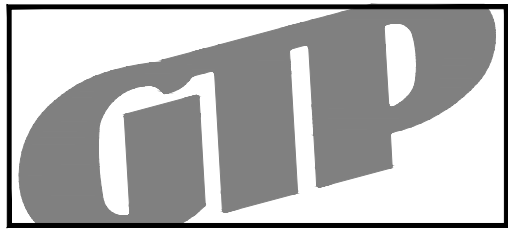
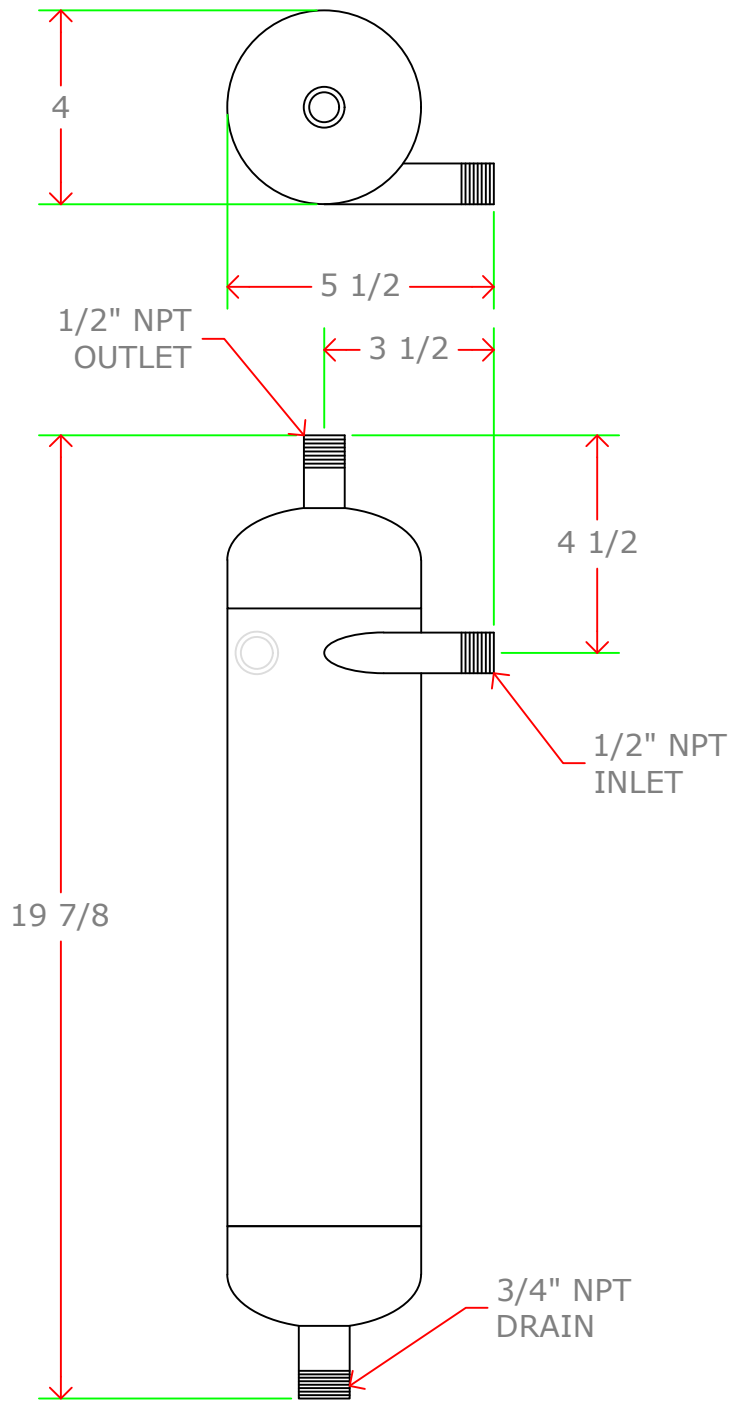
REV DESCRIPTION DATE

General Treatment Products, Inc.
 PO Box 8697, Brea, CA 92822
 Phone: 714) 257-9165 <http://www.gtpcompany.com>
 Fax: 714) 257-9215 customerservice@gtpcompany.com

Date: 1/1/14 Scale: NTS Rev.: A

Description:
3/8" 4-9 GPM THREADED SEPARATOR

Model:
STX-0038



MATERIALS OF CONSTRUCTION:
 CARBON STEEL

Capacity:	6-12 Gallons
Max Temp.:	200 F
Max Press.:	150 PSI
Weight:	113 Lbs.
Voltage.:	x VAC x Phs x Hz
FLA.:	x amps

20	x	x
19	x	x
18	x	x
17	x	x
16	x	x
15	x	x
14	x	x
13	x	x
12	x	x
11	x	x
10	x	x
9	x	x
8	x	x
7	x	x
6	x	x
5	x	x
4	x	x
3	x	x
2	x	x
1	x	x

#	PART	DESCRIPTION
F	x	xx/xx/xx
E	x	xx/xx/xx
D	x	xx/xx/xx
C	x	xx/xx/xx
B	x	xx/xx/xx

REV	DESCRIPTION	DATE
-----	-------------	------

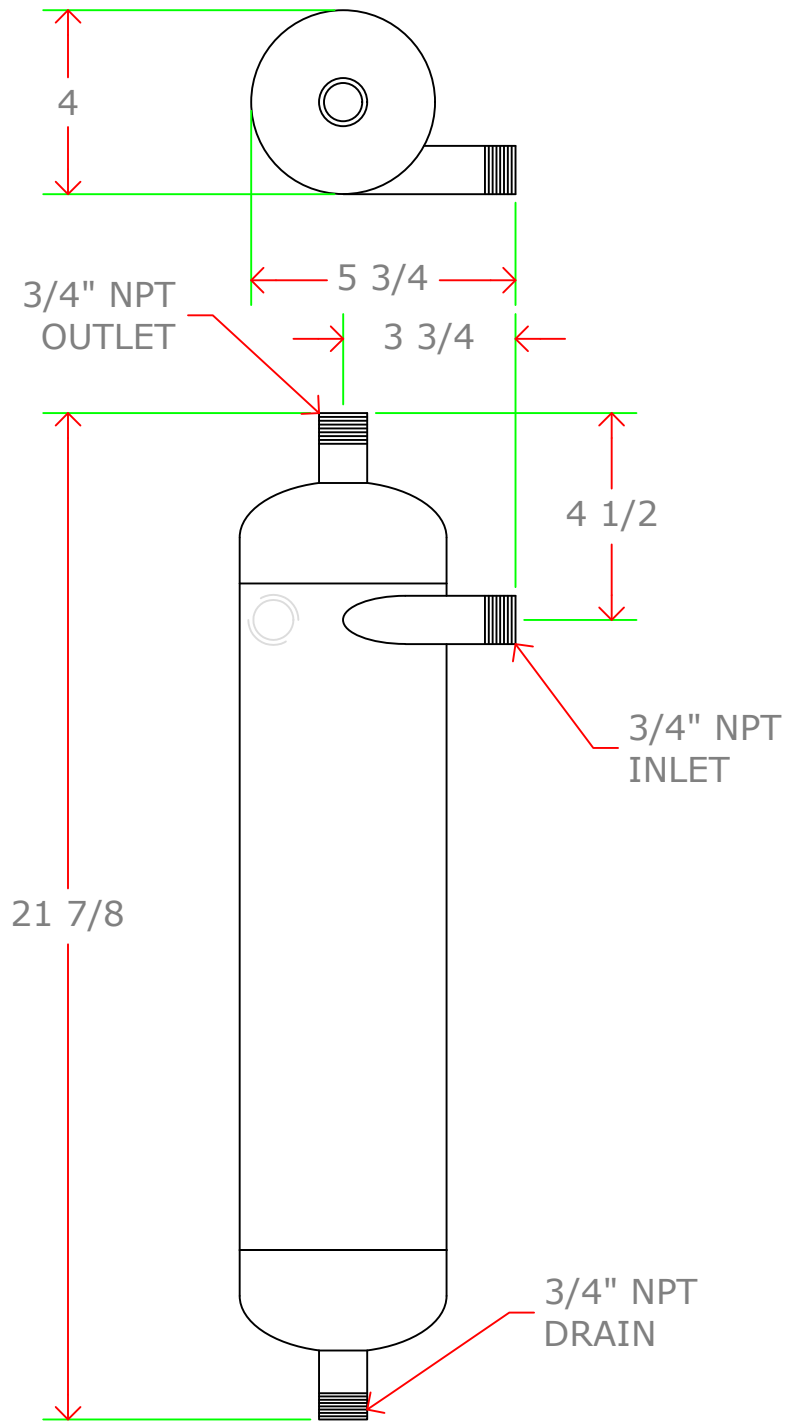
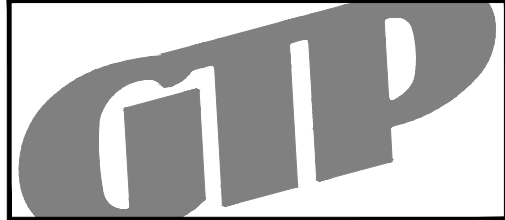
General Treatment Products, Inc.
 PO Box 8697, Brea, CA 92822
 Phone: 714) 257-9165 <http://www.gtpcompany.com>
 Fax: 714) 257-9215 customerservice@gtpcompany.com

Date: 1/1/14 Scale: NTS Rev.: A

Description:
 1/2" 6-12 GPM THREADED SEPARATOR

Model:
 STX-0050

NOTICE: This drawing and its contents are for the specific use of GTP customers only. It is not to be duplicated or copied without expressed written consent of General Treatment Products, Inc. We reserve the right to modify this drawing without notice.



MATERIALS OF CONSTRUCTION:
CARBON STEEL

Capacity: 12-23 Gallons
Max Temp.: 200 F
Max Press.: 150 PSI
Weight: 124 Lbs.
Voltage.: x VAC x Phs x Hz
FLA.: x amps

20	x	x
19	x	x
18	x	x
17	x	x
16	x	x
15	x	x
14	x	x
13	x	x
12	x	x
11	x	x
10	x	x
9	x	x
8	x	x
7	x	x
6	x	x
5	x	x
4	x	x
3	x	x
2	x	x
1	x	x

#	PART	DESCRIPTION
F	x	xx/xx/xx
E	x	xx/xx/xx
D	x	xx/xx/xx
C	x	xx/xx/xx
B	x	xx/xx/xx

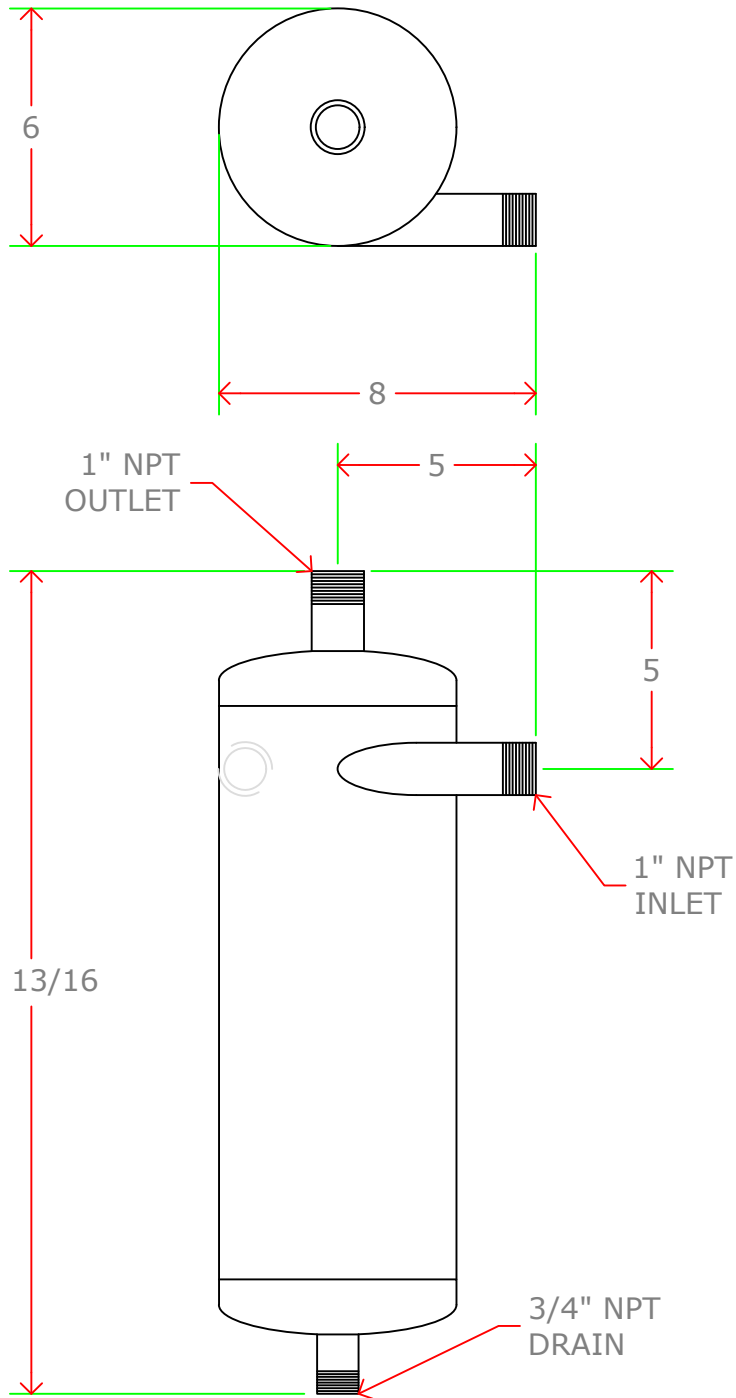
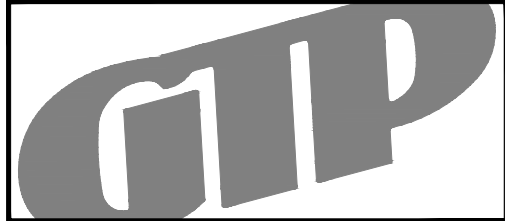
REV	DESCRIPTION	DATE
-----	-------------	------

General Treatment Products, Inc.
 PO Box 8697, Brea, CA 92822
 Phone: 714) 257-9165 <http://www.gtpcompany.com>
 Fax: 714) 257-9215 customerservice@gtpcompany.com

Date: 1/1/14 Scale: NTS Rev.: A

Description:
3/4" 12-23 GPM THREADED SEPARATOR

Model:
STX-0075



MATERIALS OF CONSTRUCTION:
CARBON STEEL

Capacity: 22-38 Gallons
Max Temp.: 200 F
Max Press.: 150 PSI
Weight: 130 Lbs.
Voltage.: x VAC x Phs x Hz
FLA.: x amps

20	x	x
19	x	x
18	x	x
17	x	x
16	x	x
15	x	x
14	x	x
13	x	x
12	x	x
11	x	x
10	x	x
9	x	x
8	x	x
7	x	x
6	x	x
5	x	x
4	x	x
3	x	x
2	x	x
1	x	x

#	PART	DESCRIPTION
F	x	xx/xx/xx
E	x	xx/xx/xx
D	x	xx/xx/xx
C	x	xx/xx/xx
B	x	xx/xx/xx

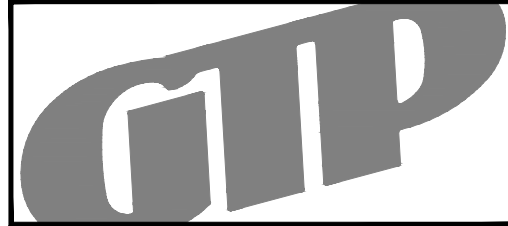
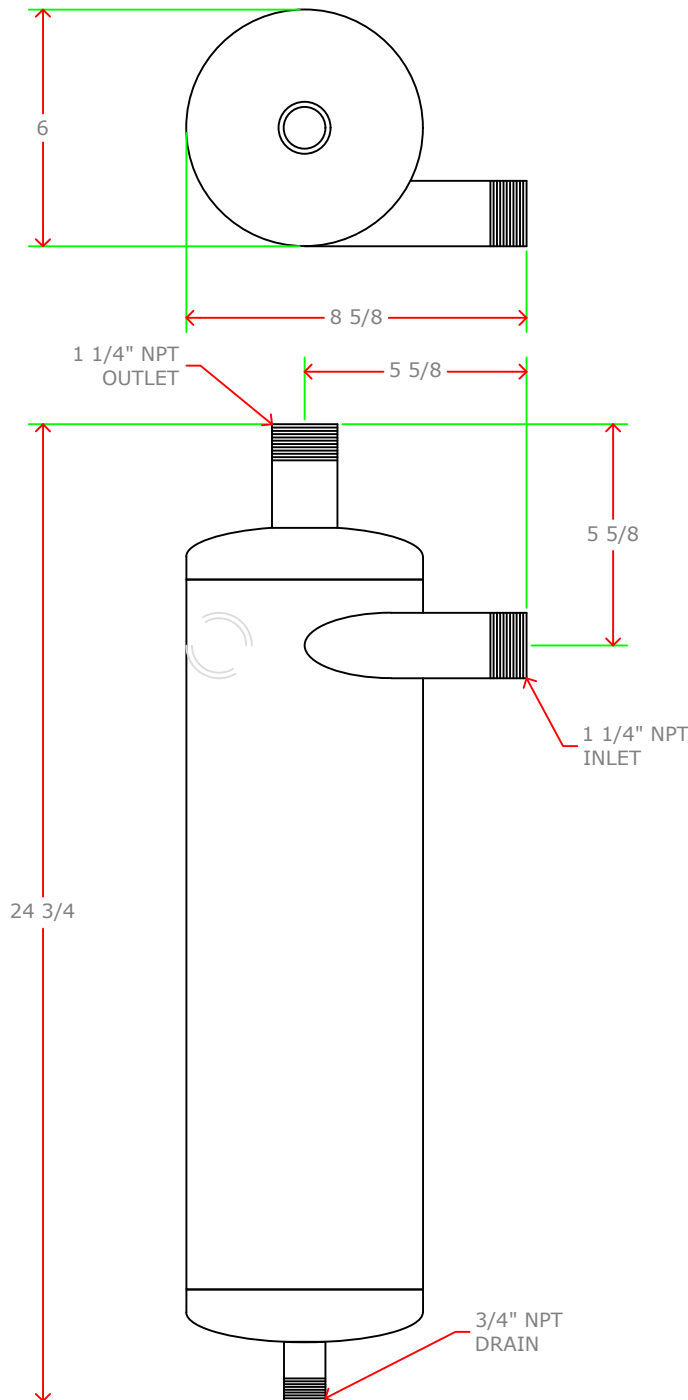
REV	DESCRIPTION	DATE
-----	-------------	------

General Treatment Products, Inc.
 PO Box 8697, Brea, CA 92822
 Phone: 714) 257-9165 <http://www.gtpcompany.com>
 Fax: 714) 257-9215 customerservice@gtpcompany.com

Date: 1/1/14 Scale: NTS Rev.: A

Description:
1" 22-38 GPM THREADED SEPARATOR

Model:
STX-0100



MATERIALS OF CONSTRUCTION:
CARBON STEEL

Capacity: 34-54 Gallons per Minute

Max Temp.: 200 F

Max Press.: 150 PSI

Weight: 178 Lbs.

Voltage.: x VAC x Phs x Hz

FLA.: x amps

20	x	x
19	x	x
18	x	x
17	x	x
16	x	x
15	x	x
14	x	x
13	x	x
12	x	x
11	x	x
10	x	x
9	x	x
8	x	x
7	x	x
6	x	x
5	x	x
4	x	x
3	x	x
2	x	x
1	x	x

#	PART	DESCRIPTION
F	x	xx/xx/xx
E	x	xx/xx/xx
D	x	xx/xx/xx
C	x	xx/xx/xx
B	x	xx/xx/xx

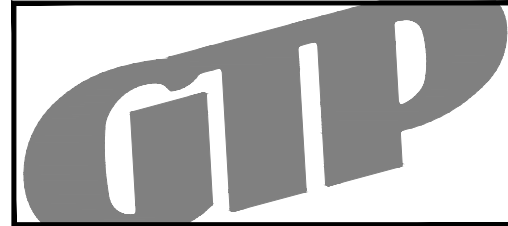
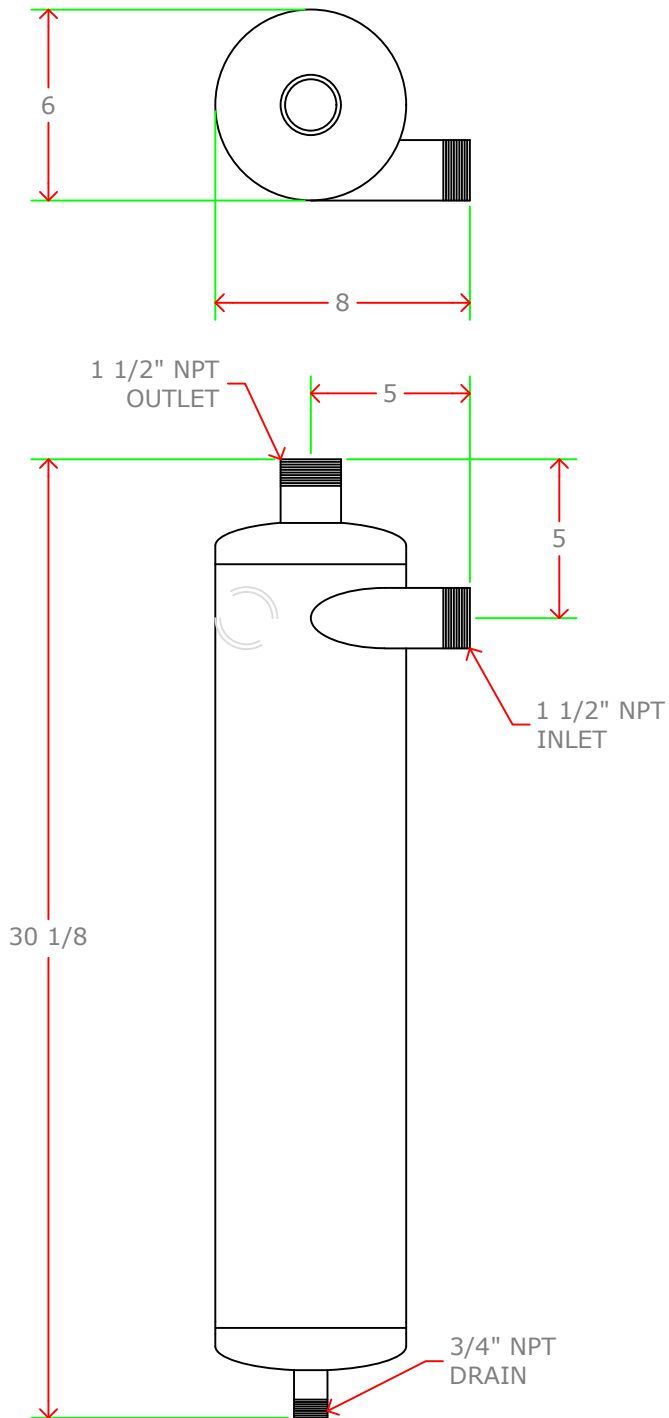
REV	DESCRIPTION	DATE
-----	-------------	------

General Treatment Products, Inc.
 PO Box 8697, Brea, CA 92822
 Phone: 714) 257-9165 <http://www.gtpcompany.com>
 Fax: 714) 257-9215 customerservice@gtpcompany.com

Date: 1/1/16 **Scale:** NTS **Rev.:** A

Description:
 1 1/4" 34-54GPM THREADED SEPARATOR

Model:
 STX-0125



MATERIALS OF CONSTRUCTION:
CARBON STEEL

Capacity: 52-86 Gallons
Max Temp.: 200 F
Max Press.: 150 PSI
Weight: 180 Lbs.
Voltage.: x VAC x Phs x Hz
FLA.: x amps

20	x	x
19	x	x
18	x	x
17	x	x
16	x	x
15	x	x
14	x	x
13	x	x
12	x	x
11	x	x
10	x	x
9	x	x
8	x	x
7	x	x
6	x	x
5	x	x
4	x	x
3	x	x
2	x	x
1	x	x

#	PART	DESCRIPTION
F	x	xx/xx/xx
E	x	xx/xx/xx
D	x	xx/xx/xx
C	x	xx/xx/xx
B	x	xx/xx/xx

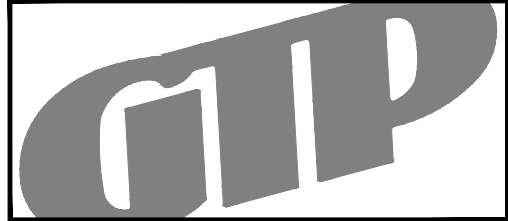
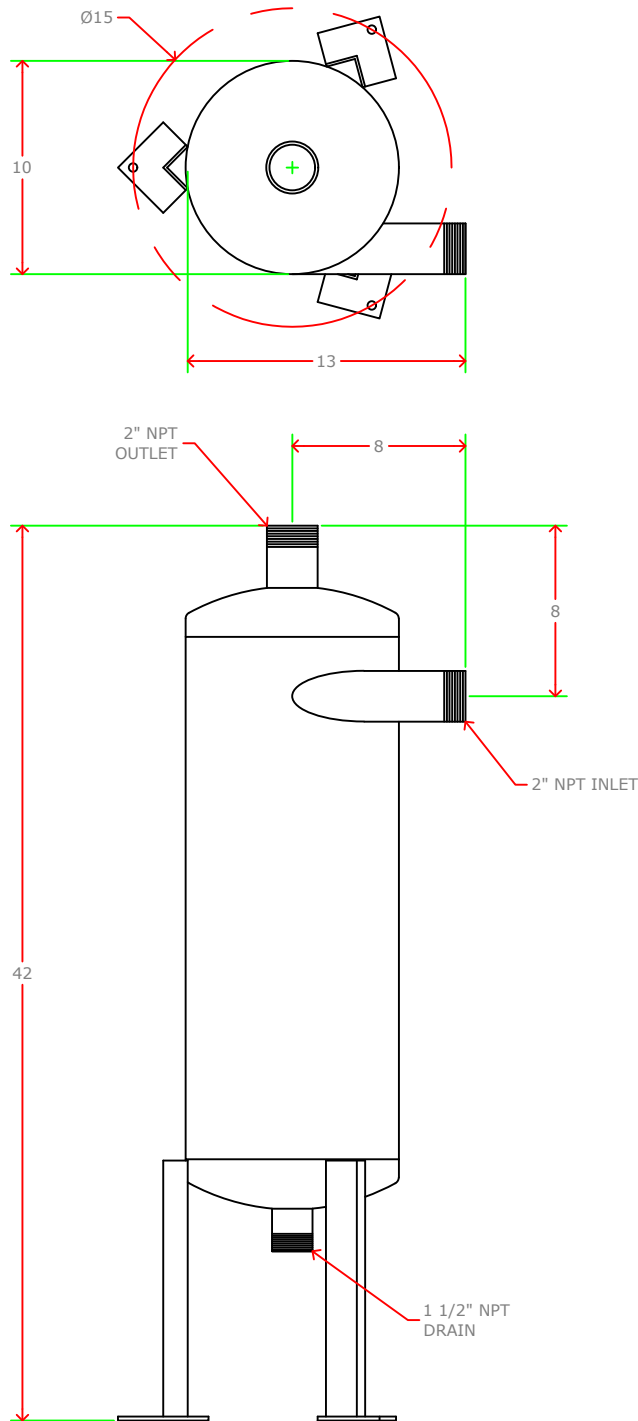
REV	DESCRIPTION	DATE

General Treatment Products, Inc.
 PO Box 8697, Brea, CA 92822
 Phone: 714) 257-9165 <http://www.gtpcompany.com>
 Fax: 714) 257-9215 customerservice@gtpcompany.com

Date: 1/1/16 **Scale:** NTS **Rev.:** A

Description:
1 1/2", 52-86 THREADED SEPARATOR

Model:
STX-0150



MATERIALS OF CONSTRUCTION:
CARBON STEEL

Capacity:	76-118	Gallons				
Max Temp.:	200	F				
Max Press.:	150	PSI				
Weight:	196	Lbs.				
Voltage.:	x	VAC	x	Phs	x	Hz
FLA.:	x	amps				

20	x	x
19	x	x
18	x	x
17	x	x
16	x	x
15	x	x
14	x	x
13	x	x
12	x	x
11	x	x
10	x	x
9	x	x
8	x	x
7	x	x
6	x	x
5	x	x
4	x	x
3	x	x
2	x	x
1	x	x

#	PART	DESCRIPTION
F	x	xx/xx/xx
E	x	xx/xx/xx
D	x	xx/xx/xx
C	x	xx/xx/xx
B	x	xx/xx/xx

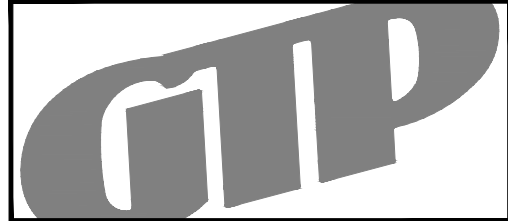
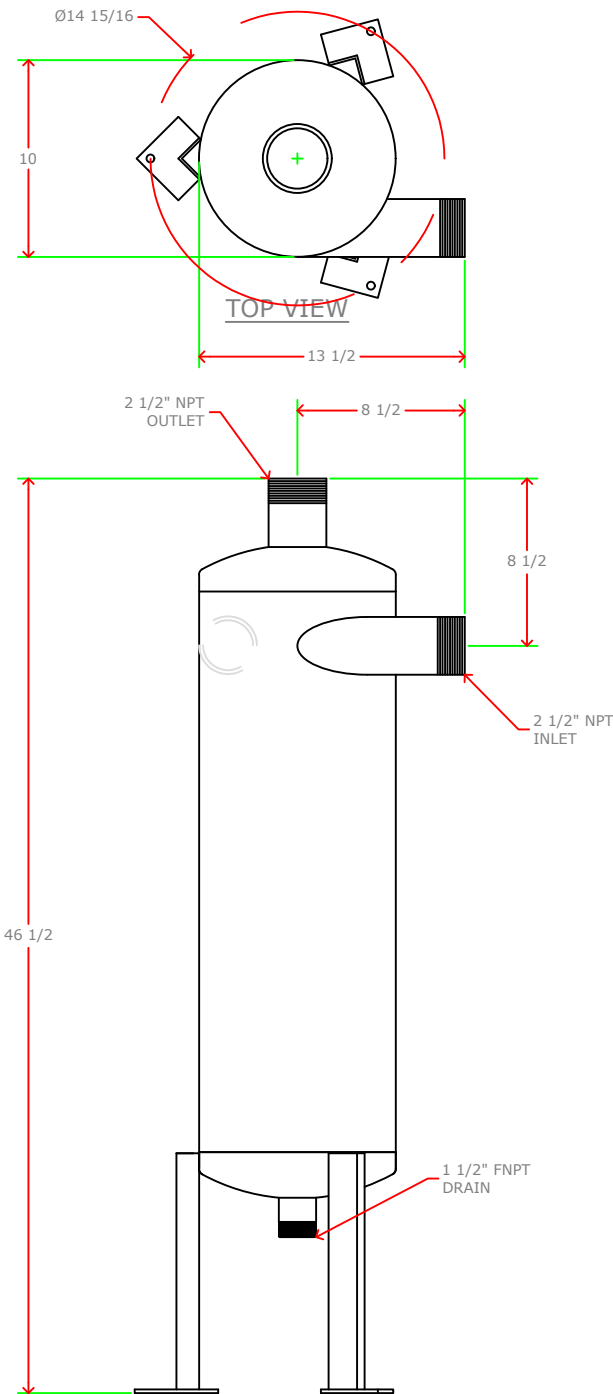
REV	DESCRIPTION	DATE
-----	-------------	------

General Treatment Products, Inc.
PO Box 8697, Brea, CA 92822
Phone: 714) 257-9165 <http://www.gtpcompany.com>
Fax: 714) 257-9215 customerservice@gtpcompany.com

Date: 1/1/14 Scale: NTS Rev.: A

Description:
2" 76-118GPM THREADED SEPARATOR

Model:
STX-0200



MATERIALS OF CONSTRUCTION:
CARBON STEEL

Capacity: 118-186 Gallons
Max Temp.: 200 F
Max Press.: 150 PSI
Weight: 200 Lbs.
Voltage.: x VAC x Phs x Hz
FLA.: x amps

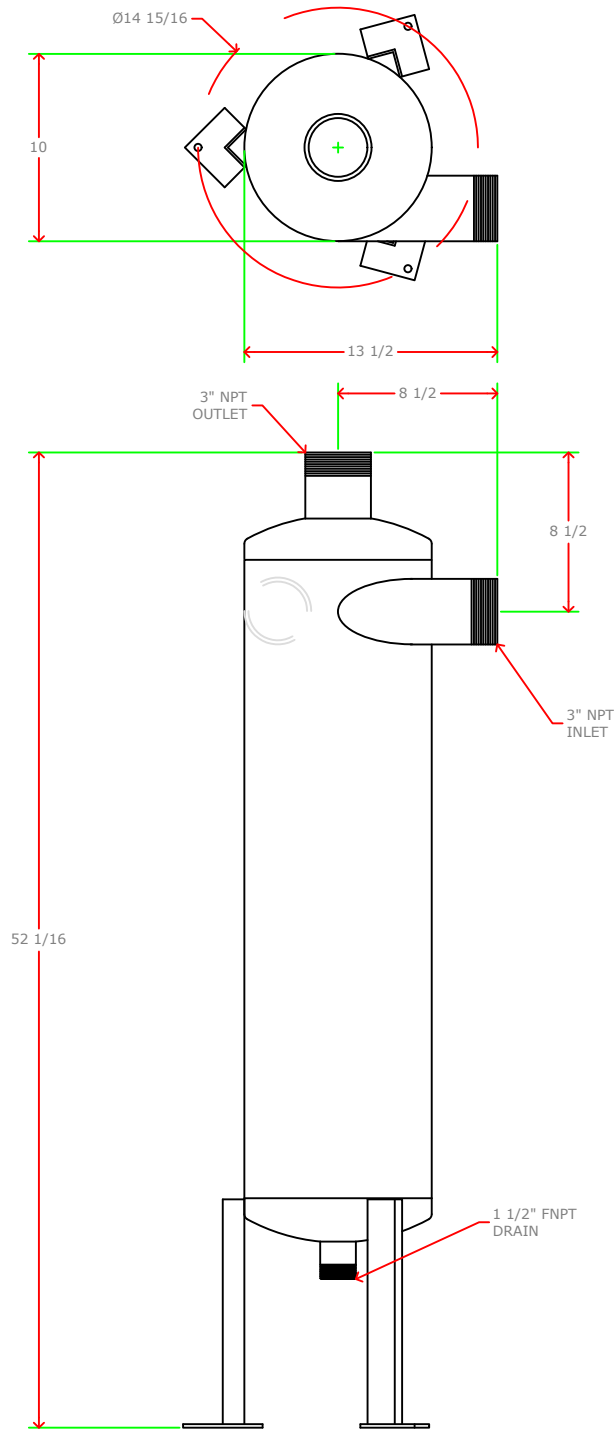
20	x	x
19	x	x
18	x	x
17	x	x
16	x	x
15	x	x
14	x	x
13	x	x
12	x	x
11	x	x
10	x	x
9	x	x
8	x	x
7	x	x
6	x	x
5	x	x
4	x	x
3	x	x
2	x	x
1	x	x

#	PART	DESCRIPTION
F	x	xx/xx/xx
E	x	xx/xx/xx
D	x	xx/xx/xx
C	x	xx/xx/xx
B	x	xx/xx/xx

General Treatment Products, Inc.
 PO Box 8697, Brea, CA 92822
 Phone: 714) 257-9165 <http://www.gtpcompany.com>
 Fax: 714) 257-9215 customerservice@gtpcompany.com

Date: xx/xx/xx **Scale:** NTS **Rev.:** A
Description:
2 1/2" 118-186GPM THREADED SEPARATOR
Model:
STX-0250

NOTICE: This drawing and its contents are for the specific use of GTP customers only. It is not to be duplicated or copied without expressed written consent of General Treatment Products, Inc. We reserve the right to modify this drawing without notice.



MATERIALS OF CONSTRUCTION:
CARBON STEEL

Capacity: 185-320 Gallons
Max Temp.: 200 F
Max Press.: 150 PSI
Weight: 200 Lbs.
Voltage.: x VAC x Phs x Hz
FLA.: x amps

20	x	x
19	x	x
18	x	x
17	x	x
16	x	x
15	x	x
14	x	x
13	x	x
12	x	x
11	x	x
10	x	x
9	x	x
8	x	x
7	x	x
6	x	x
5	x	x
4	x	x
3	x	x
2	x	x
1	x	x

#	PART	DESCRIPTION
F	x	xx/xx/xx
E	x	xx/xx/xx
D	x	xx/xx/xx
C	x	xx/xx/xx
B	x	xx/xx/xx

REV	DESCRIPTION	DATE
-----	-------------	------

General Treatment Products, Inc.
 PO Box 8697, Brea, CA 92822
 Phone: 714) 257-9165 <http://www.gtpcompany.com>
 Fax: 714) 257-9215 customerservice@gtpcompany.com

Date: xx/xx/xx Scale: NTS Rev.: A

Description:
3" 185-320GPM THREADED SEPARATOR

Model:
STX-0300