

MATERIALS OF CONSTRUCTION:
CARBON STEEL

Capacity:	22-38	Gallons				
Max Temp.:	200	F				
Max Press.:	150	PSI				
Weight:	130	Lbs.				
Voltage.:	x	VAC	x	Phs	x	Hz
FLA.:	x	amps				

20	x	x
19	x	x
18	x	x
17	x	x
16	x	x
15	x	x
14	x	x
13	x	x
12	x	x
11	x	x
10	x	x
9	x	x
8	x	x
7	x	x
6	x	x
5	x	x
4	x	x
3	x	x
2	x	x
1	x	x

#	PART	DESCRIPTION
F	x	xx/xx/xx
E	x	xx/xx/xx
D	x	xx/xx/xx
C	x	xx/xx/xx
B	x	xx/xx/xx

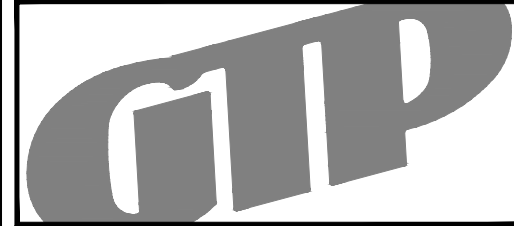
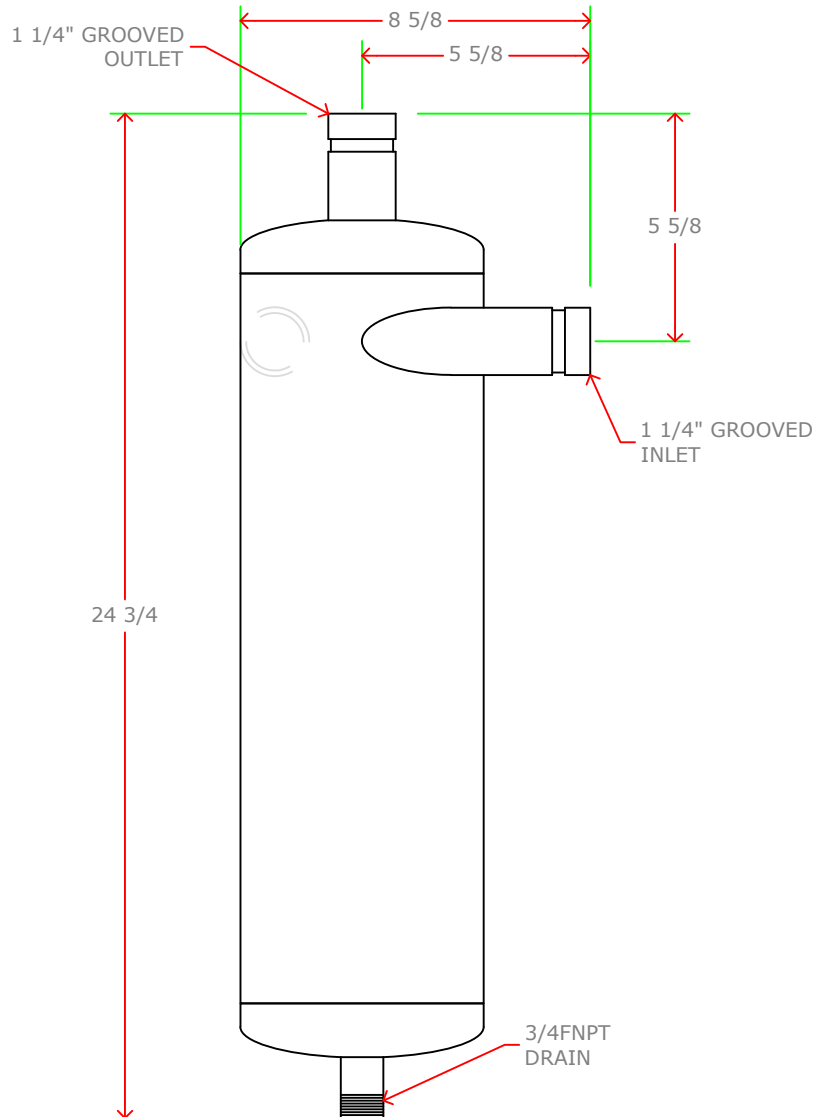
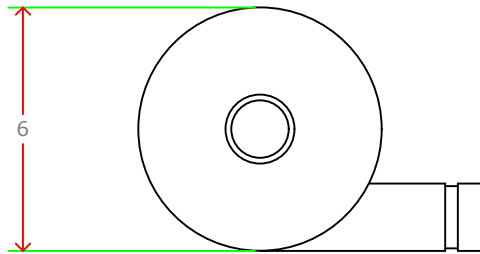
REV	DESCRIPTION	DATE
-----	-------------	------

General Treatment Products, Inc.
PO Box 8697, Brea, CA 92822
Phone: 714) 257-9165 <http://www.gtpcompany.com>
Fax: 714) 257-9215 customerservice@gtpcompany.com

Date: 1/1/14 Scale: NTS Rev.: A

Description:
1" 22-38 GPM GROOVED SEPARATOR

Model:
SVX-0100



MATERIALS OF CONSTRUCTION:
CARBON STEEL

Capacity: 34-54 Gallons per Minute
Max Temp.: 200 F
Max Press.: 150 PSI
Weight: 178 Lbs.
Voltage.: x VAC x Phs x Hz
FLA.: x amps

20	x	x
19	x	x
18	x	x
17	x	x
16	x	x
15	x	x
14	x	x
13	x	x
12	x	x
11	x	x
10	x	x
9	x	x
8	x	x
7	x	x
6	x	x
5	x	x
4	x	x
3	x	x
2	x	x
1	x	x

#	PART	DESCRIPTION
F	x	xx/xx/xx
E	x	xx/xx/xx
D	x	xx/xx/xx
C	x	xx/xx/xx
B	x	xx/xx/xx

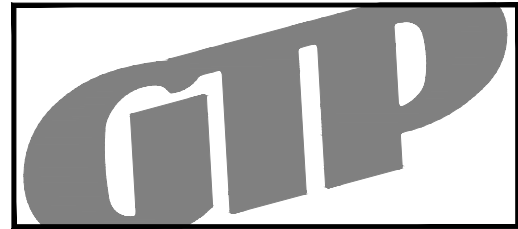
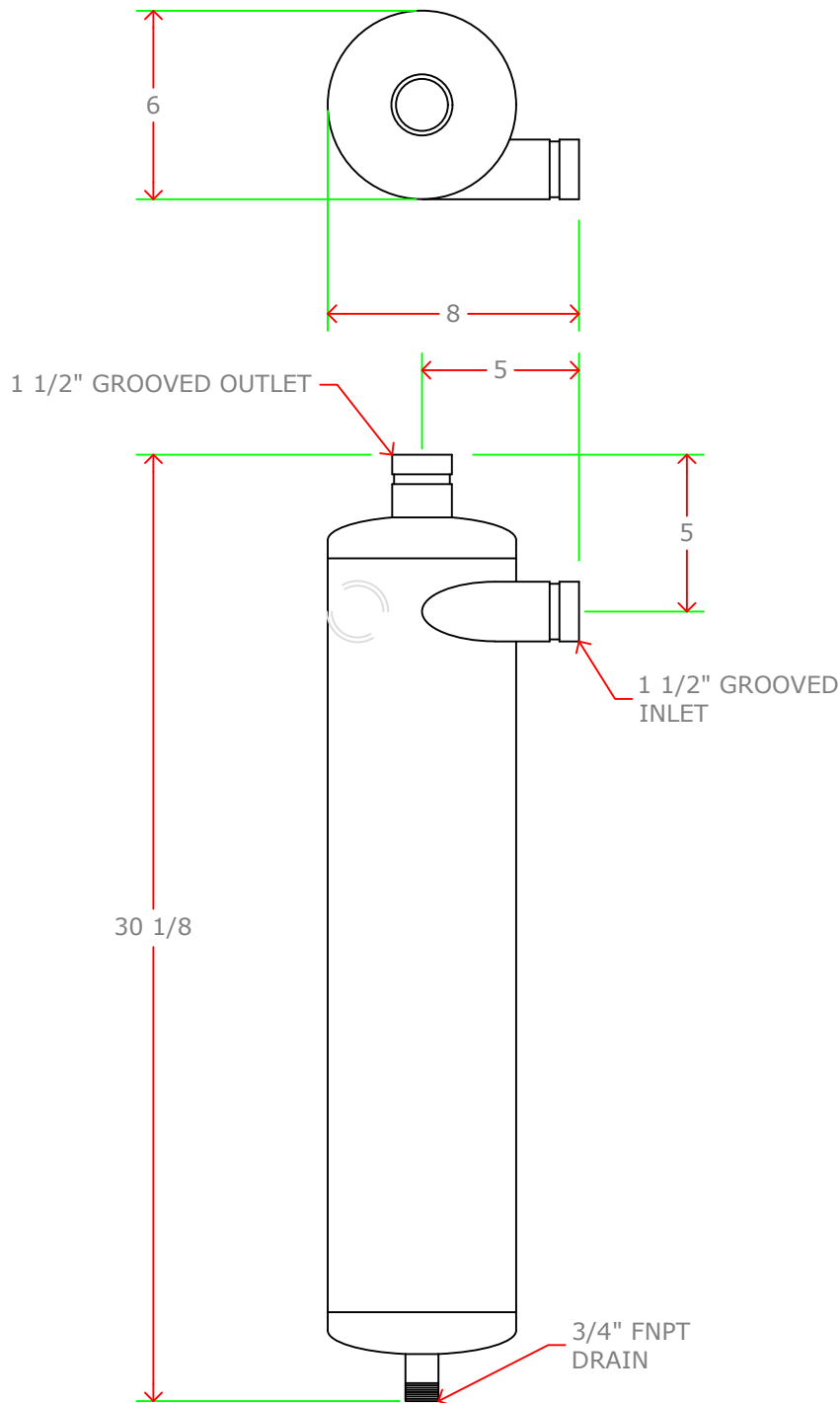
General Treatment Products, Inc.
 PO Box 8697, Brea, CA 92822
 Phone: 714) 257-9165 <http://www.gtpcompany.com>
 Fax: 714) 257-9215 customerservice@gtpcompany.com

Date: 1/1/16 **Scale:** NTS **Rev.:** A

Description:
1 1/4" 34-54GPM GROOVED SEPARATOR

Model:
SVX-0125

NOTICE: This drawing and its contents are for the specific use of GTP customers only. It is not to be duplicated or copied without expressed written consent or General Treatment Products, Inc. We reserve the right to modify this drawing without notice.



MATERIALS OF CONSTRUCTION:
CARBON STEEL

Capacity: 52-86 Gallons
Max Temp.: 200 F
Max Press.: 150 PSI
Weight: 180 Lbs.
Voltage.: x VAC x Phs x Hz
FLA.: x amps

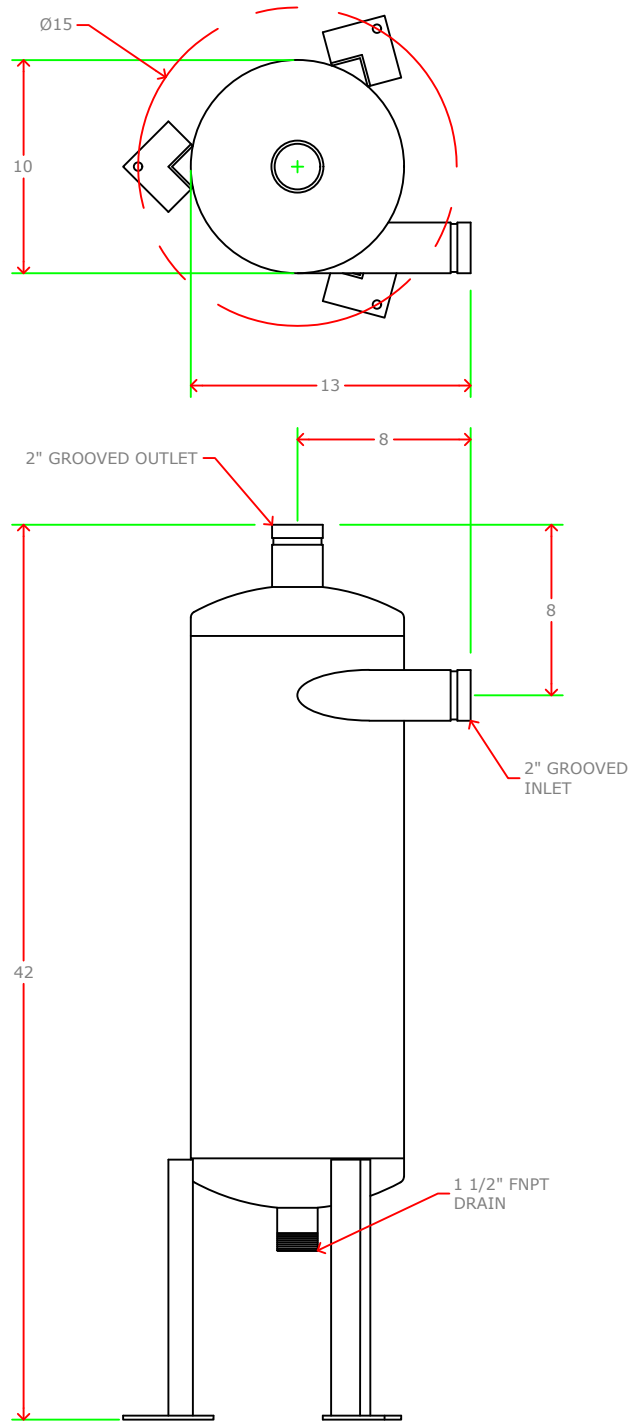
20	x	x
19	x	x
18	x	x
17	x	x
16	x	x
15	x	x
14	x	x
13	x	x
12	x	x
11	x	x
10	x	x
9	x	x
8	x	x
7	x	x
6	x	x
5	x	x
4	x	x
3	x	x
2	x	x
1	x	x

#	PART	DESCRIPTION
F	x	xx/xx/xx
E	x	xx/xx/xx
D	x	xx/xx/xx
C	x	xx/xx/xx
B	x	xx/xx/xx

General Treatment Products, Inc.
 PO Box 8697, Brea, CA 92822
 Phone: 714) 257-9165 <http://www.gtpcompany.com>
 Fax: 714) 257-9215 customerservice@gtpcompany.com

Date: 1/1/16 **Scale:** NTS **Rev.:** A
Description:
 1 1/2", 52-86 GROOVED SEPARATOR
Model:
 SVX-0150

NOTICE: This drawing and it's contents are for the specific use of GTP customers only. It is not to be duplicated or copied without expressed written consent or General Treatment Products, Inc. We reserve the right to modify this drawing without notice.



MATERIALS OF CONSTRUCTION:
CARBON STEEL

Capacity:	76-118	Gallons				
Max Temp.:	200	F				
Max Press.:	150	PSI				
Weight:	196	Lbs.				
Voltage.:	x	VAC	x	Phs	x	Hz
FLA.:	x	amps				

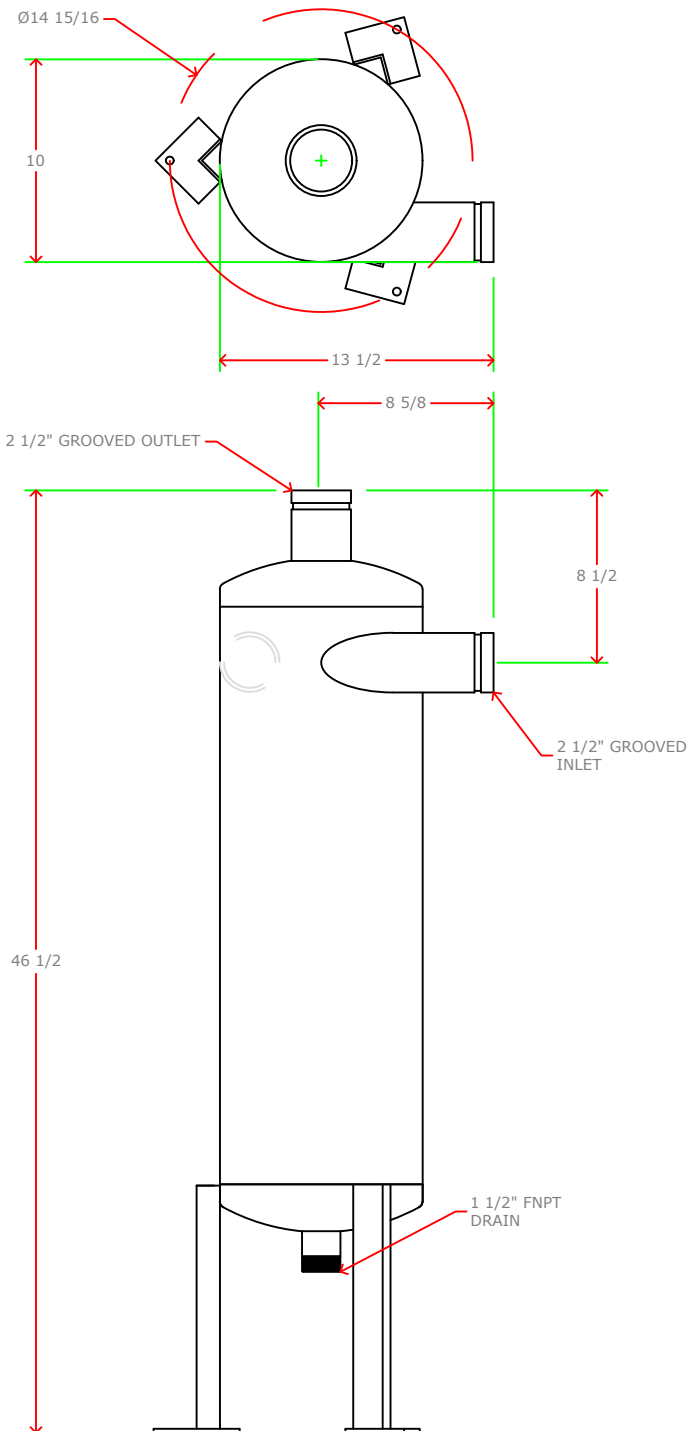
20	x	x
19	x	x
18	x	x
17	x	x
16	x	x
15	x	x
14	x	x
13	x	x
12	x	x
11	x	x
10	x	x
9	x	x
8	x	x
7	x	x
6	x	x
5	x	x
4	x	x
3	x	x
2	x	x
1	x	x

#	PART	DESCRIPTION
F	x	xx/xx/xx
E	x	xx/xx/xx
D	x	xx/xx/xx
C	x	xx/xx/xx
B	x	xx/xx/xx

General Treatment Products, Inc.
 PO Box 8697, Brea, CA 92822
 Phone: 714) 257-9165 <http://www.gtpcompany.com>
 Fax: 714) 257-9215 customerservice@gtpcompany.com

Date: 1/1/14 **Scale:** NTS **Rev.:** A
Description:
2" 76-118GPM GROOVED SEPARATOR
Model:
SVX-0200

NOTICE: This drawing and its contents are for the specific use of GTP customers only. It is not to be duplicated or copied without expressed written consent of General Treatment Products, Inc. We reserve the right to modify this drawing without notice.



MATERIALS OF CONSTRUCTION:
 CARBON STEEL

Capacity: 118-186 Gallons
Max Temp.: 200 F
Max Press.: 150 PSI
Weight: 200 Lbs.
Voltage.: x VAC x Phs x Hz
FLA.: x amps

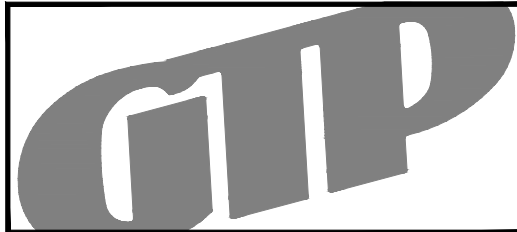
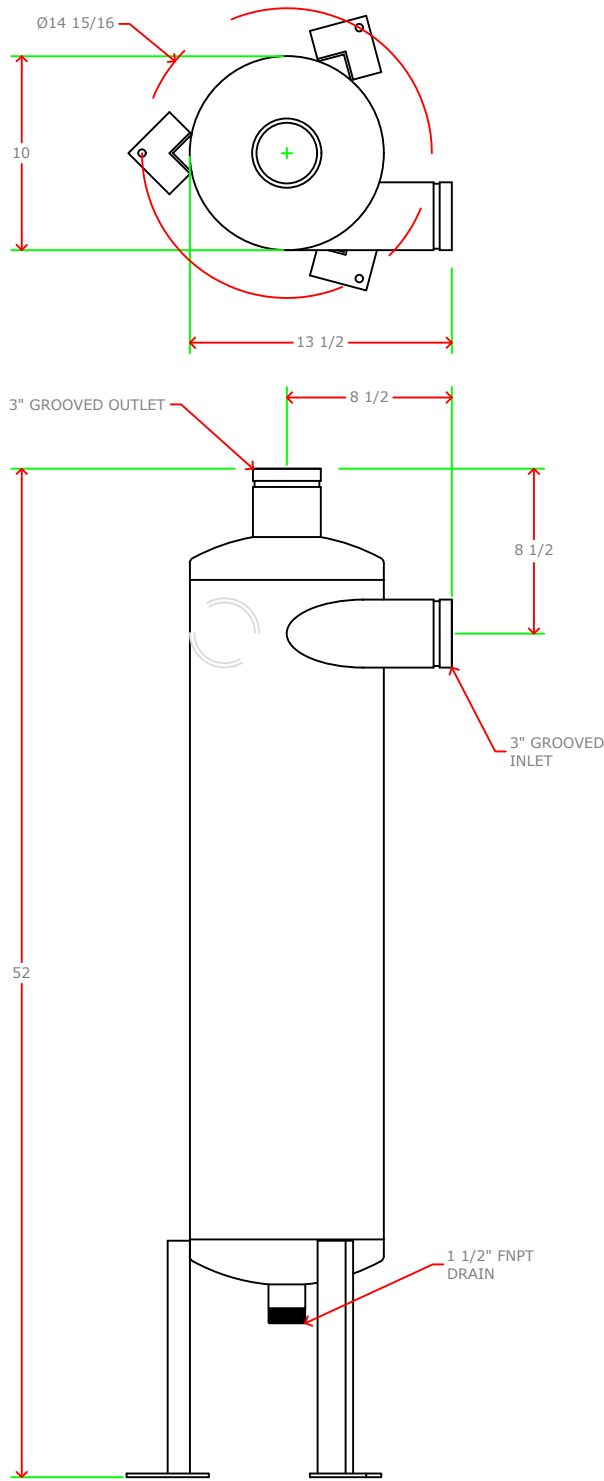
20	x	x
19	x	x
18	x	x
17	x	x
16	x	x
15	x	x
14	x	x
13	x	x
12	x	x
11	x	x
10	x	x
9	x	x
8	x	x
7	x	x
6	x	x
5	x	x
4	x	x
3	x	x
2	x	x
1	x	x

#	PART	DESCRIPTION
F	x	xx/xx/xx
E	x	xx/xx/xx
D	x	xx/xx/xx
C	x	xx/xx/xx
B	x	xx/xx/xx

General Treatment Products, Inc.
 PO Box 8697, Brea, CA 92822
 Phone: 714) 257-9165 <http://www.gtpcompany.com>
 Fax: 714) 257-9215 customerservice@gtpcompany.com

Date: xx/xx/xx **Scale:** NTS **Rev.:** A
Description:
 2 1/2" 118-186GPM GROOVED SEPARATOR
Model:
 SVX-0250

NOTICE: This drawing and its contents are for the specific use of GTP customers only. It is not to be duplicated or copied without expressed written consent of General Treatment Products, Inc. We reserve the right to modify this drawing without notice.



MATERIALS OF CONSTRUCTION:
CARBON STEEL

Capacity:	185-320	Gallons				
Max Temp.:	200	F				
Max Press.:	150	PSI				
Weight:	200	Lbs.				
Voltage.:	x	VAC	x	Phs	x	Hz
FLA.:	x	amps				
20	x					x
19	x					x
18	x					x
17	x					x
16	x					x
15	x					x
14	x					x
13	x					x
12	x					x
11	x					x
10	x					x
9	x					x
8	x					x
7	x					x
6	x					x
5	x					x
4	x					x
3	x					x
2	x					x
1	x					x

#	PART	DESCRIPTION
F	x	xx/xx/xx
E	x	xx/xx/xx
D	x	xx/xx/xx
C	x	xx/xx/xx
B	x	xx/xx/xx

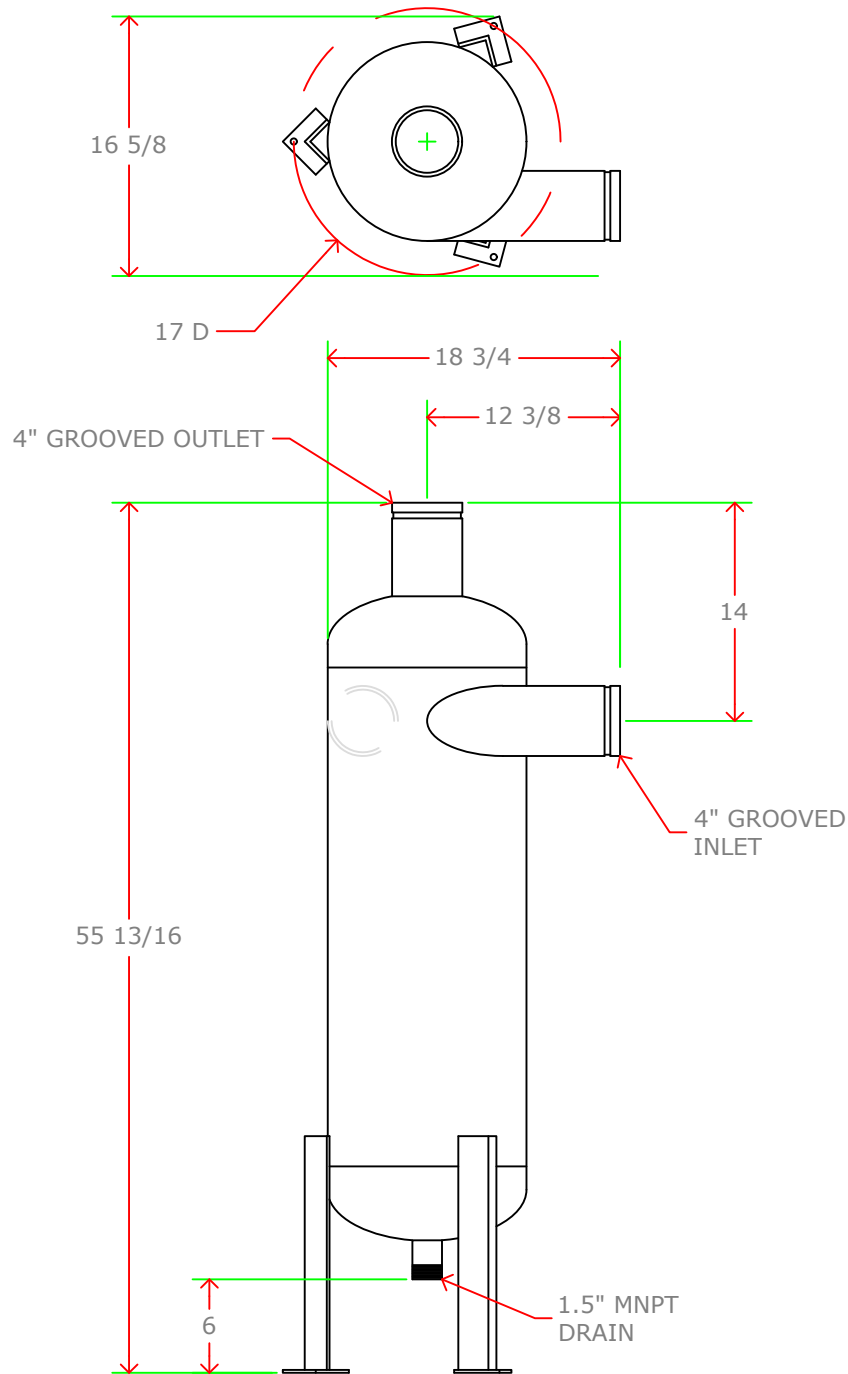
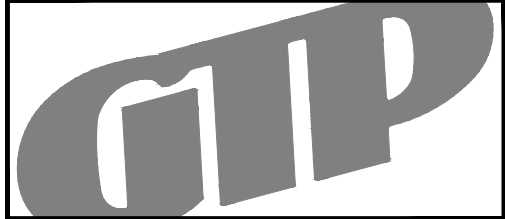
REV	DESCRIPTION	DATE
-----	-------------	------

General Treatment Products, Inc.
 PO Box 8697, Brea, CA 92822
 Phone: 714) 257-9165 <http://www.gtpcompany.com>
 Fax: 714) 257-9215 customerservice@gtpcompany.com

Date: xx/xx/xx Scale: NTS Rev.: A

Description:
3" 185-320GPM GROOVED SEPARATOR

Model:
SVX-0300



MATERIALS OF CONSTRUCTION:
CARBON STEEL

Capacity: 350-610 Gallons
Max Temp.: 200 F
Max Press.: 150 PSI
Weight: 290 Lbs.
Voltage.: x VAC x Phs x Hz
FLA.: x amps

20	x	x
19	x	x
18	x	x
17	x	x
16	x	x
15	x	x
14	x	x
13	x	x
12	x	x
11	x	x
10	x	x
9	x	x
8	x	x
7	x	x
6	x	x
5	x	x
4	x	x
3	x	x
2	x	x
1	x	x

#	PART	DESCRIPTION
F	x	xx/xx/xx
E	x	xx/xx/xx
D	x	xx/xx/xx
C	x	xx/xx/xx
B	x	xx/xx/xx

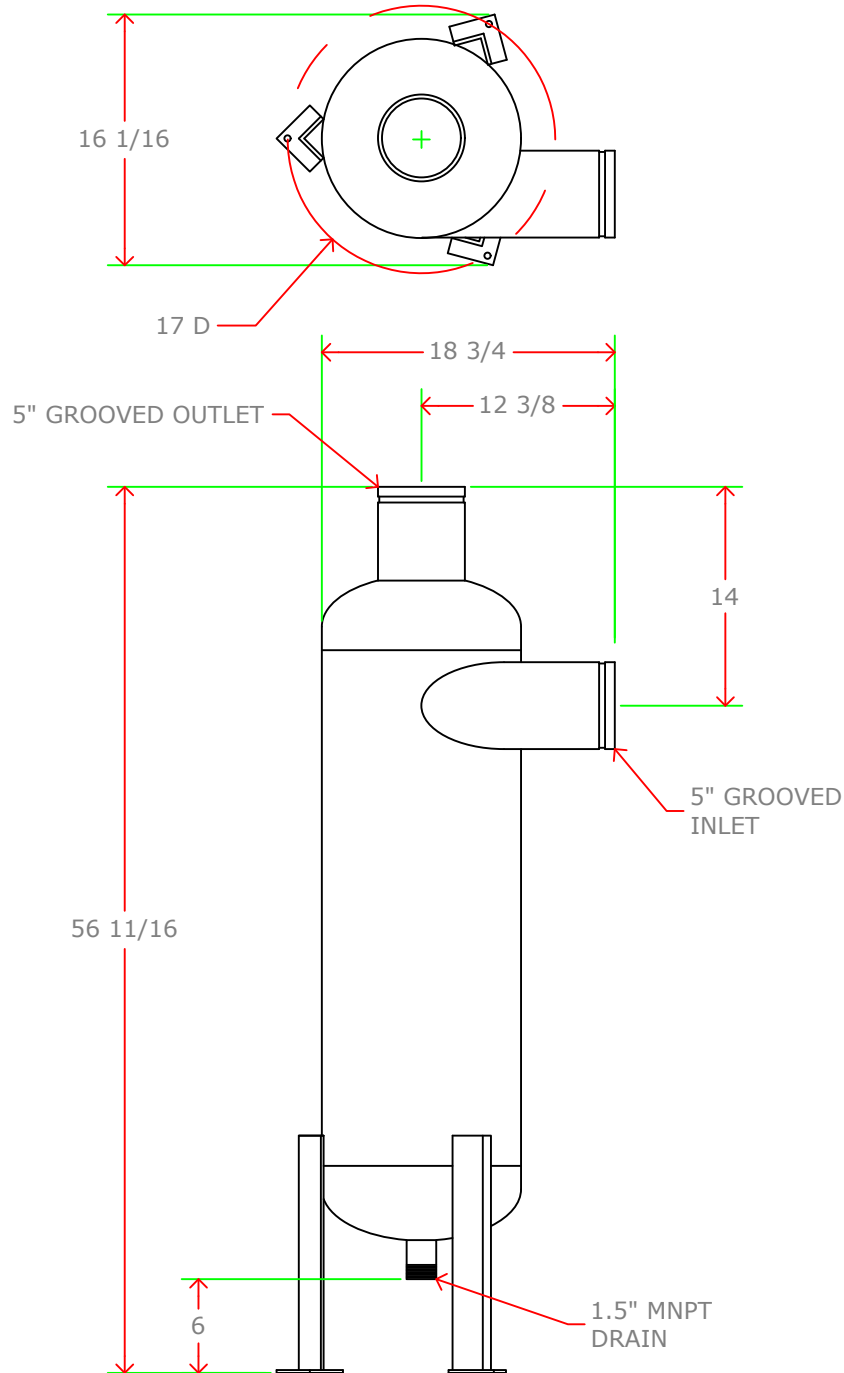
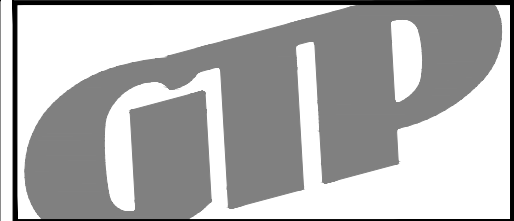
REV	DESCRIPTION	DATE
-----	-------------	------

General Treatment Products, Inc.
 PO Box 8697, Brea, CA 92822
 Phone: 714) 257-9165 <http://www.gtpcompany.com>
 Fax: 714) 257-9215 customerservice@gtpcompany.com

Date: 1/1/14 Scale: NTS Rev.: A

Description:
4" 350-610GPM GROOVED SEPARATOR

Model:
SVX-0400



MATERIALS OF CONSTRUCTION:
CARBON STEEL

Capacity:	550-960 Gallons
Max Temp.:	200 F
Max Press.:	150 PSI
Weight:	330 Lbs.
Voltage.:	x VAC x Phs x Hz
FLA.:	x amps

20	x	x
19	x	x
18	x	x
17	x	x
16	x	x
15	x	x
14	x	x
13	x	x
12	x	x
11	x	x
10	x	x
9	x	x
8	x	x
7	x	x
6	x	x
5	x	x
4	x	x
3	x	x
2	x	x
1	x	x

#	PART	DESCRIPTION
F	x	xx/xx/xx
E	x	xx/xx/xx
D	x	xx/xx/xx
C	x	xx/xx/xx
B	x	xx/xx/xx

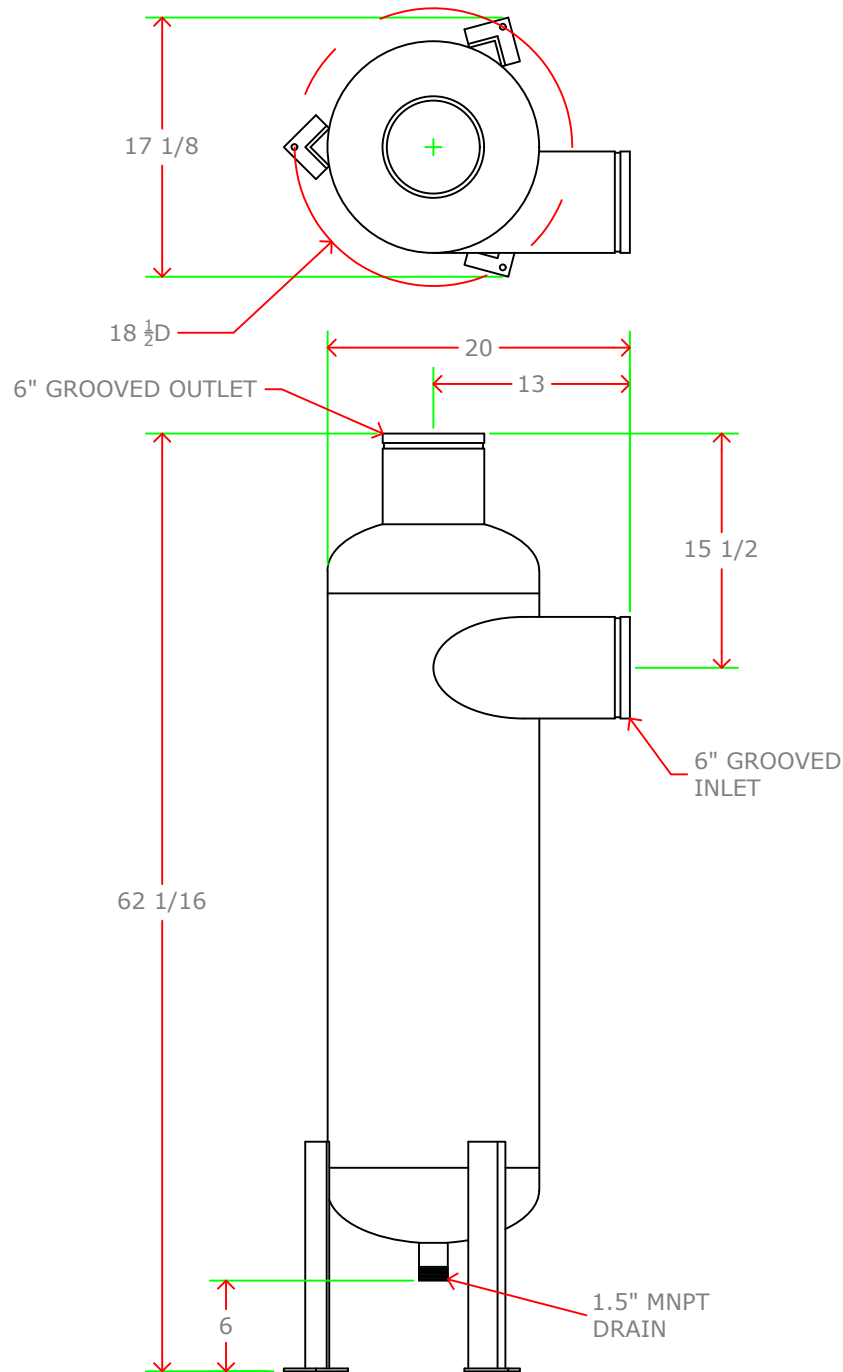
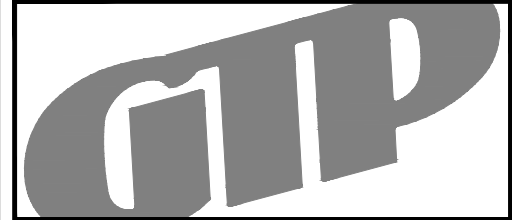
REV	DESCRIPTION	DATE
-----	-------------	------

General Treatment Products, Inc.
 PO Box 8697, Brea, CA 92822
 Phone: 714) 257-9165 <http://www.gtpcompany.com>
 Fax: 714) 257-9215 customerservice@gtpcompany.com

Date: 1/1/14 Scale: NTS Rev.: A

Description:
5" 550-960GPM GROOVED SEPARATOR

Model:
SVX-0500



MATERIALS OF CONSTRUCTION:
CARBON STEEL

Capacity:	800-1390 Gallons
Max Temp.:	200 F
Max Press.:	150 PSI
Weight:	330 Lbs.
Voltage.:	x VAC x Phs x Hz
FLA.:	x amps

20	x	x
19	x	x
18	x	x
17	x	x
16	x	x
15	x	x
14	x	x
13	x	x
12	x	x
11	x	x
10	x	x
9	x	x
8	x	x
7	x	x
6	x	x
5	x	x
4	x	x
3	x	x
2	x	x
1	x	x

#	PART	DESCRIPTION
F	x	xx/xx/xx
E	x	xx/xx/xx
D	x	xx/xx/xx
C	x	xx/xx/xx
B	x	xx/xx/xx

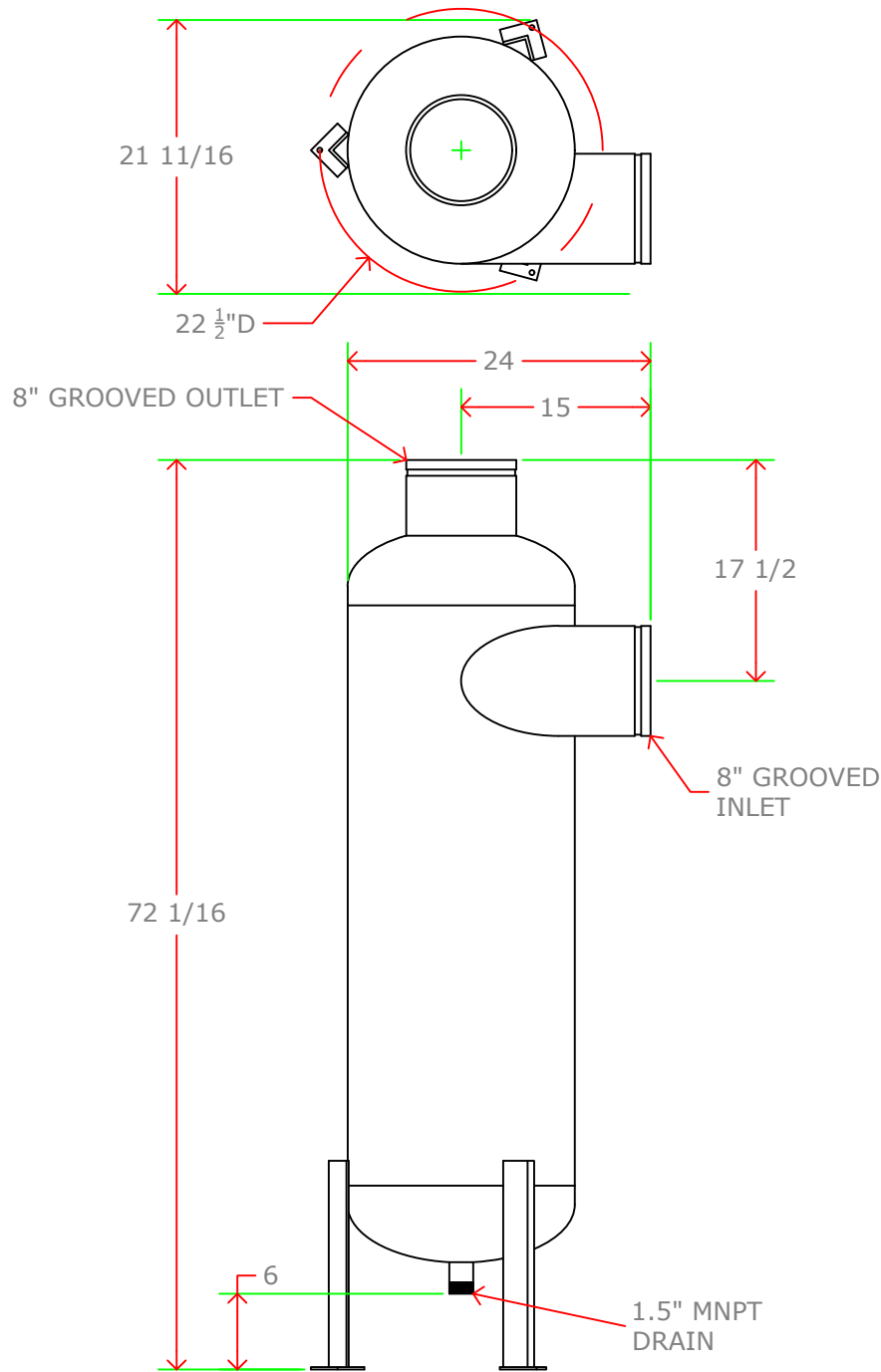
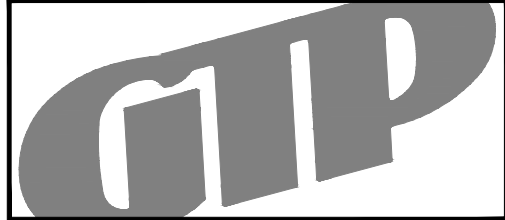
REV	DESCRIPTION	DATE
-----	-------------	------

General Treatment Products, Inc.
PO Box 8697, Brea, CA 92822
Phone: 714) 257-9165 <http://www.gtpcompany.com>
Fax: 714) 257-9215 customerservice@gtpcompany.com

Date: 1/1/14 Scale: NTS Rev.: A

Description:
6" 800-1390GPM GROOVED SEPARATOR

Model:
SVX-0600



MATERIALS OF CONSTRUCTION:
CARBON STEEL

Capacity:	1380-2400 Gallons
Max Temp.:	200 F
Max Press.:	150 PSI
Weight:	480 Lbs.
Voltage.:	x VAC x Phs x Hz
FLA.:	x amps

20	x	x
19	x	x
18	x	x
17	x	x
16	x	x
15	x	x
14	x	x
13	x	x
12	x	x
11	x	x
10	x	x
9	x	x
8	x	x
7	x	x
6	x	x
5	x	x
4	x	x
3	x	x
2	x	x
1	x	x

#	PART	DESCRIPTION
F	x	xx/xx/xx
E	x	xx/xx/xx
D	x	xx/xx/xx
C	x	xx/xx/xx
B	x	xx/xx/xx

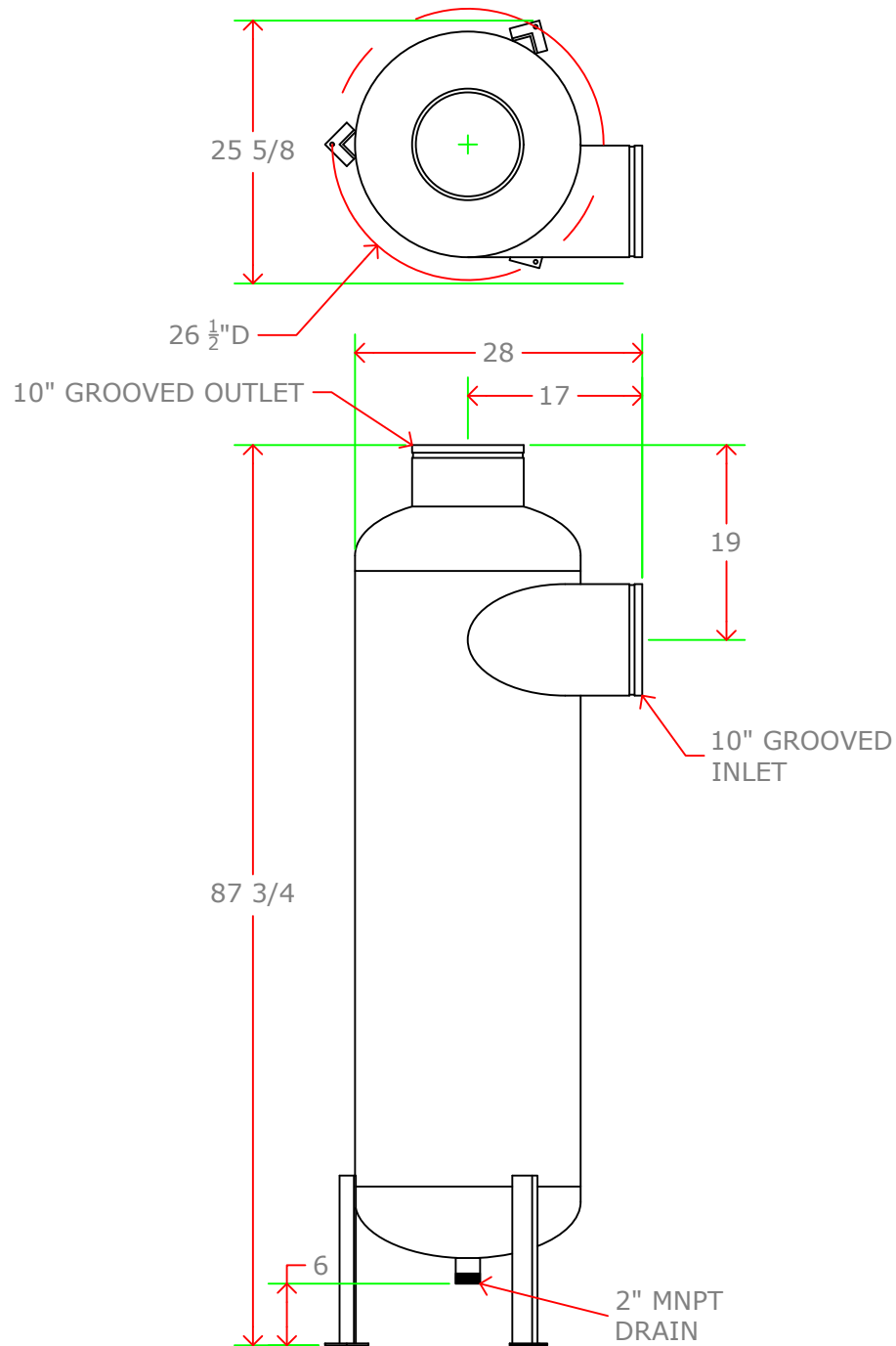
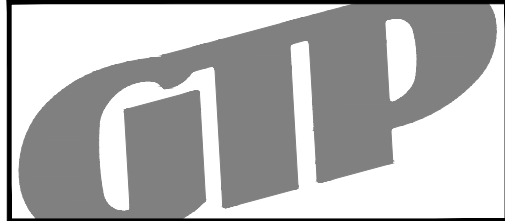
REV	DESCRIPTION	DATE
-----	-------------	------

General Treatment Products, Inc.
 PO Box 8697, Brea, CA 92822
 Phone: 714) 257-9165 <http://www.gtpcompany.com>
 Fax: 714) 257-9215 customerservice@gtpcompany.com

Date: 1/1/14 Scale: NTS Rev.: A

Description:
8" 1380-2400GPM GROOVED SEPARATOR

Model:
SVX-0800



MATERIALS OF CONSTRUCTION:
CARBON STEEL

Capacity:	2175-3780 Gallons
Max Temp.:	200 F
Max Press.:	150 PSI
Weight:	575 Lbs.
Voltage.:	x VAC x Phs x Hz
FLA.:	x amps

20	x	x
19	x	x
18	x	x
17	x	x
16	x	x
15	x	x
14	x	x
13	x	x
12	x	x
11	x	x
10	x	x
9	x	x
8	x	x
7	x	x
6	x	x
5	x	x
4	x	x
3	x	x
2	x	x
1	x	x

#	PART	DESCRIPTION
F	x	xx/xx/xx
E	x	xx/xx/xx
D	x	xx/xx/xx
C	x	xx/xx/xx
B	x	xx/xx/xx

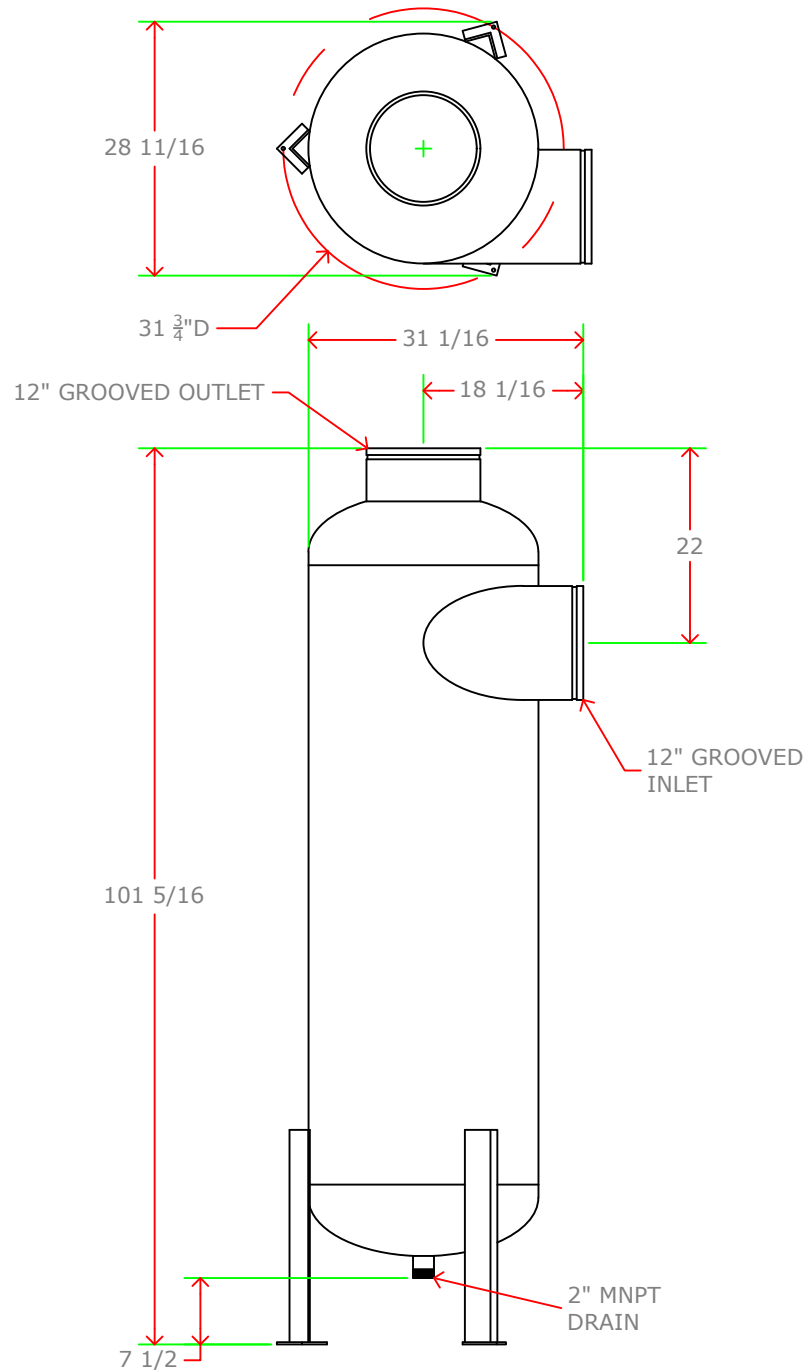
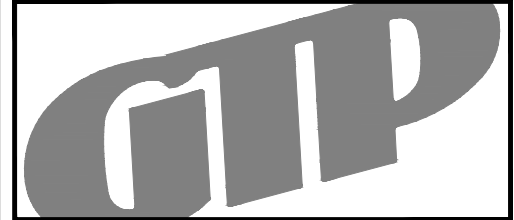
REV	DESCRIPTION	DATE
-----	-------------	------

General Treatment Products, Inc.
PO Box 8697, Brea, CA 92822
Phone: 714) 257-9165 <http://www.gtpcompany.com>
Fax: 714) 257-9215 customerservice@gtpcompany.com

Date: 1/1/14 Scale: NTS Rev.: A

Description: 10" 2175-3780GPM GROOVED SEPARATOR

Model: SVX-1000



MATERIALS OF CONSTRUCTION:
CARBON STEEL

Capacity:	2910-5050 Gallons
Max Temp.:	200 F
Max Press.:	150 PSI
Weight:	855 Lbs.
Voltage.:	x VAC x Phs x Hz
FLA.:	x amps

20	x	x
19	x	x
18	x	x
17	x	x
16	x	x
15	x	x
14	x	x
13	x	x
12	x	x
11	x	x
10	x	x
9	x	x
8	x	x
7	x	x
6	x	x
5	x	x
4	x	x
3	x	x
2	x	x
1	x	x

#	PART	DESCRIPTION
F	x	xx/xx/xx
E	x	xx/xx/xx
D	x	xx/xx/xx
C	x	xx/xx/xx
B	x	xx/xx/xx

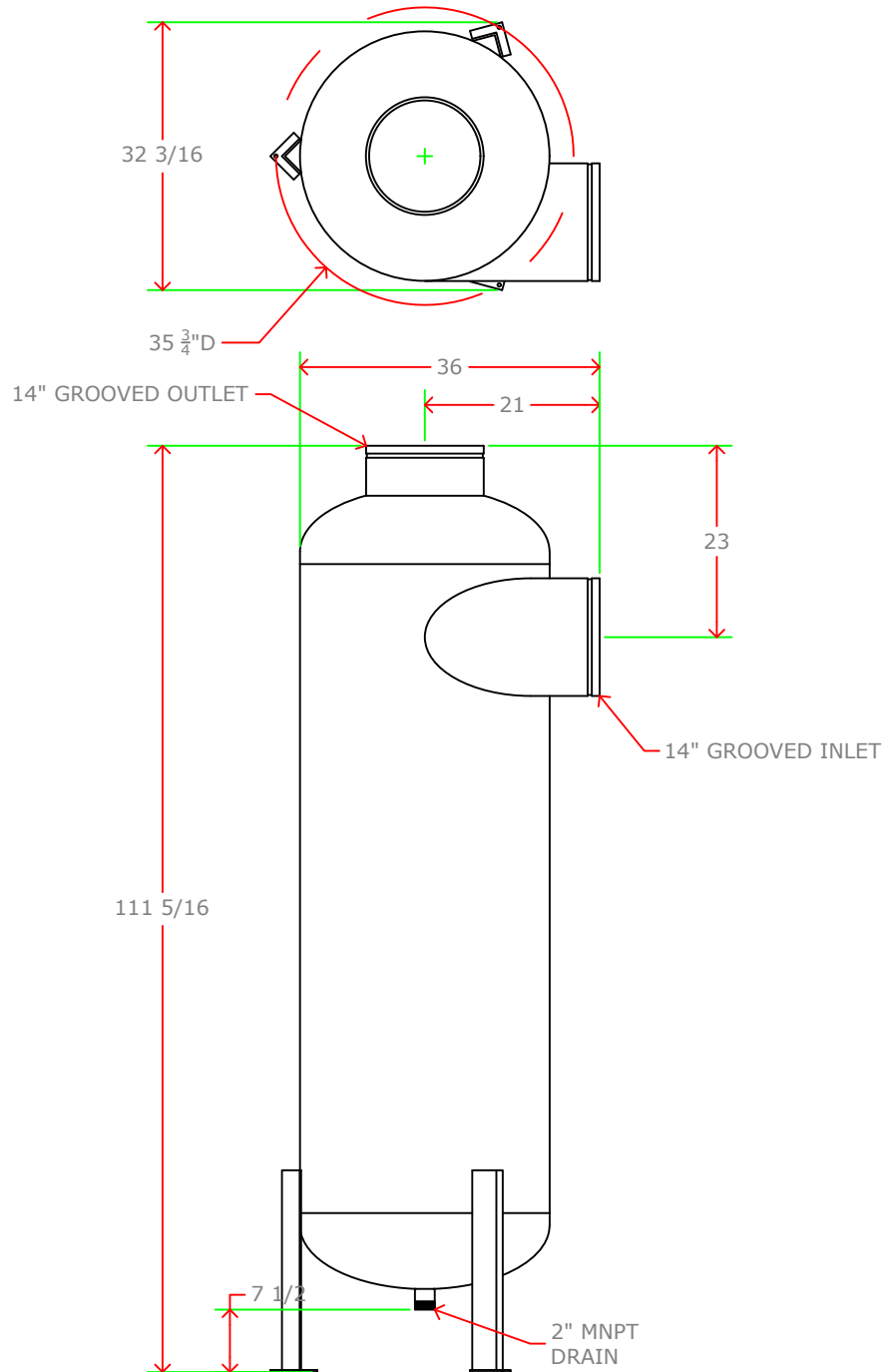
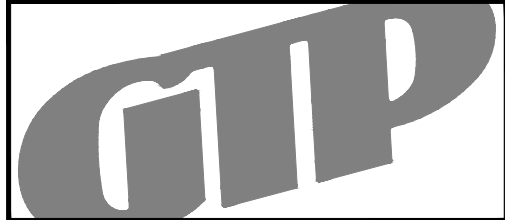
REV	DESCRIPTION	DATE
-----	-------------	------

General Treatment Products, Inc.
 PO Box 8697, Brea, CA 92822
 Phone: 714) 257-9165 <http://www.gtpcompany.com>
 Fax: 714) 257-9215 customerservice@gtpcompany.com

Date: 1/1/14 Scale: NTS Rev.: A

Description:
12" 2910-5050GPM GROOVED SEPARATOR

Model:
SVX-1200



MATERIALS OF CONSTRUCTION:
CARBON STEEL

Capacity:	3810-6600 Gallons
Max Temp.:	200 F
Max Press.:	150 PSI
Weight:	1390 Lbs.
Voltage.:	x VAC x Phs x Hz
FLA.:	x amps

20	x	x
19	x	x
18	x	x
17	x	x
16	x	x
15	x	x
14	x	x
13	x	x
12	x	x
11	x	x
10	x	x
9	x	x
8	x	x
7	x	x
6	x	x
5	x	x
4	x	x
3	x	x
2	x	x
1	x	x

#	PART	DESCRIPTION
F	x	xx/xx/xx
E	x	xx/xx/xx
D	x	xx/xx/xx
C	x	xx/xx/xx
B	x	xx/xx/xx

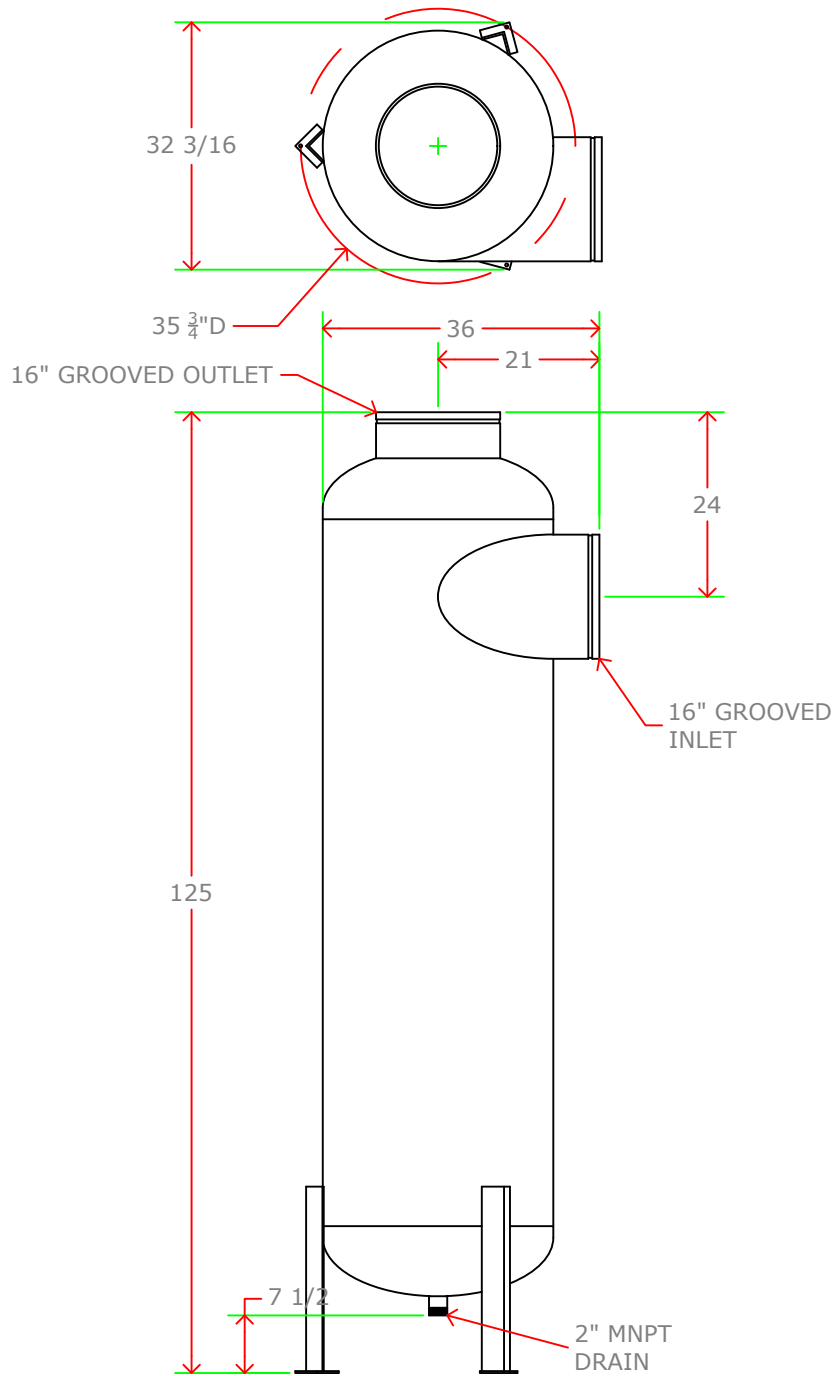
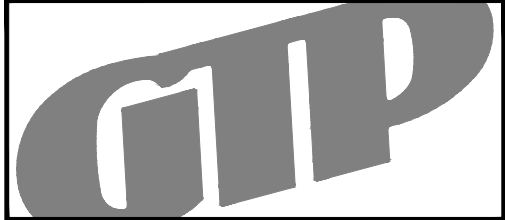
REV	DESCRIPTION	DATE
-----	-------------	------

General Treatment Products, Inc.
PO Box 8697, Brea, CA 92822
Phone: (714) 257-9165 <http://www.gtpcompany.com>
Fax: (714) 257-9215 customerservice@gtpcompany.com

Date: 1/1/14 Scale: NTS Rev.: A

Description: 14" 3810-6600GPM GROOVED SEPARATOR

Model: SVX-1400



MATERIALS OF CONSTRUCTION:
CARBON STEEL

Capacity:	5050-8760 Gallons
Max Temp.:	200 F
Max Press.:	150 PSI
Weight:	1650 Lbs.
Voltage.:	x VAC x Phs x Hz
FLA.:	x amps

20	x	x
19	x	x
18	x	x
17	x	x
16	x	x
15	x	x
14	x	x
13	x	x
12	x	x
11	x	x
10	x	x
9	x	x
8	x	x
7	x	x
6	x	x
5	x	x
4	x	x
3	x	x
2	x	x
1	x	x

#	PART	DESCRIPTION
F	x	xx/xx/xx
E	x	xx/xx/xx
D	x	xx/xx/xx
C	x	xx/xx/xx
B	x	xx/xx/xx

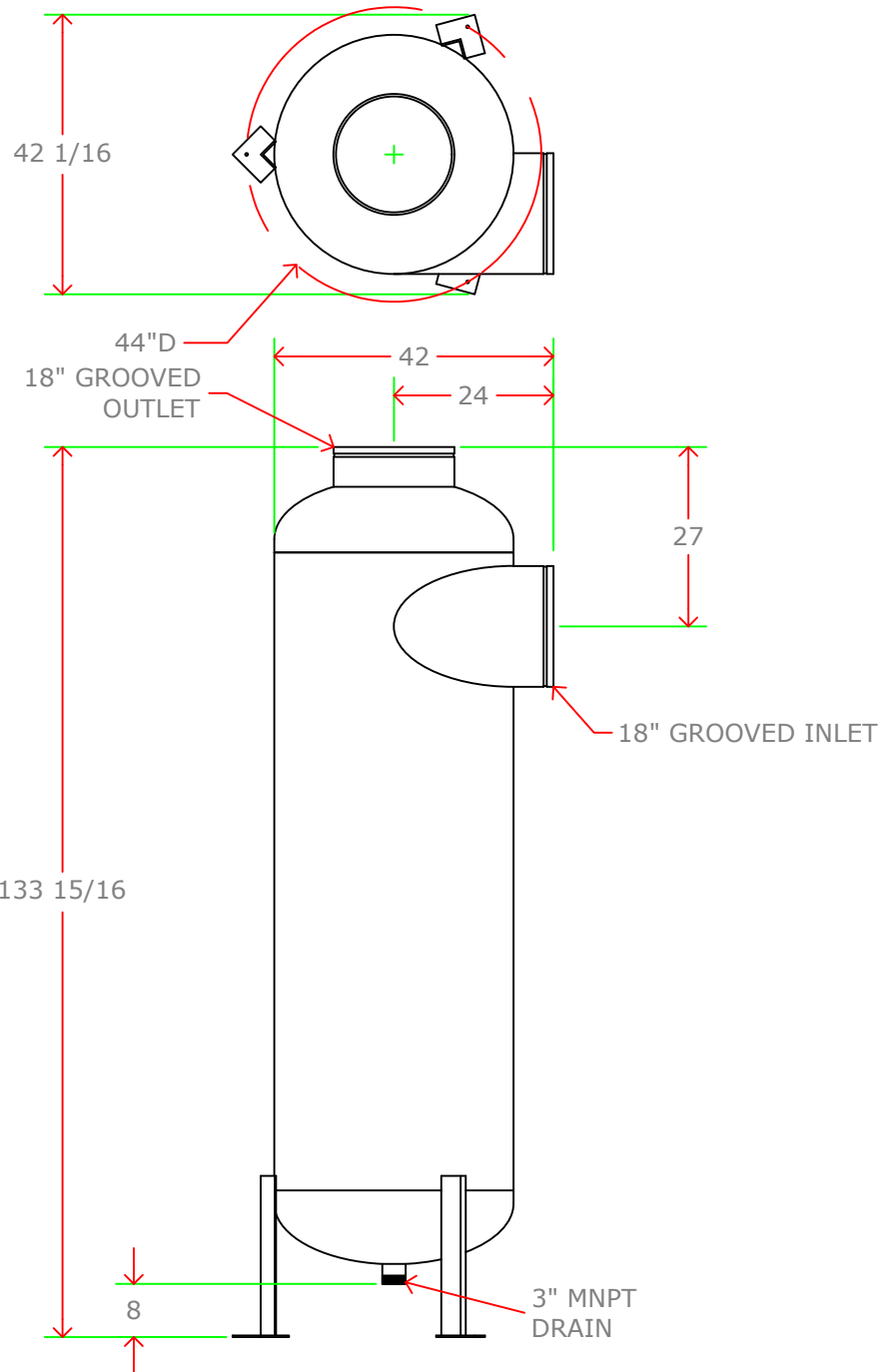
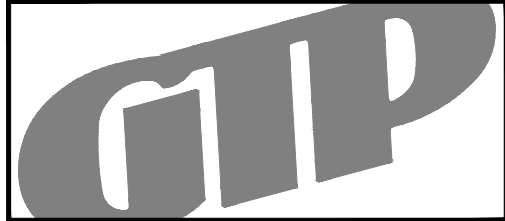
REV	DESCRIPTION	DATE
-----	-------------	------

General Treatment Products, Inc.
 PO Box 8697, Brea, CA 92822
 Phone: 714) 257-9165 <http://www.gtpcompany.com>
 Fax: 714) 257-9215 customerservice@gtpcompany.com

Date: 1/1/14 Scale: NTS Rev.: A

Description:
16" 5050-8760GPM GROOVED SEPARATOR

Model:
SVX-1600



MATERIALS OF CONSTRUCTION:
CARBON STEEL

Capacity:	6500-11200 Gallons
Max Temp.:	200 F
Max Press.:	150 PSI
Weight:	2150 Lbs.
Voltage.:	x VAC x Phs x Hz
FLA.:	x amps

20	x	x
19	x	x
18	x	x
17	x	x
16	x	x
15	x	x
14	x	x
13	x	x
12	x	x
11	x	x
10	x	x
9	x	x
8	x	x
7	x	x
6	x	x
5	x	x
4	x	x
3	x	x
2	x	x
1	x	x

#	PART	DESCRIPTION
F	x	xx/xx/xx
E	x	xx/xx/xx
D	x	xx/xx/xx
C	x	xx/xx/xx
B	x	xx/xx/xx

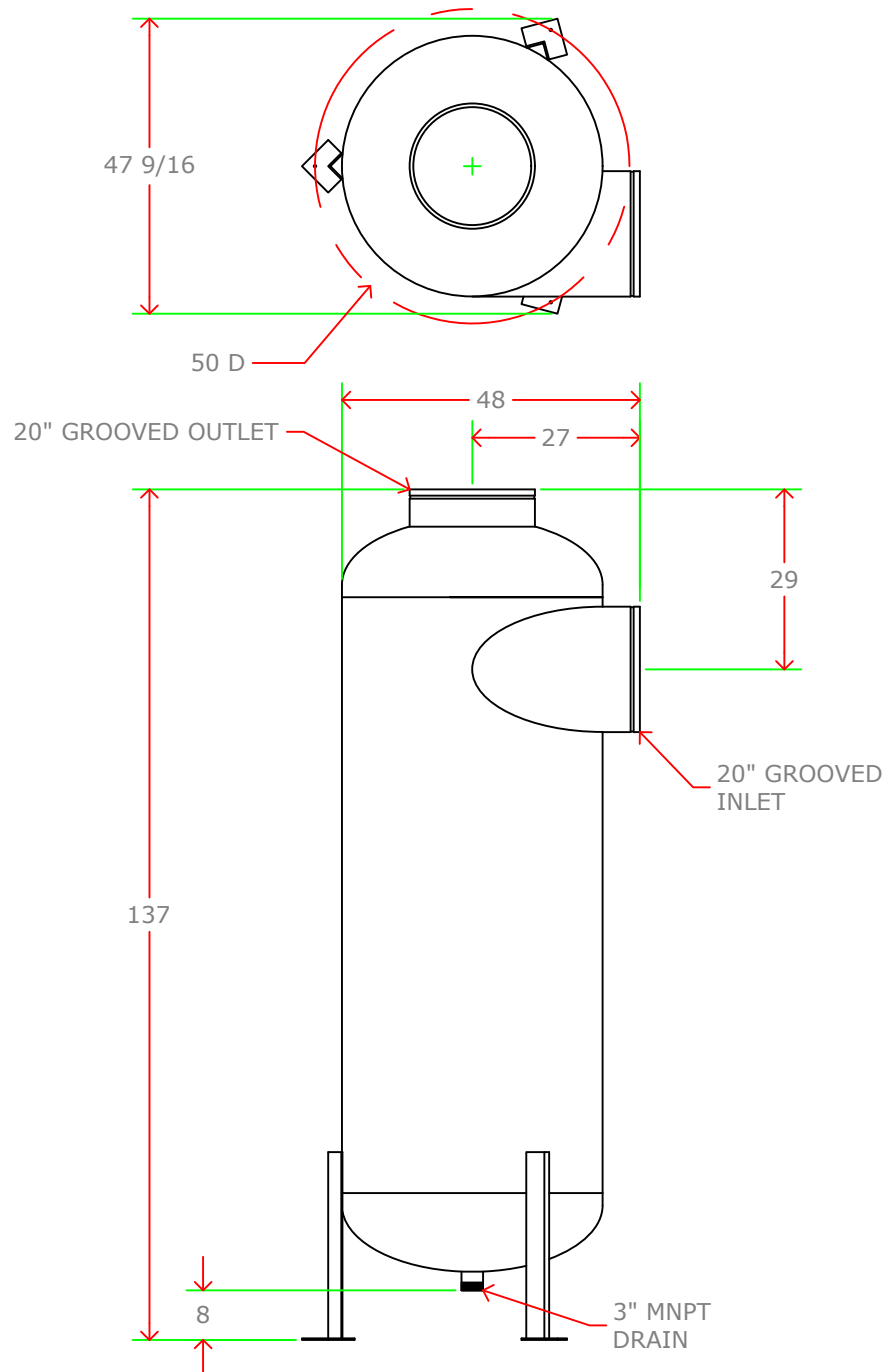
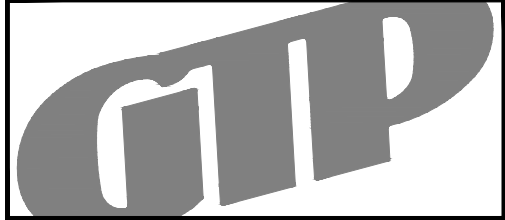
REV	DESCRIPTION	DATE
-----	-------------	------

General Treatment Products, Inc.
PO Box 8697, Brea, CA 92822
Phone: 714) 257-9165 <http://www.gtpcompany.com>
Fax: 714) 257-9215 customerservice@gtpcompany.com

Date: 1/1/14 Scale: NTS Rev.: A

Description:
18" 6500-11200GPM GROOVED SEPARATOR

Model:
SVX-1800



MATERIALS OF CONSTRUCTION:
CARBON STEEL

Capacity:	8050-13950 Gallons
Max Temp.:	200 F
Max Press.:	150 PSI
Weight:	2652 Lbs.
Voltage.:	x VAC x Phs x Hz
FLA.:	x amps

20	x	x
19	x	x
18	x	x
17	x	x
16	x	x
15	x	x
14	x	x
13	x	x
12	x	x
11	x	x
10	x	x
9	x	x
8	x	x
7	x	x
6	x	x
5	x	x
4	x	x
3	x	x
2	x	x
1	x	x

#	PART	DESCRIPTION
F	x	xx/xx/xx
E	x	xx/xx/xx
D	x	xx/xx/xx
C	x	xx/xx/xx
B	x	xx/xx/xx

REV	DESCRIPTION	DATE
-----	-------------	------

General Treatment Products, Inc.
 PO Box 8697, Brea, CA 92822
 Phone: 714) 257-9165 <http://www.gtpcompany.com>
 Fax: 714) 257-9215 customerservice@gtpcompany.com

Date: 1/1/14 Scale: NTS Rev.: A

Description:
20" 8050-13950GPM GROOVED SEPARATOR

Model:
SVX-2000