

**Dimensions:**

X	X	X	X	X	X	X	X	X	X
X	X	X	X	X	X	X	X	X	X
P500	60	52	58	X	X	X	.38	215 lbs	
P360	48	48	54	X	X	X	.38	135 lbs	
P275	48	42	44	X	X	X	.38	110 lbs	
P260	59.8	36.8	40.8	X	X	X	.38	105 lbs	
P200	48	36	40	X	X	X	.31	80 lbs	
P150	48	31	34	X	X	X	.31	68 lbs	
P100	46.3	26.8	20.8	X	X	X	.31	48 lbs	
P80	48	24	27	X	X	X	.13	38 lbs	
P65	40	22	25	X	X	X	.13	30 lbs	
P55	34	22.5	25.5	X	X	X	.13	30 lbs	
P30	28.5	18	20	X	X	X	.13	20 lbs	
P17	16.5	18	20	X	X	X	.13	18 lbs	
P15	21.5	15	17	X	X	X	.13	15 lbs	
P10	20.5	13.5	15.5	X	X	X	.13	11 lbs	
P7.5	16.5	12.5	13.5	X	X	X	.13	10 lbs	
P5	14	11	13	X	X	X	.13	6 lbs	
P3	9	9.5	11.5	X	X	X	.13	5 lbs	

Model	A	B	C	D	E	F	Wall	Weight
-------	---	---	---	---	---	---	------	--------

**Materials of Construction:**

High Density Polyethylene

<b>12</b>	X		X
<b>11</b>	X		X
<b>10</b>	X		X
<b>9</b>	X		X
<b>8</b>	X		X
<b>7</b>	X		X
<b>6</b>	X		X
<b>5</b>	X		X
<b>4</b>	X		X
<b>3</b>	X		X
<b>2</b>	X		X
<b>1</b>	X		X

#	Part	Description
---	------	-------------



Phone: 714-257-9165  
 Fax: 714-257-9215  
[www.gtpcompany.com](http://www.gtpcompany.com)

**Drwn By:** JC  
**Date:** 12/1/10  
**Scale:** NTS  
**Rev:** A

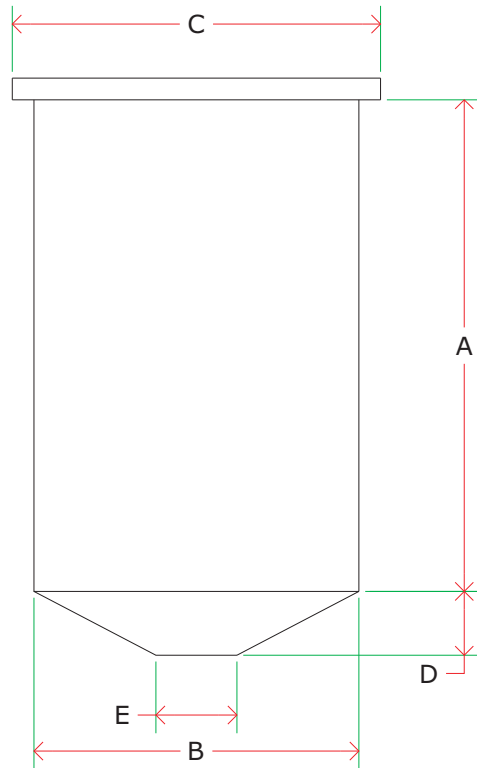
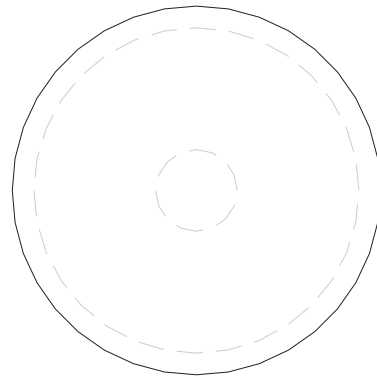
**Related Items:**  
 X

Rev.	Description	Date
D	X	X
C	X	X
B	X	X

**Notes:**  
 1)

**Notice**  
 This drawing and its content are for the specific use of GTP customers only. It is not to be duplicated or copied without expressed written content of General Treatment Products, Inc. We Reserve the right to modify this drawing with out notice.

**Description:**  
 Cylindrical Poly Tank and Cover  
**Model:**  
 PXX-C



**Dimensions:**

X	X	X	X	X	X	X	X	X	X
X	X	X	X	X	X	X	X	X	X
X	X	X	X	X	X	X	X	X	X
X	X	X	X	X	X	X	X	X	X
X	X	X	X	X	X	X	X	X	X
X	X	X	X	X	X	X	X	X	X
X	X	X	X	X	X	X	X	X	X
X	X	X	X	X	X	X	X	X	X
X	X	X	X	X	X	X	X	X	X
X	X	X	X	X	X	X	X	X	X
X	X	X	X	X	X	X	X	X	X
X	X	X	X	X	X	X	X	X	X

CP275	42.3	42.5	45.5	6.5	4.5	19°	.38	110 lbs
CP200	47	36	50	8	6	28°	.31	80 lbs
CP100	29	32	35	4	6	17°	.31	48 lbs
CP70	36.3	23.2	26.3	3.5	5	22°	.25	35 lbs
CP55	36.8	22	25	3.3	5	21°	.25	30 lbs
CP30	26.5	17.5	19.5	2.5	5	21°	.25	20 lbs
CP15	16.5	17	19	2	5.5	18°	.25	15 lbs
CP10	10.8	17	19	1.8	5.5	17°	.25	11 lbs
CP5	11	11	13	1.8	2.5	24°	.25	10 lbs

Model	A	B	C	D	E	Ang	Wall	Weight
-------	---	---	---	---	---	-----	------	--------

**Materials of Construction:**

High Density Polyethylene

12	X		X
11	X		X
10	X		X
9	X		X
8	X		X
7	X		X
6	X		X
5	X		X
4	X		X
3	X		X
2	X		X
1	X		X

#	Part	Description
---	------	-------------



Phone: 714-257-9165  
 Fax: 714-257-9215  
[www.gtpcompany.com](http://www.gtpcompany.com)

Drwn By:	JC
Date:	12/1/10
Scale:	NTS
Rev:	A

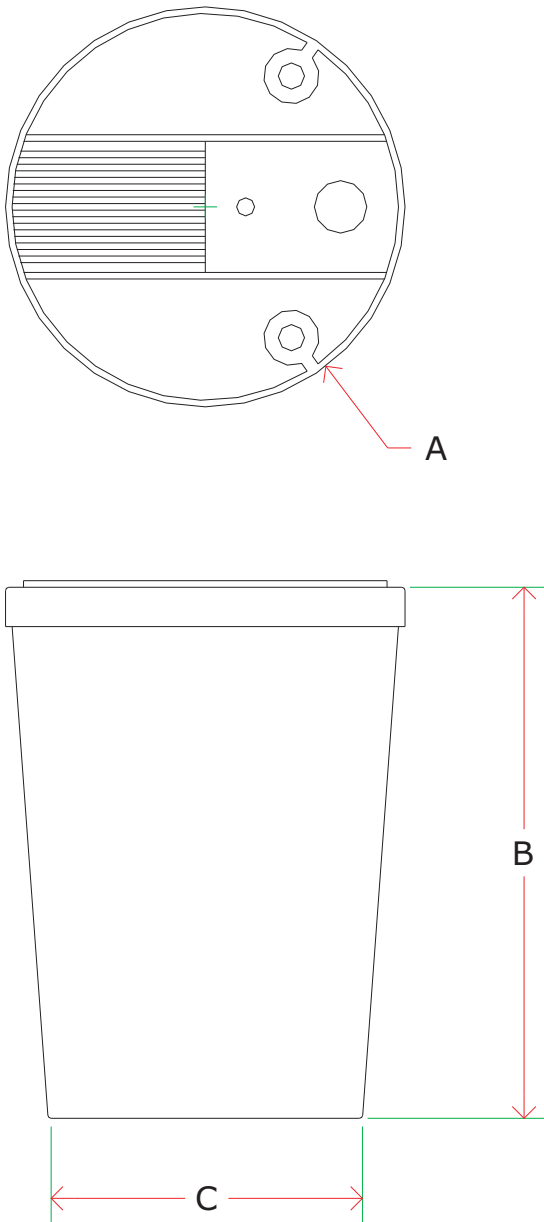
<b>Related Items:</b>	X
-----------------------	---

D	X	X
C	X	X
B	X	X
Rev.	Description	Date

**Notes:**  
 1)

**Notice**  
 This drawing and its content are for the specific use of GTP customers only. It is not to be duplicated or copied without expressed written content of General Treatment Products, Inc. We Reserve the right to modify this drawing with out notice.

**Description:**  
 Conical Poly Tank and Cover  
**Model:**  
 CP XX-C



**Dimensions:**

X	X	X	X	X	X	X	X	X
X	X	X	X	X	X	X	X	X
X	X	X	X	X	X	X	X	X
X	X	X	X	X	X	X	X	X
X	X	X	X	X	X	X	X	X
X	X	X	X	X	X	X	X	X
X	X	X	X	X	X	X	X	X
X	X	X	X	X	X	X	X	X
X	X	X	X	X	X	X	X	X
X	X	X	X	X	X	X	X	X
X	X	X	X	X	X	X	X	X
X	X	X	X	X	X	X	X	X
X	X	X	X	X	X	X	X	X
X	X	X	X	X	X	X	X	X
X	X	X	X	X	X	X	X	X
X	X	X	X	X	X	X	X	X
X	X	X	X	X	X	X	X	X
X	X	X	X	X	X	X	X	X
X	X	X	X	X	X	X	X	X
X	X	X	X	X	X	X	X	X
X	X	X	X	X	X	X	X	X
X	X	X	X	X	X	X	X	X
X	X	X	X	X	X	X	X	X
X	X	X	X	X	X	X	X	X
X	X	X	X	X	X	X	X	X
X	X	X	X	X	X	X	X	X
X	X	X	X	X	X	X	X	X
TP55	33.5	40.3	X	X	X	X	.25	30 lbs
TP35	33.5	26.8	X	X	X	X	.25	20 lbs

Model	A	B	C	D	E	F	Wall	Weight
-------	---	---	---	---	---	---	------	--------

**Materials of Construction:**  
High Density Polyethylene

12	X		X
11	X		X
10	X		X
9	X		X
8	X		X
7	X		X
6	X		X
5	X		X
4	X		X
3	X		X
2	X		X
1	X		X

#	Part	Description
---	------	-------------



**Phone:** 714-257-9165  
**Fax:** 714-257-9215  
**www.gtpcompany.com**

<b>Drwn By:</b>	JC
<b>Date:</b>	12/1/10
<b>Scale:</b>	NTS
<b>Rev:</b>	A

**Related Items:**  
X

D	X	X
C	X	X
B	X	X
Rev.	Description	Date

**Notes:**  
1)

**Notice**  
This drawing and its content are for the specific use of GTP customers only. It is not to be duplicated or copied without expressed written consent of General Treatment Products, Inc. We Reserve the right to modify this drawing with out notice.

**Description:**  
Tapered Poly Tank and Utility Cover

**Model:**  
TP xx-C