



**MATERIALS OF CONSTRUCTION:**

X

**Capacity:** N/A Gallons  
**Max Temp.:** 85 F  
**Max Press.:** N/A PSI  
**Weight:** 8 Lbs.  
**Voltage.:** 115 VAC 1 Phs 50/60Hz  
**FLA.:** 10 amps

20	x	x
19	x	x
18	x	x
17	x	x
16	x	x
15	x	x
14	x	x
13	x	x
12	x	x
11	x	x
10	x	x
9	x	x
8	x	x
7	x	x
6	x	x
5	x	x
4	x	x
3	x	x
2	x	x
1	x	x

#	PART	DESCRIPTION
F	x	xx/xx/xx
E	x	xx/xx/xx
D	x	xx/xx/xx
C	x	xx/xx/xx
B	x	xx/xx/xx

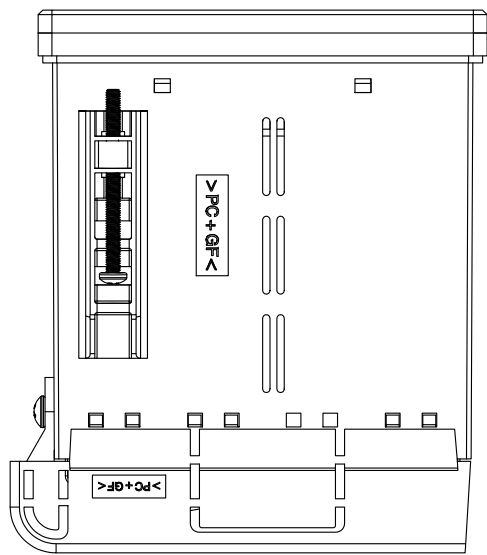
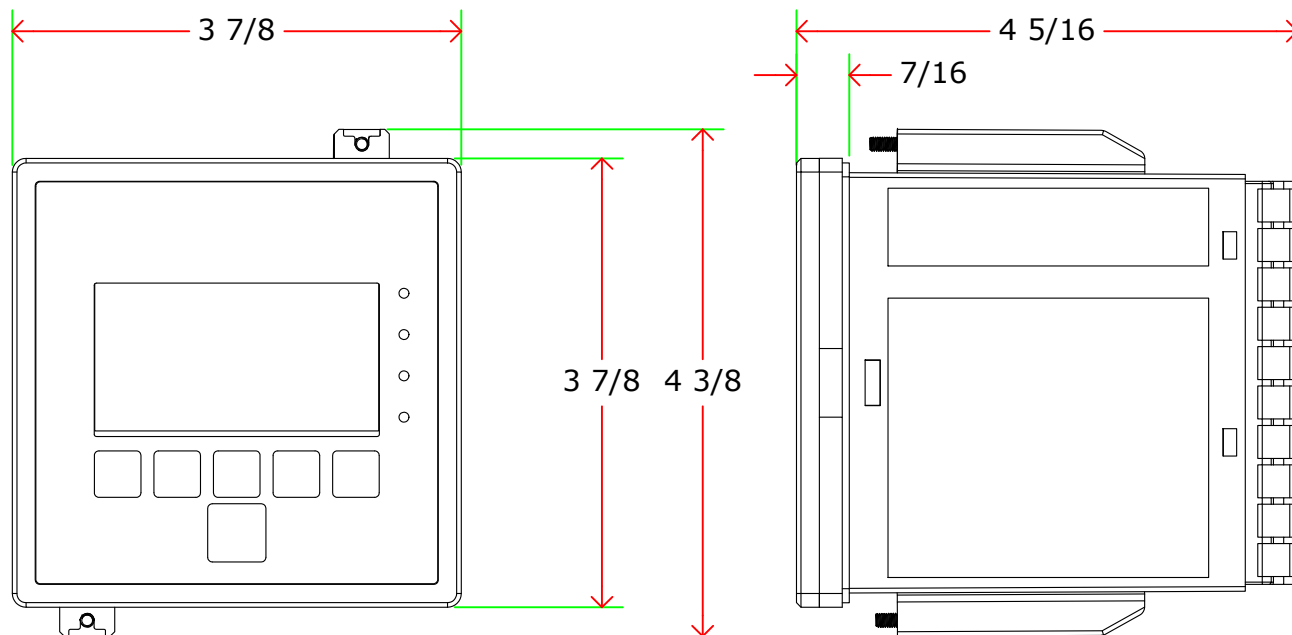
REV	DESCRIPTION	DATE
-----	-------------	------

General Treatment Products, Inc.  
 PO Box 8697, Brea, CA 92822  
 Phone: 714) 257-9165 <http://www.gtpcompany.com>  
 Fax: 714) 257-9215 [customerservice@gtpcompany.com](mailto:customerservice@gtpcompany.com)

Date: 1/1/17 Scale: NTS Rev.: A

Description:  
**WALCHEM W100 CONTROLLER**

Model:  
**W100P**





**MATERIALS OF CONSTRUCTION:**

X

**Capacity:** N/A Gallons  
**Max Temp.:** 85 F  
**Max Press.:** N/A PSI  
**Weight:** 10 Lbs.  
**Voltage.:** 115 VAC 1 Phs 50/60Hz  
**FLA.:** 10 amps

20	x	x
19	x	x
18	x	x
17	x	x
16	x	x
15	x	x
14	x	x
13	x	x
12	x	x
11	x	x
10	x	x
9	x	x
8	x	x
7	x	x
6	x	x
5	x	x
4	x	x
3	x	x
2	x	x
1	x	x

#	PART	DESCRIPTION
F	x	xx/xx/xx
E	x	xx/xx/xx
D	x	xx/xx/xx
C	x	xx/xx/xx
B	x	xx/xx/xx

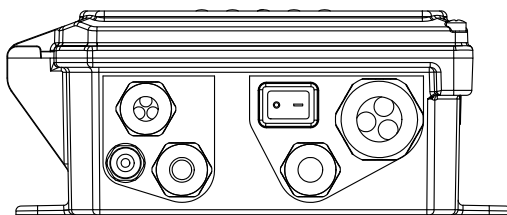
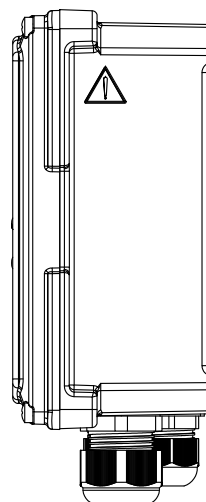
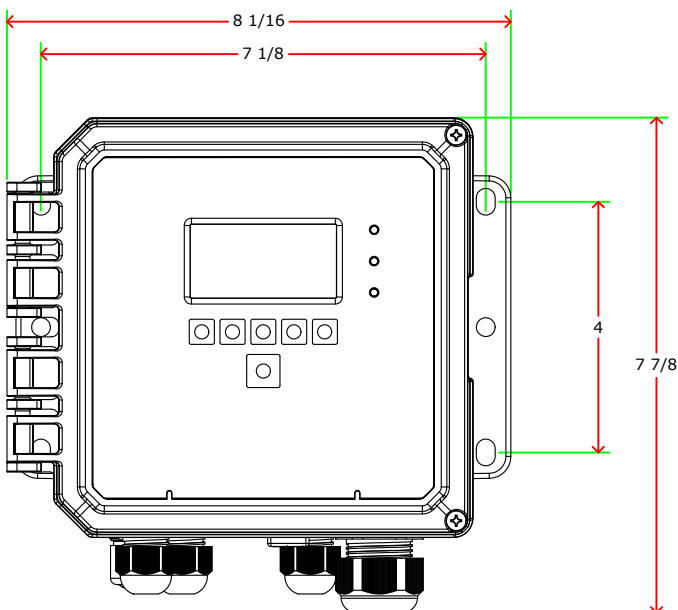
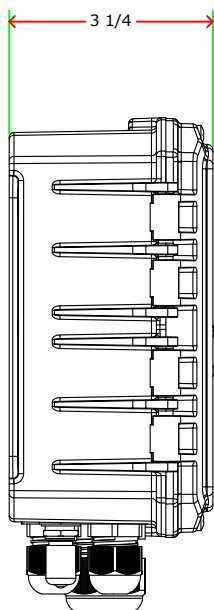
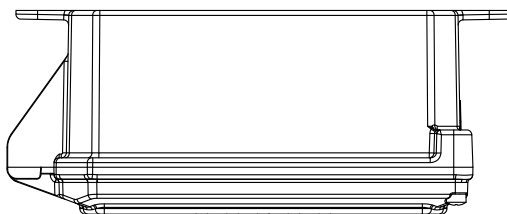
REV	DESCRIPTION	DATE
-----	-------------	------

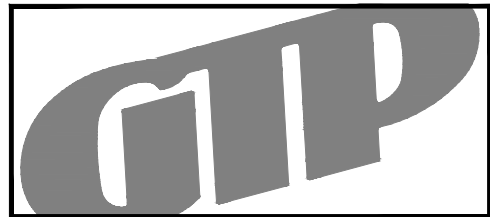
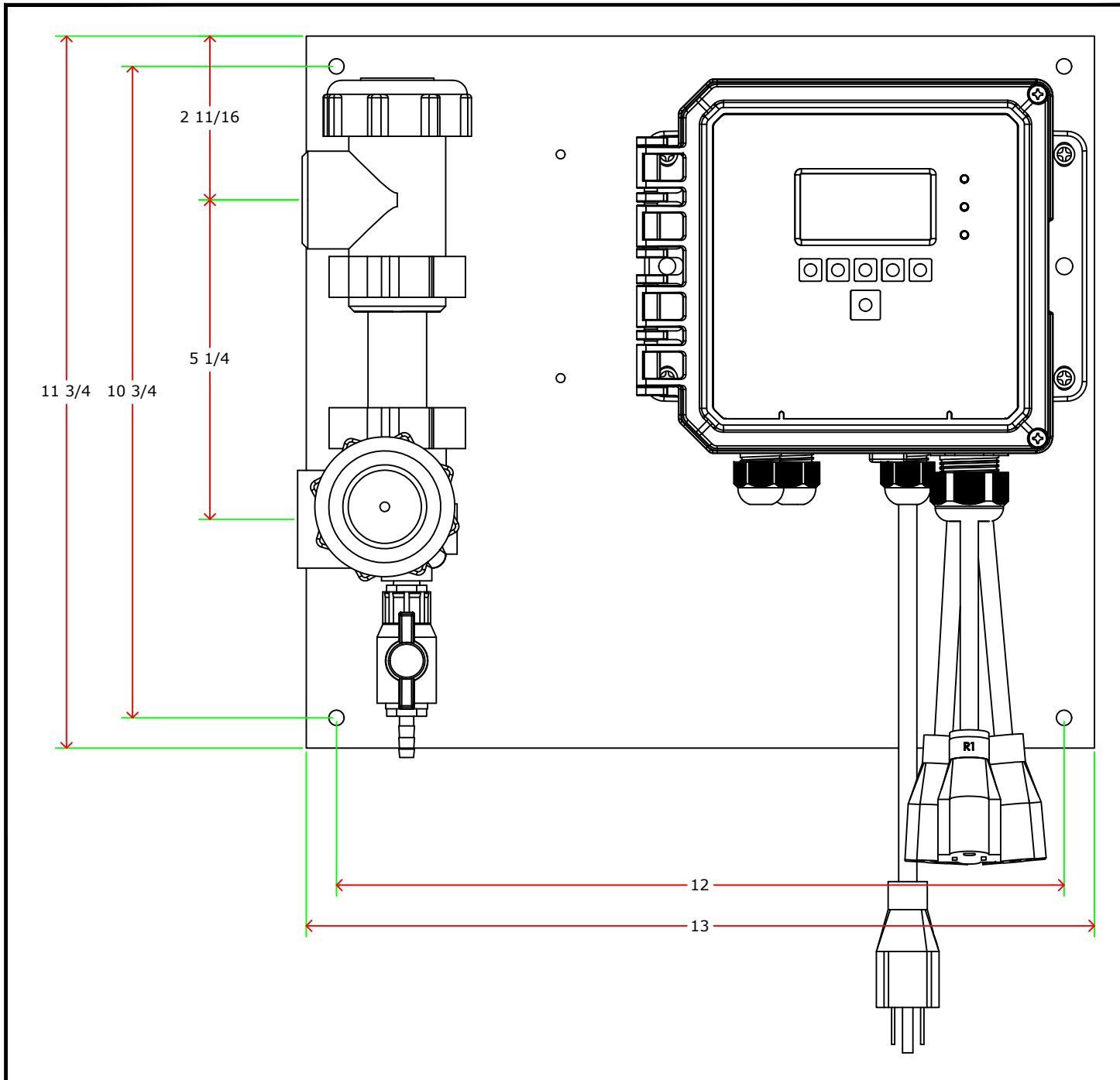
General Treatment Products, Inc.  
 PO Box 8697, Brea, CA 92822  
 Phone: 714) 257-9165 <http://www.gtpcompany.com>  
 Fax: 714) 257-9215 [customerservice@gtpcompany.com](mailto:customerservice@gtpcompany.com)

Date: 1/1/17 Scale: NTS Rev.: A

Description:  
**WALCHEM W100 CONTROLLER**

Model:  
**W100W**





**MATERIALS OF CONSTRUCTION:**  
 X

**Capacity:** N/A Gallons  
**Max Temp.:** 85 F  
**Max Press.:** 0 PSI  
**Weight:** 10 Lbs.  
**Voltage.:** 115 VAC 1 Phs 50/60Hz  
**FLA.:** 10 amps

20	x	x
19	x	x
18	x	x
17	x	x
16	x	x
15	x	x
14	x	x
13	x	x
12	x	x
11	x	x
10	x	x
9	x	x
8	x	x
7	x	x
6	x	x
5	x	x
4	x	x
3	x	x
2	x	x
1	x	x

#	PART	DESCRIPTION
F	x	xx/xx/xx
E	x	xx/xx/xx
D	x	xx/xx/xx
C	x	xx/xx/xx
B	x	xx/xx/xx

REV	DESCRIPTION	DATE
-----	-------------	------

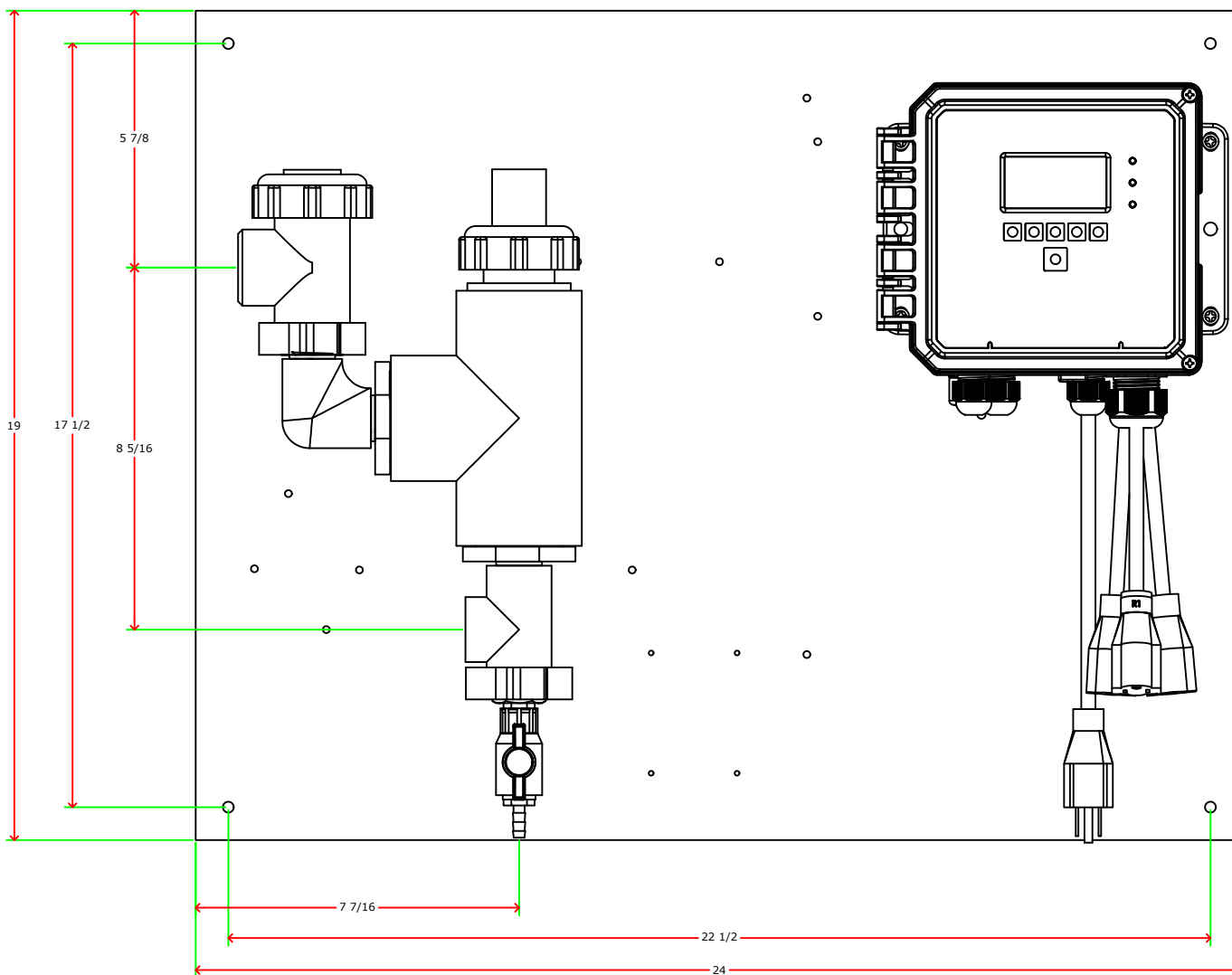
General Treatment Products, Inc.  
 PO Box 8697, Brea, CA 92822  
 Phone: 714) 257-9165 <http://www.gtpcompany.com>  
 Fax: 714) 257-9215 [customerservice@gtpcompany.com](mailto:customerservice@gtpcompany.com)

Date: 1/1/17 Scale: NTS Rev.: A

Description: WALCHEM W100 CONTROLLER

Model: WCTW100PN-B

NOTICE: This drawing and its contents are for the specific use of GTP customers only. It is not to be duplicated or copied without expressed written consent of General Treatment Products, Inc. We reserve the right to modify this drawing without notice.



**MATERIALS OF CONSTRUCTION:**  
 X

**Capacity:** N/A Gallons  
**Max Temp.:** 85 F  
**Max Press.:** 0 PSI  
**Weight:** 22 Lbs.  
**Voltage.:** 115 VAC 1 Phs 50/60Hz  
**FLA.:** 10 amps

20	x	x
19	x	x
18	x	x
17	x	x
16	x	x
15	x	x
14	x	x
13	x	x
12	x	x
11	x	x
10	x	x
9	x	x
8	x	x
7	x	x
6	x	x
5	x	x
4	x	x
3	x	x
2	x	x
1	x	x

#	PART	DESCRIPTION
F	x	xx/xx/xx
E	x	xx/xx/xx
D	x	xx/xx/xx
C	x	xx/xx/xx
B	x	xx/xx/xx

REV DESCRIPTION DATE

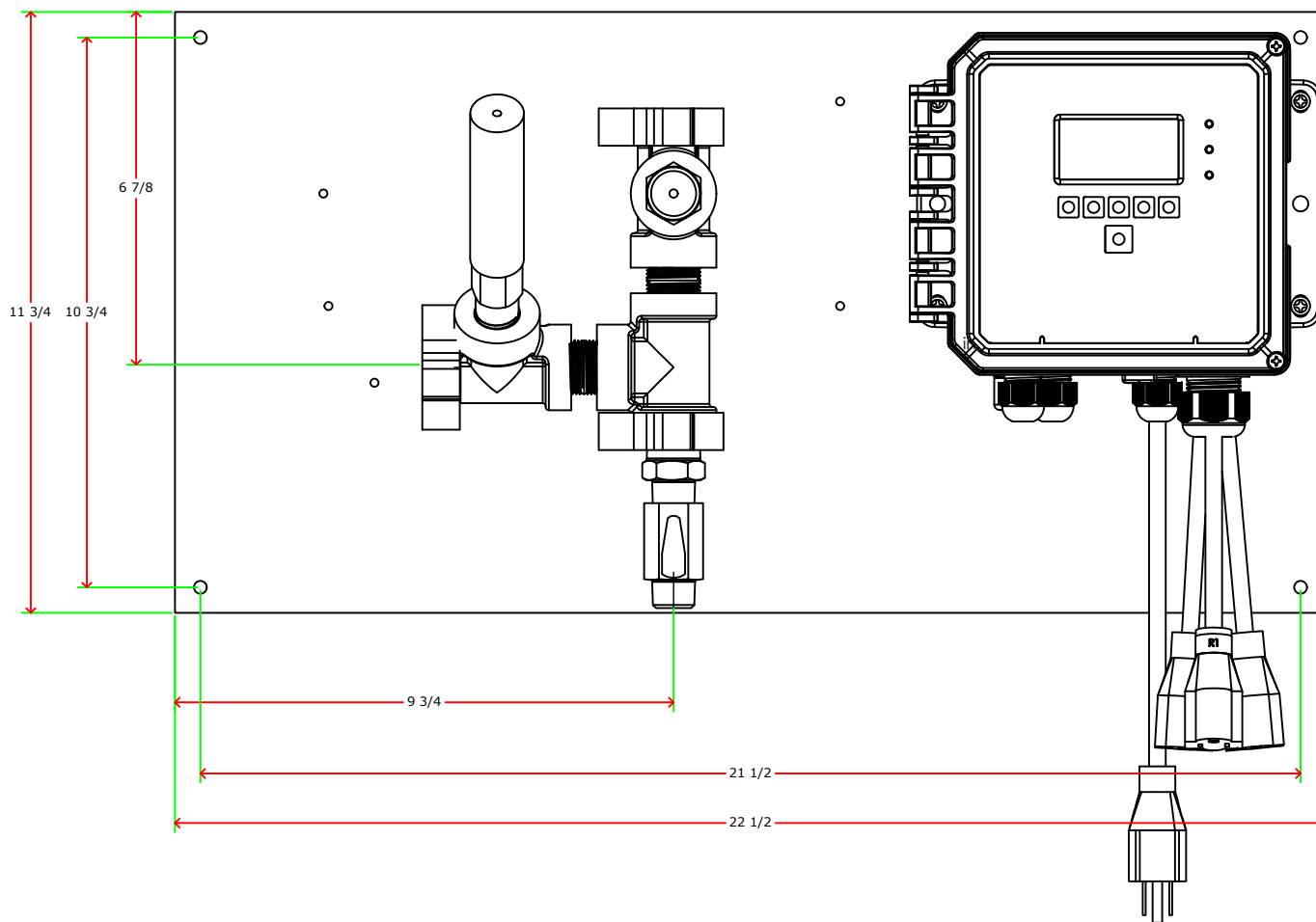
General Treatment Products, Inc.  
 PO Box 8697, Brea, CA 92822  
 Phone: 714) 257-9165 <http://www.gtpcompany.com>  
 Fax: 714) 257-9215 [customerservice@gtpcompany.com](mailto:customerservice@gtpcompany.com)

Date: 1/1/17 Scale: NTS Rev.: A

Description: WALCHEM W100 CONTROLLER

Model: WCTW100PN-H

NOTICE: This drawing and its contents are for the specific use of GTP customers only. It is not to be duplicated or copied without expressed written consent of General Treatment Products, Inc. We reserve the right to modify this drawing without notice.



**MATERIALS OF CONSTRUCTION:**  
 X

**Capacity:** N/A Gallons  
**Max Temp.:** 85 F  
**Max Press.:** 0 PSI  
**Weight:** 16 Lbs.  
**Voltage.:** 115 VAC 1 Phs 50/60Hz  
**FLA.:** 10 amps

20	x	x
19	x	x
18	x	x
17	x	x
16	x	x
15	x	x
14	x	x
13	x	x
12	x	x
11	x	x
10	x	x
9	x	x
8	x	x
7	x	x
6	x	x
5	x	x
4	x	x
3	x	x
2	x	x
1	x	x

#	PART	DESCRIPTION
F	x	xx/xx/xx
E	x	xx/xx/xx
D	x	xx/xx/xx
C	x	xx/xx/xx
B	x	xx/xx/xx

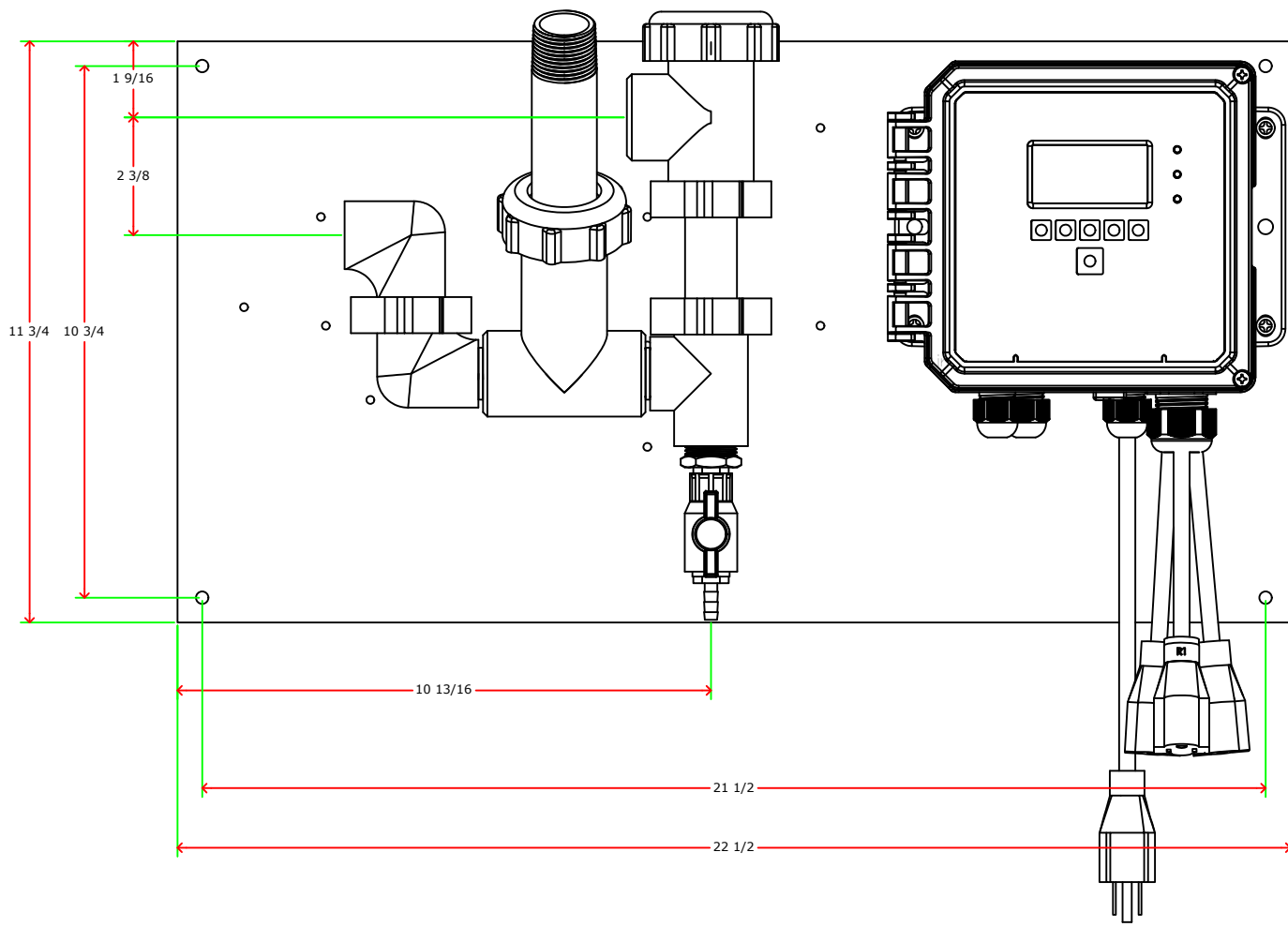
REV DESCRIPTION DATE

General Treatment Products, Inc.  
 PO Box 8697, Brea, CA 92822  
 Phone: 714) 257-9165 <http://www.gtpcompany.com>  
 Fax: 714) 257-9215 [customerservice@gtpcompany.com](mailto:customerservice@gtpcompany.com)

Date: 1/1/17 Scale: NTS Rev.: A

Description:  
**WALCHEM W100 CONTROLLER**

Model:  
**WCTW100PN-D**



**MATERIALS OF CONSTRUCTION:**  
 X

<b>Capacity:</b>	N/A	Gallons
<b>Max Temp.:</b>	85	F
<b>Max Press.:</b>	0	PSI
<b>Weight:</b>	20	Lbs.
<b>Voltage.:</b>	115 VAC 1 Phs	50/60Hz
<b>FLA.:</b>	10	amps

20	x	x
19	x	x
18	x	x
17	x	x
16	x	x
15	x	x
14	x	x
13	x	x
12	x	x
11	x	x
10	x	x
9	x	x
8	x	x
7	x	x
6	x	x
5	x	x
4	x	x
3	x	x
2	x	x
1	x	x

#	PART	DESCRIPTION
F	x	xx/xx/xx
E	x	xx/xx/xx
D	x	xx/xx/xx
C	x	xx/xx/xx
B	x	xx/xx/xx

REV	DESCRIPTION	DATE
-----	-------------	------

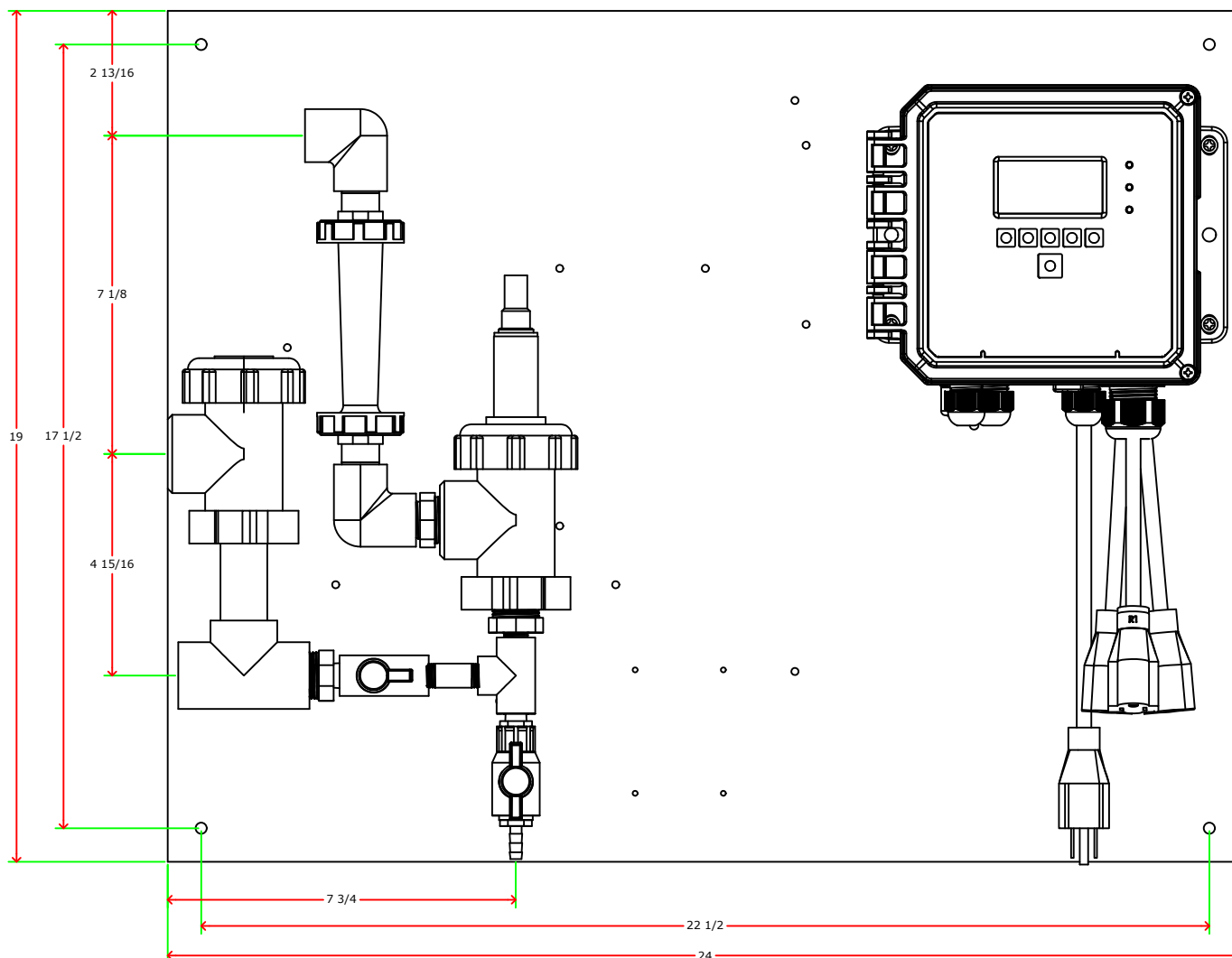
General Treatment Products, Inc.  
 PO Box 8697, Brea, CA 92822  
 Phone: 714) 257-9165 <http://www.gtpcompany.com>  
 Fax: 714) 257-9215 [customerservice@gtpcompany.com](mailto:customerservice@gtpcompany.com)

Date: 1/1/17 Scale: NTS Rev.: A

Description: **WALCHEM W100 CONTROLLER**

Model: **WPHPW100PN-F**

NOTICE: This drawing and its contents are for the specific use of GTP customers only. It is not to be duplicated or copied without expressed written consent of General Treatment Products, Inc. We reserve the right to modify this drawing without notice.



**MATERIALS OF CONSTRUCTION:**  
X

<b>Capacity:</b>	N/A	Gallons
<b>Max Temp.:</b>	85	F
<b>Max Press.:</b>	0	PSI
<b>Weight:</b>	25	Lbs.
<b>Voltage.:</b>	115 VAC 1 Phs	50/60Hz
<b>FLA.:</b>	10	amps

20	x	x
19	x	x
18	x	x
17	x	x
16	x	x
15	x	x
14	x	x
13	x	x
12	x	x
11	x	x
10	x	x
9	x	x
8	x	x
7	x	x
6	x	x
5	x	x
4	x	x
3	x	x
2	x	x
1	x	x

#	PART	DESCRIPTION
F	x	xx/xx/xx
E	x	xx/xx/xx
D	x	xx/xx/xx
C	x	xx/xx/xx
B	x	xx/xx/xx

REV	DESCRIPTION	DATE
-----	-------------	------

General Treatment Products, Inc.  
 PO Box 8697, Brea, CA 92822  
 Phone: 714) 257-9165 <http://www.gtpcompany.com>  
 Fax: 714) 257-9215 [customerservice@gtpcompany.com](mailto:customerservice@gtpcompany.com)

Date: 1/1/17 Scale: NTS Rev.: A

Description:  
**WALCHEM W100 CONTROLLER**

Model:  
**WDSW100PN-x**

NOTICE: This drawing and its contents are for the specific use of GTP customers only. It is not to be duplicated or copied without expressed written consent of General Treatment Products, Inc. We reserve the right to modify this drawing without notice.