

CELLULAR ROUTER
 24VDC POWER SUPPLY
 LOCKING HASPE

MATERIALS OF CONSTRUCTION:
 POLYCARBONATE

Max Temp.: 95 F
Weight: 12 Lbs.
Voltage.: 115 VAC 1 Phs 60 Hz
FLA.: 1.2 amps

20	x	x
19	x	x
18	x	x
17	x	x
16	x	x
15	x	x
14	x	x
13	x	x
12	x	x
11	x	x
10	x	x
9	x	x
8	x	x
7	x	x
6	x	x
5	x	x
4	x	x
3	x	x
2	x	x
1	x	x

#	PART	DESCRIPTION
F	x	xx/xx/xx
E	x	xx/xx/xx
D	x	xx/xx/xx
C	x	xx/xx/xx
B	x	xx/xx/xx

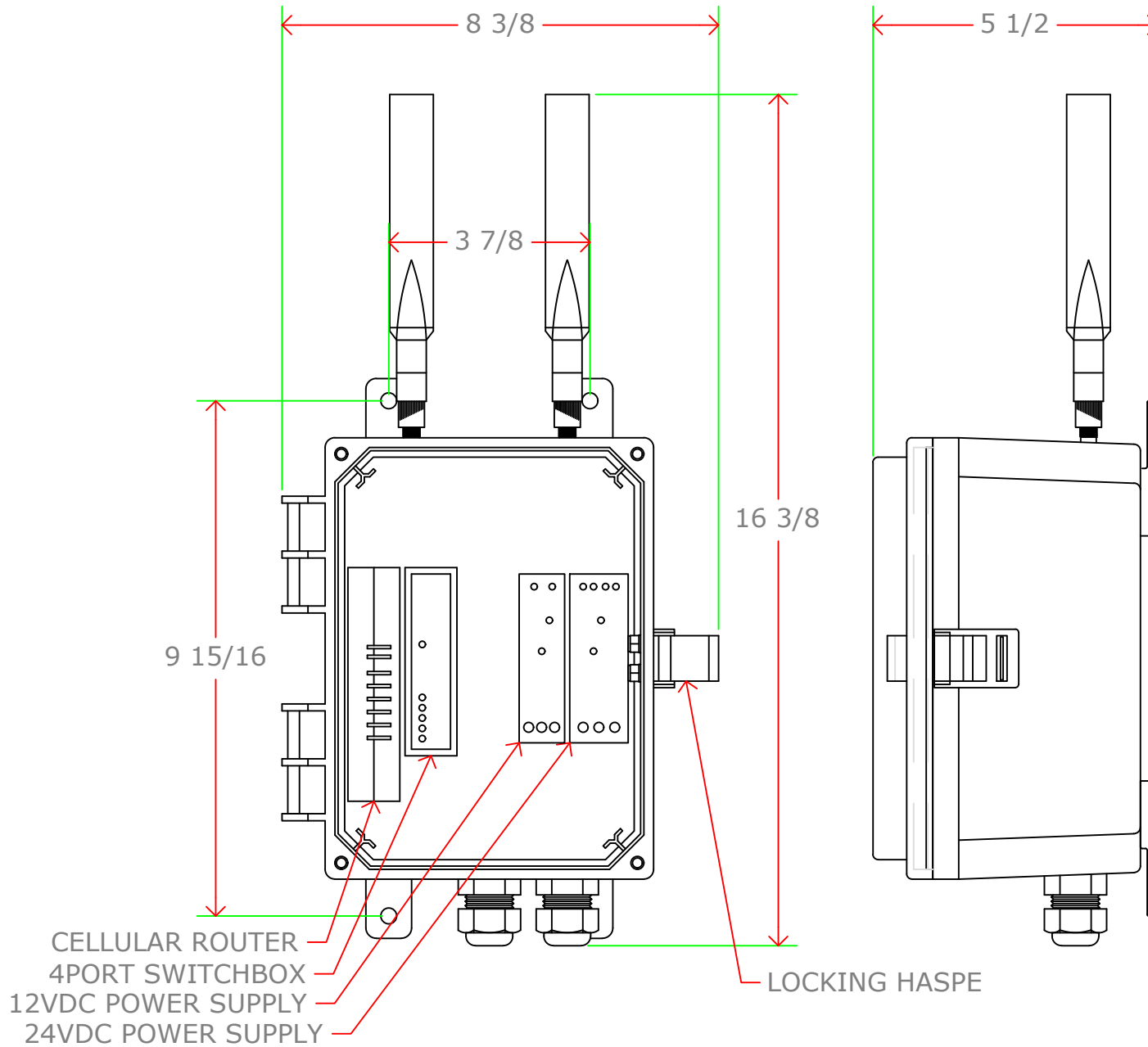
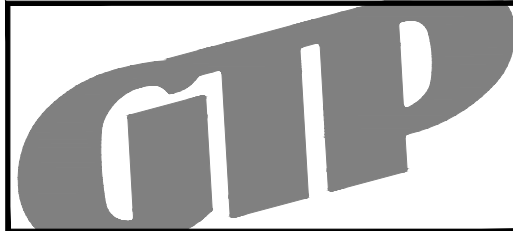
REV	DESCRIPTION	DATE
-----	-------------	------

General Treatment Products, Inc.
 PO Box 8697, Brea, CA 92822
 Phone: 714) 257-9165 <http://www.gtpcompany.com>
 Fax: 714) 257-9215 customerservice@gtpcompany.com

Date: 1/1/18 Scale: NTS Rev.: A

Description:
 GTPCONNECT CELL

Model:
 CONNECT-CELL



MATERIALS OF CONSTRUCTION:
POLYCARBONATE

Max Temp.: 95 F
Weight: 12 Lbs.
Voltage.: 115 VAC 1 Phs 60 Hz
FLA.: 1.2 amps

20	x	x
19	x	x
18	x	x
17	x	x
16	x	x
15	x	x
14	x	x
13	x	x
12	x	x
11	x	x
10	x	x
9	x	x
8	x	x
7	x	x
6	x	x
5	x	x
4	x	x
3	x	x
2	x	x
1	x	x

#	PART	DESCRIPTION
F	x	xx/xx/xx
E	x	xx/xx/xx
D	x	xx/xx/xx
C	x	xx/xx/xx
B	x	xx/xx/xx

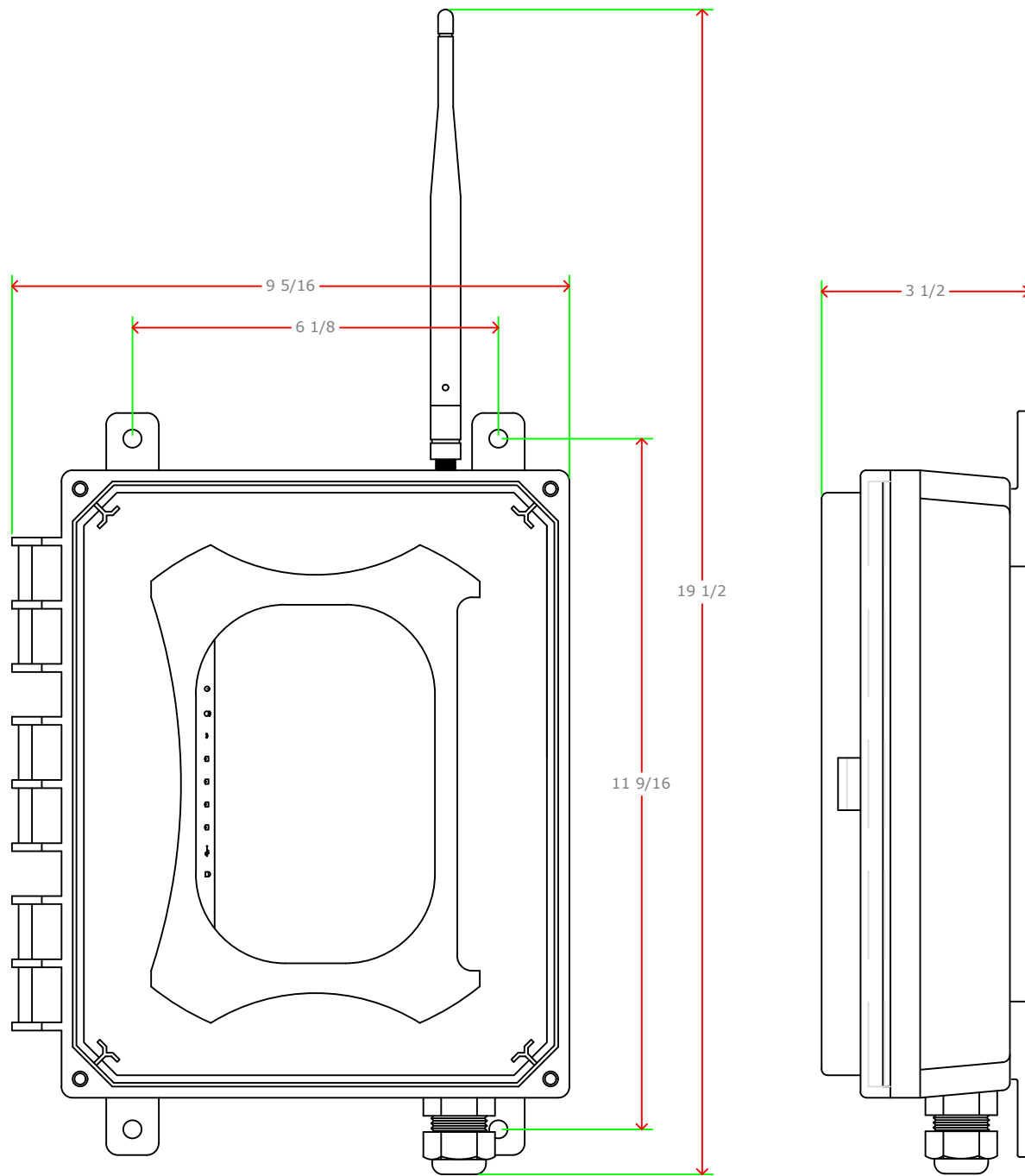
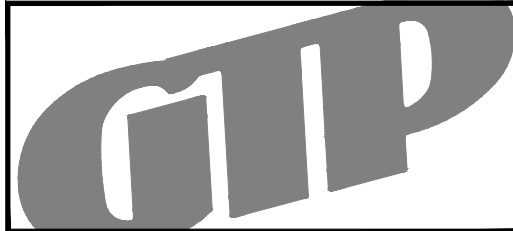
REV	DESCRIPTION	DATE
-----	-------------	------

General Treatment Products, Inc.
 PO Box 8697, Brea, CA 92822
 Phone: 714) 257-9165 <http://www.gtpcompany.com>
 Fax: 714) 257-9215 customerservice@gtpcompany.com

Date: 1/1/18 Scale: NTS Rev.: A

Description:
GTPCONNECT CELL

Model:
CONNECT-CELL/P4



MATERIALS OF CONSTRUCTION:
POLYCARBONATE

Capacity:	x	Gallons
Max Temp.:	95	F
Max Press.:	x	PSI
Weight:	8	Lbs.
Voltage.:	115 VAC	1 Phs 60 Hz
FLA.:	1.0	amps

20	x	x
19	x	x
18	x	x
17	x	x
16	x	x
15	x	x
14	x	x
13	x	x
12	x	x
11	x	x
10	x	x
9	x	x
8	x	x
7	x	x
6	x	x
5	x	x
4	x	x
3	x	x
2	x	x
1	x	x

#	PART	DESCRIPTION
F	x	xx/xx/xx
E	x	xx/xx/xx
D	x	xx/xx/xx
C	x	xx/xx/xx
B	x	xx/xx/xx

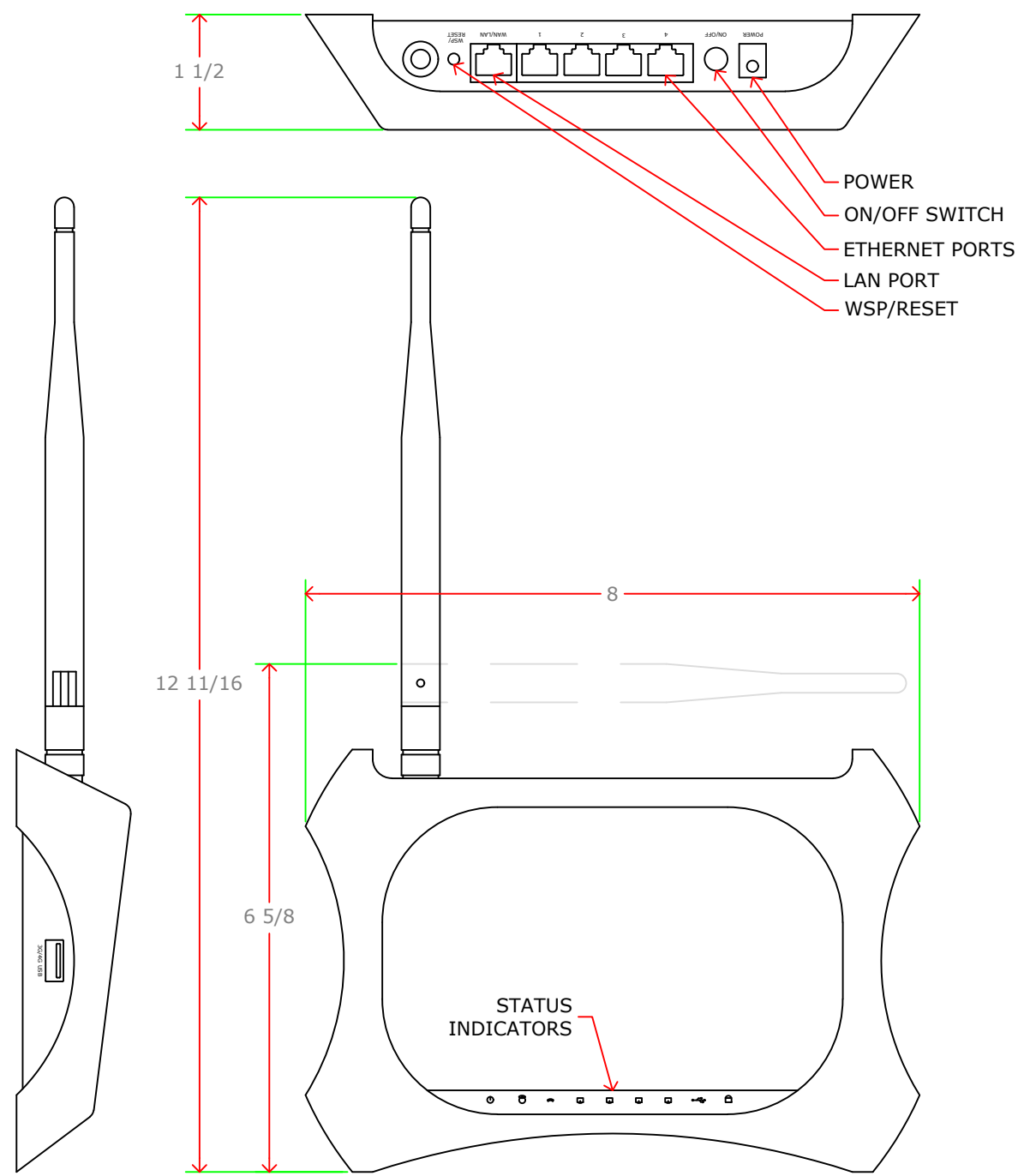
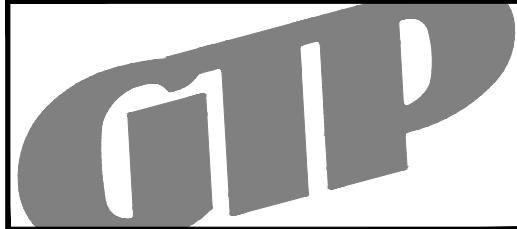
REV	DESCRIPTION	DATE
-----	-------------	------

General Treatment Products, Inc.
 PO Box 8697, Brea, CA 92822
 Phone: 714) 257-9165 <http://www.gtpcompany.com>
 Fax: 714) 257-9215 customerservice@gtpcompany.com

Date: 1/1/18 Scale: NTS Rev.: A

Description:
WIRELESS ROUTER

Model:
CONNECT-WIFI



MATERIALS OF CONSTRUCTION:
 ROUTER, POWER SUPPLY, 3FT POWER CABLE, 3FT RJ45 CABLE

Capacity:	x	Gallons				
Max Temp.:	x	F				
Max Press.:	x	PSI				
Weight:	x	Lbs.				
Voltage.:	x	VAC	x	Phs	x	Hz
FLA.:	x	amps				

20	x	x
19	x	x
18	x	x
17	x	x
16	x	x
15	x	x
14	x	x
13	x	x
12	x	x
11	x	x
10	x	x
9	x	x
8	x	x
7	x	x
6	x	x
5	x	x
4	x	x
3	x	x
2	x	x
1	x	x

#	PART	DESCRIPTION
F	x	xx/xx/xx
E	x	xx/xx/xx
D	x	xx/xx/xx
C	x	xx/xx/xx
B	x	xx/xx/xx

REV	DESCRIPTION	DATE
-----	-------------	------

General Treatment Products, Inc.
 PO Box 8697, Brea, CA 92822
 Phone: 714) 257-9165 <http://www.gtpcompany.com>
 Fax: 714) 257-9215 customerservice@gtpcompany.com

Date: 1/1/16 Scale: NTS Rev.: A

Description:
 WIRELESS ROUTER, 300FT RANGE, OEM

Model:
 CONNECT-WF4000E