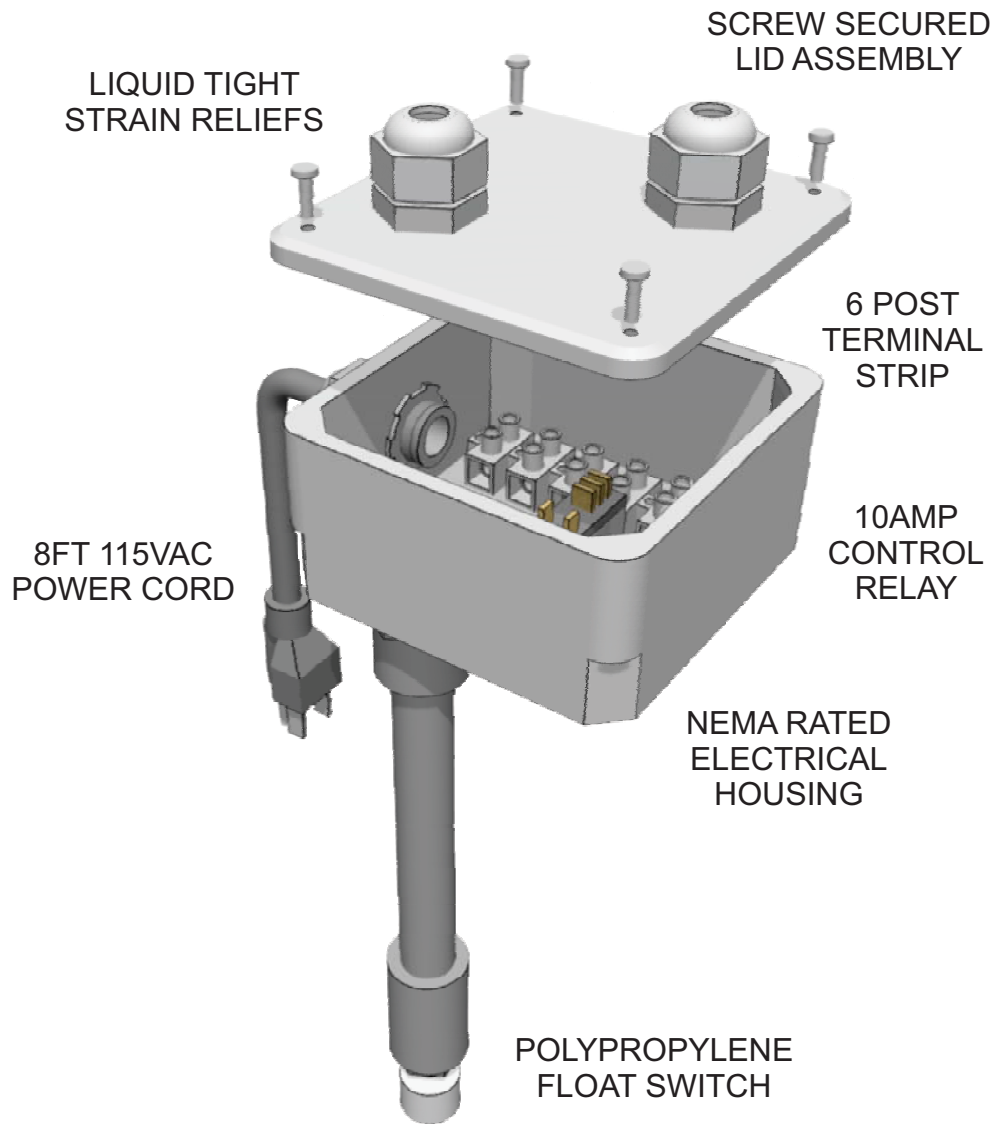


RESIDENTIAL GLYCOL FEED PACKAGE INSTALLATION



MATERIALS OF CONSTRUCTION:
ABS PLASTIC, PVC, POLYPROPYLENE

| | | |
|--------------------|-----|-----------------|
| Capacity: | N/A | Gallons |
| Max Temp.: | 85 | F |
| Max Press.: | N/A | PSI |
| Weight: | 3 | Lbs. |
| Voltage.: | 115 | VAC 1 Phs 60 Hz |
| FLA.: | 1.0 | amps |

| | | |
|----|---|---|
| 20 | x | x |
| 19 | x | x |
| 18 | x | x |
| 17 | x | x |
| 16 | x | x |
| 15 | x | x |
| 14 | x | x |
| 13 | x | x |
| 12 | x | x |
| 11 | x | x |
| 10 | x | x |
| 9 | x | x |
| 8 | x | x |
| 7 | x | x |
| 6 | x | x |
| 5 | x | x |
| 4 | x | x |
| 3 | x | x |
| 2 | x | x |
| 1 | x | x |

| REV | PART | DESCRIPTION |
|-----|------|-------------|
| F | x | xxV/xxV |
| E | x | xxV/xxV |
| D | x | xxV/xxV |
| C | x | xxV/xxV |
| B | x | xxV/xxV |

General Treatment Products, Inc.
PO Box 8697, Brea, CA 92822
Phone: 714) 257-9165 http://www.gtpcompany.com
Fax: 714) 257-9215 customerservice@gtpcompany.com

Date: 1/1/2017 **Scale:** NTS **Rev.:** A

Description:
RESIDENTIAL GLYCOL INSTALLATION

Model:
GRE CONTROL MODULE