

# CHEMICAL MIXER INSTALLATION

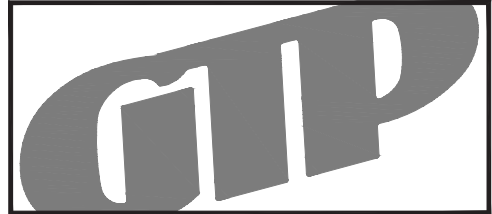
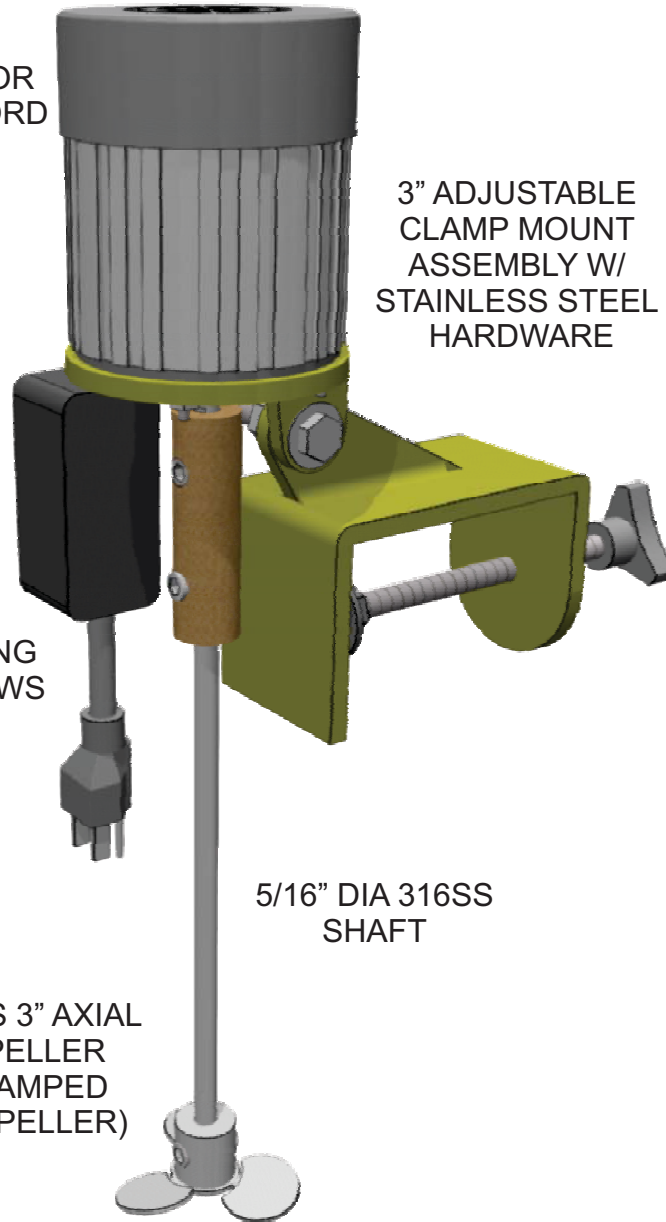
1/15HP TEFC  
PREWIRED MOTOR  
W/8FT POWER CORD

3" ADJUSTABLE  
CLAMP MOUNT  
ASSEMBLY W/  
STAINLESS STEEL  
HARDWARE

BRASS COUPLING  
W/SS SET SCREWS

5/16" DIA 316SS  
SHAFT

316SS 3" AXIAL  
IMPELLER  
(STAMPED  
PROPELLER)



**MATERIALS OF CONSTRUCTION:**  
CARBON STEEL, BRASS, 316 STAINLESS

<b>Capacity:</b>	N/A	Gallons
<b>Max Temp.:</b>	85	F
<b>Max Press.:</b>	N/A	PSI
<b>Weight:</b>	11	Lbs.
<b>Voltage.:</b>	115 VAC	1 Phs 60 Hz
<b>FLA.:</b>	0.3	amps

20	x	x
19	x	x
18	x	x
17	x	x
16	x	x
15	x	x
14	x	x
13	x	x
12	x	x
11	x	x
10	x	x
9	x	x
8	x	x
7	x	x
6	x	x
5	x	x
4	x	x
3	x	x
2	x	x
1	x	x

REV	PART	DESCRIPTION
F	x	xxVxxV
E	x	xxVxxV
D	x	xxVxxV
C	x	xxVxxV
B	x	xxVxxV

General Treatment Products, Inc.  
PO Box 8697, Brea, CA 92822  
Phone: 714) 257-9165      <http://www.gtpcompany.com>  
Fax: 714) 257-9215      [customerservice@gtpcompany.com](mailto:customerservice@gtpcompany.com)

Date: 1/1/2017      Scale: NTS      Rev.: A

Description:  
CHEMICAL MIXER INSTALLATION

Model:  
MH-C-0066E