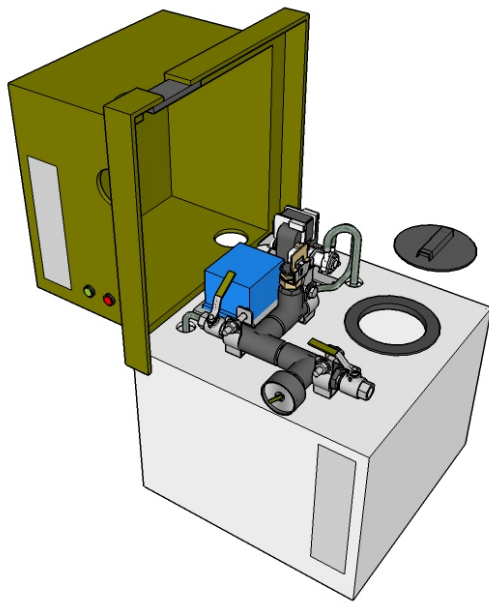


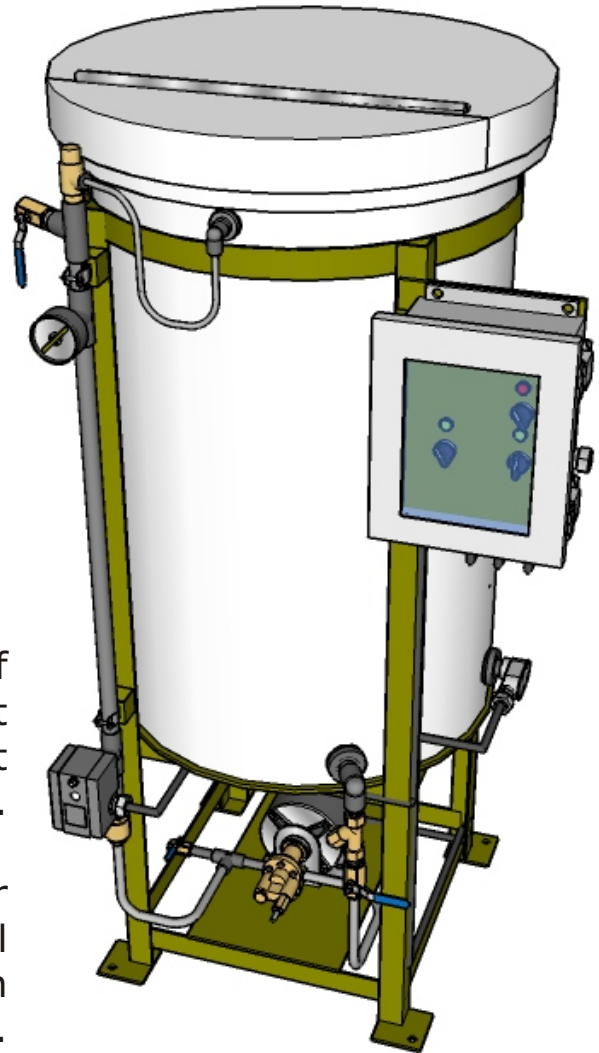


# “GTP” Gly-Pack Glycol Feed Packages



The most complete line of **Glycol Feed Packages** on the market is available to you only at **General Treatment Products, Inc.**

Pick the style, size, pump, specify your settings and choose your options. We'll make it to order, test it and deliver it on time.



**PO Box. 8697, Brea, CA 92822-5697** ♦ **Phone 714) 257-9165**  
**113 Viking Ave. Brea, CA 92821** ♦ **Fax 714) 257-9215**  
**[www.gtpcompany.com](http://www.gtpcompany.com)** ♦ **[customerservice@gtpcompany.com](mailto:customerservice@gtpcompany.com)**

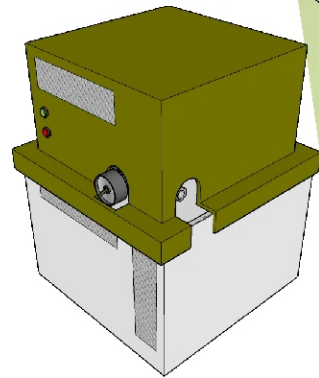
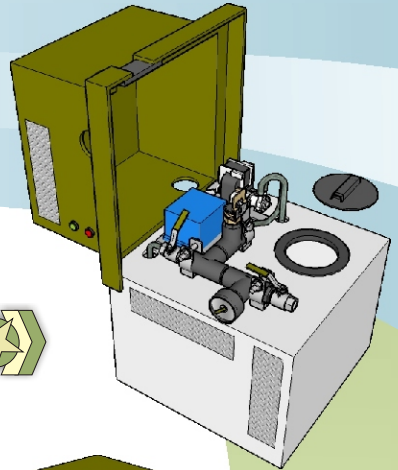
# Glycol Feed Packages

## "GR/GRE" Series

### Residential Packages

#### Features:

- ◆ 7.5 or 15 Gallon Sizes
- ◆ Selectable Metering Pump
- ◆ Selectable Pressure Settings
- ◆ Adjustable Pressure Switch, Check Valve, Adjustable Pressure Relief Valve & Isolation Valve
- ◆ Low Level Switch & Indicator (Standard)
- ◆ Optional Mounting Bracket
- ◆ Optional Surge Chamber

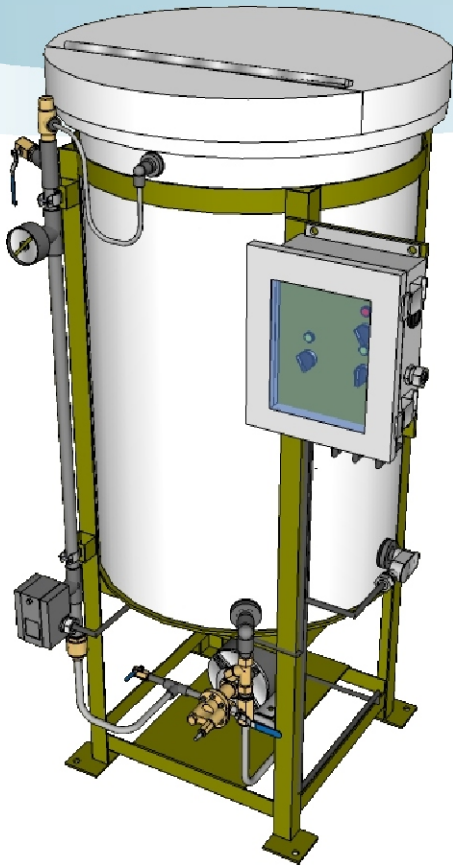


## "GX" Series

### Wall Mount Packages

#### Features:

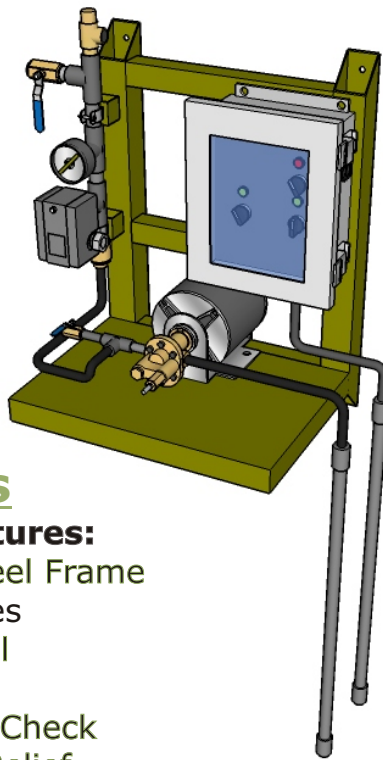
- ◆ Industrial Carbon Steel Frame
- ◆ Lockable NEMA Control Panel
- ◆ Selectable Gear Pump
- ◆ Adjustable Pressure Switch, Check Valve, Adjustable Pressure Relief Valve & Isolation Valve
- ◆ Low Level Switch & Indicator



## "GP-E" Series

### Industrial Packages Features:

- ◆ Industrial Tank & Carbon Steel Frame
- ◆ 15, 30, 55 & 100 Gallon Sizes
- ◆ Lockable NEMA Control Panel
- ◆ Selectable Gear Pump
- ◆ Adjustable Pressure Switch, Check Valve, Adjustable Pressure Relief Valve & Isolation Valve
- ◆ Low Level Switch & Indicator
- ◆ Dual Pump & High Temp Models
- ◆ High Temperature Models



PO Box 8697, Brea, CA 92822-5697 ◆ Phone (714) 257-9165  
113 Viking Ave. Brea, CA 92821 ◆ Fax (714) 257-9215

[www.gtpcompany.com](http://www.gtpcompany.com) ◆ [customerservice@gtpcompany.com](mailto:customerservice@gtpcompany.com)