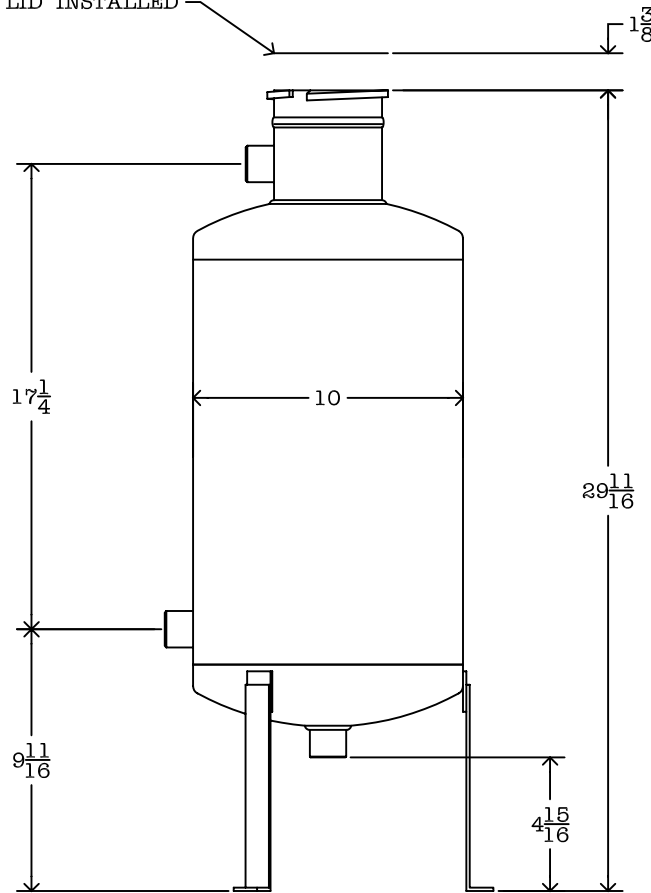


HEIGHT OF FEEDER WITH LID INSTALLED



| 20 | x | x |
|----|------|-------------|
| 19 | x | x |
| 18 | x | x |
| 17 | x | x |
| 16 | x | x |
| 15 | x | x |
| 14 | x | x |
| 13 | x | x |
| 12 | x | x |
| 11 | x | x |
| 10 | x | x |
| 9 | x | x |
| 8 | x | x |
| 7 | x | x |
| 6 | x | x |
| 5 | x | x |
| 4 | x | x |
| 3 | x | x |
| 2 | x | x |
| 1 | x | x |
| # | Part | Description |

GENERAL TREATMENT PRODUCTS
 254 Viking Ave., Brea, CA 92821
 P.O. Box 8697, Brea, CA 92822-5697
 Phone: 714-257-9165 Fax: 714-257-9215
<http://www.gtpcompany.com>
customerservice@gtpcompany.com

Drwn By: **Jim C**
 Date: **01/02/07**
 Appr. By: **x**
 Date: **x**
 Scale: **NTS**
 Rev.: **A**

Related Items:
x

Description:
5GL DOME BOTTOM BYPASS FEEDER
 Drawing:
DB5/QC

4)
 3)
 2)
 1)

Notes:

NOTICE
 This drawing and its contents are for the specific use of GTP customers only. It is not to be duplicated or copied without expressed written consent of General Treatment Products. We reserve the right to modify this drawing without notice.

| A | x | xx/xx/xx |
|----------|-------------|-----------------|
| Rev | Description | Date |