

Specifications:
 Overflow Level System. Designed for 2" NPT port on "Chem-Tainment" Tank U-Basin will detect leaks in containment with float switch wand. Control panel come complete with power cord, indicator lights and 95 decibel audible alarm.

Materials of Construction:
 Polypropylene, PVC and Polyethylene

Voltage:	115 VAC	1 PHS	60 PHS
Max. Temp.:	85	°F	
Max. Press:	N/A	PSI	
Weight:	15	LBS	

12	X	X
11	X	X
10	X	X
9	X	X
8	X	X
7	X	X
6	X	X
5	X	X
4	X	X
3	X	X
2	X	X
1	X	X

#	Part	Description
---	------	-------------



Phone: 714-257-9165
 Fax: 714-257-9215
www.gtpcompany.com

Drwn By: JC	Related Items: X
Date: 12/1/10	
Scale: NTS	
Rev: A	

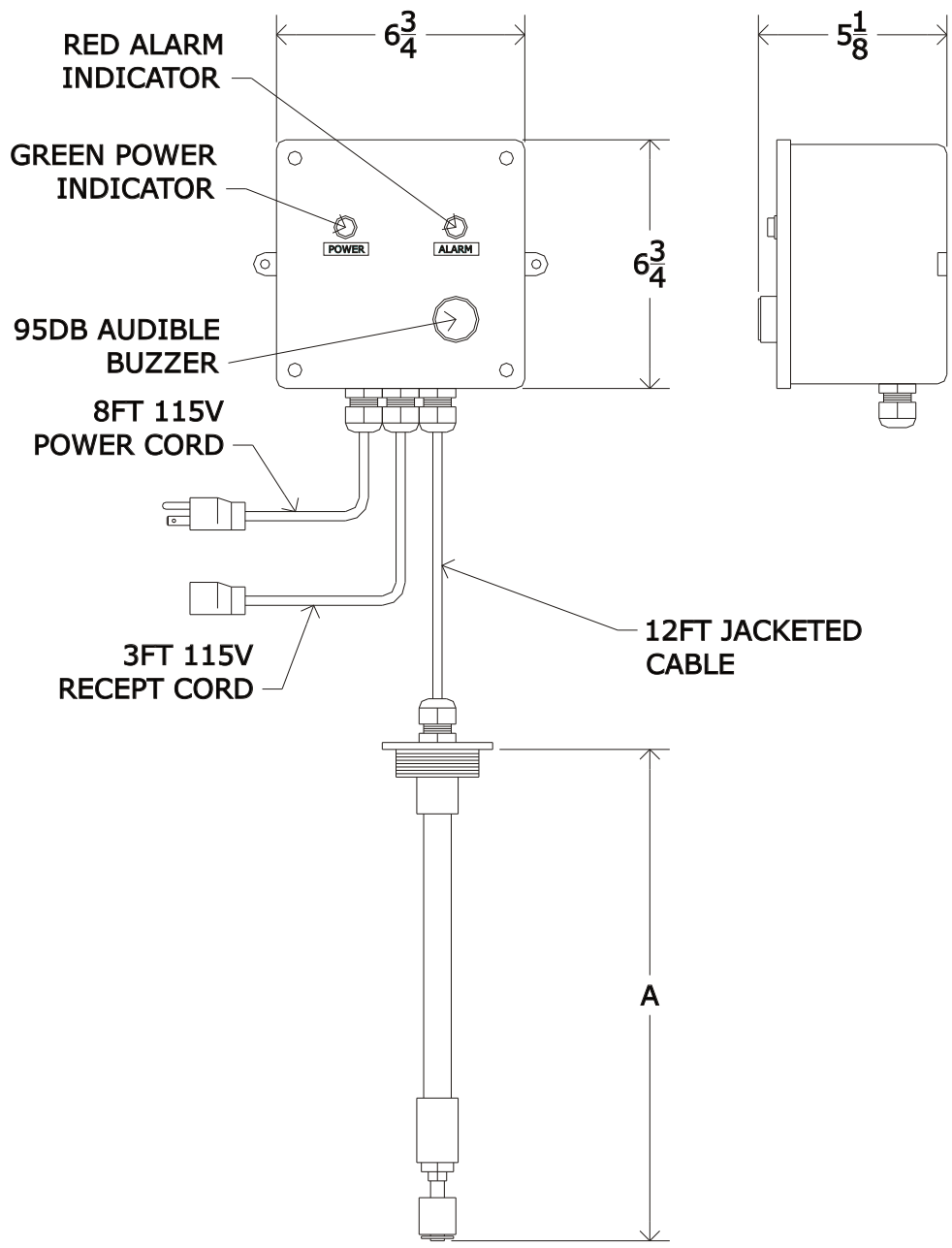
D	X	X
C	X	X
B	X	X
Rev.	Description	Date

Notes:
 1)

Notice
 This drawing and its content are for the specific use of GTP customers only. It is not to be duplicated or copied without expressed written content of General Treatment Products, Inc. We Reserve the right to modify this drawing with out notice.

Description:
 Level System - Overflow

Model:
 LVSO



Specifications:
 Primary Tank Level System. Designed for 2" NPT port on "Chem-Tainment" Tank Primary Tank will detect low level in primary tank with float switch wand. Control panel come complete with power cord, pump control cord, indicator lights and 95 decibel audible alarm.

Materials of Construction:
 Polypropylene, PVC and Polyethylene

Voltage:	115 VAC	1 PHS	60 PHS
Max. Temp.:	85	°F	
Max. Press:	N/A	PSI	
Weight:	15	LBS	

12	X	X
11	X	X
10	X	X
9	X	X
8	X	X
7	X	X
6	X	X
5	X	X
4	X	X
3	X	X
2	X	X
1	X	X

#	Part	Description
---	------	-------------



Phone: 714-257-9165
 Fax: 714-257-9215
www.gtpcompany.com

Drwn By: JC	Related Items: X
Date: 12/1/10	
Scale: NTS	
Rev: A	

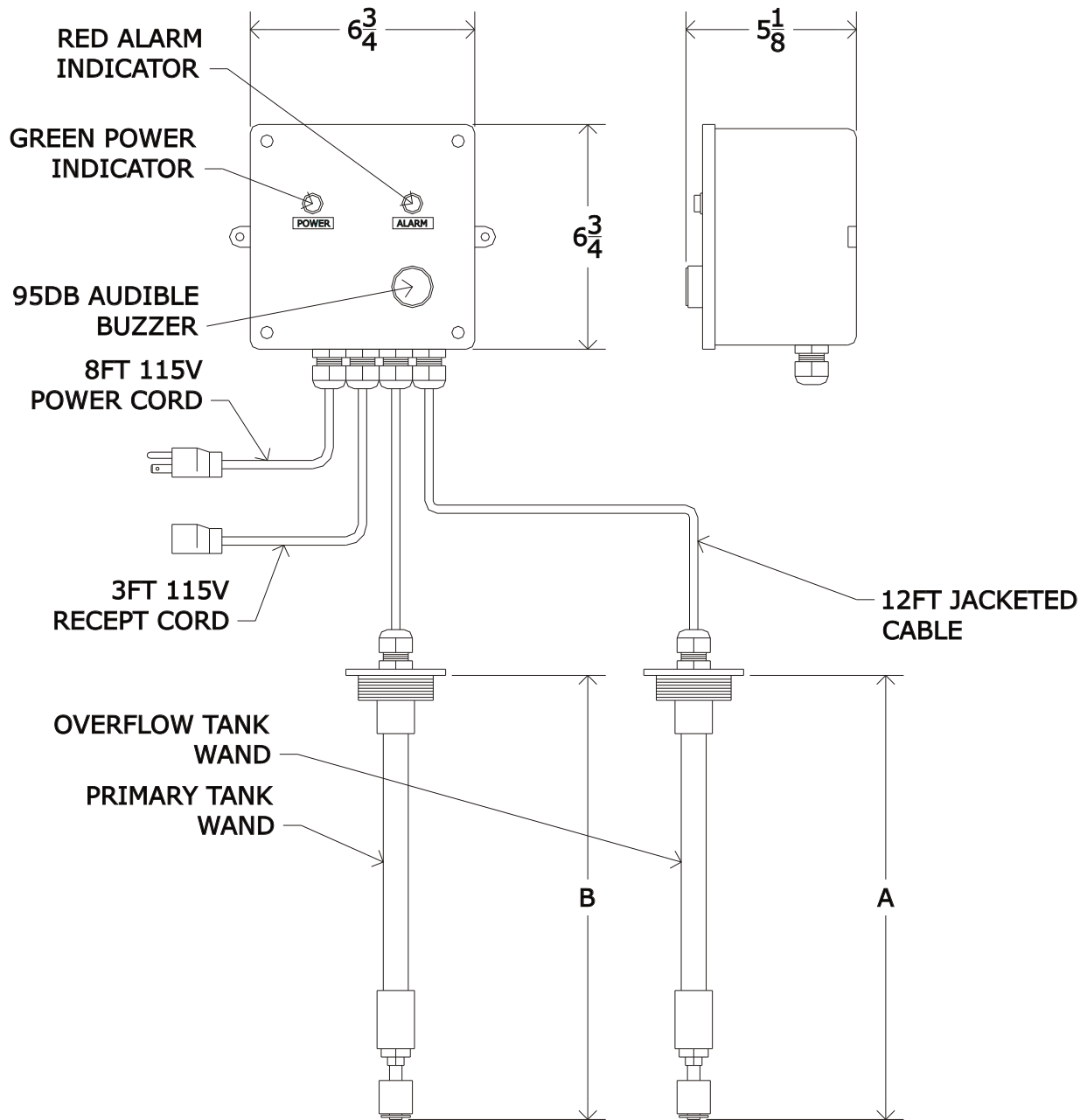
Rev.	Description	Date
D	X	X
C	X	X
B	X	X

Notes:
 1)

Notice
 This drawing and its content are for the specific use of GTP customers only. It is not to be duplicated or copied without expressed written content of General Treatment Products, Inc. We Reserve the right to modify this drawing with out notice.

Description:
 Level System - Primary Tank w/Pump Control

Model:
 LVSP



Specifications:
 Overflow/Primary Tank Level System. Designed for 2" NPT ports on "Chem-Tainment" Tank Primary and Overflow Tank will detect low level in primary tank with float switch wand and detect leaks with overflow float switch. Control panel come complete with power cord, pump control cord, indicator lights and 95 decibel audible alarm.

Materials of Construction:
 Polypropylene, PVC and Polyethylene

Voltage:	115 VAC	1 PHS	60 PHS
Max. Temp.:	85	°F	
Max. Press:	N/A	PSI	
Weight:	20	LBS	

12	X	X
11	X	X
10	X	X
9	X	X
8	X	X
7	X	X
6	X	X
5	X	X
4	X	X
3	X	X
2	X	X
1	X	X

#	Part	Description
---	------	-------------

GTP
 General Treatment Products, Inc.
 Phone: 714-257-9165
 Fax: 714-257-9215
www.gtpcompany.com

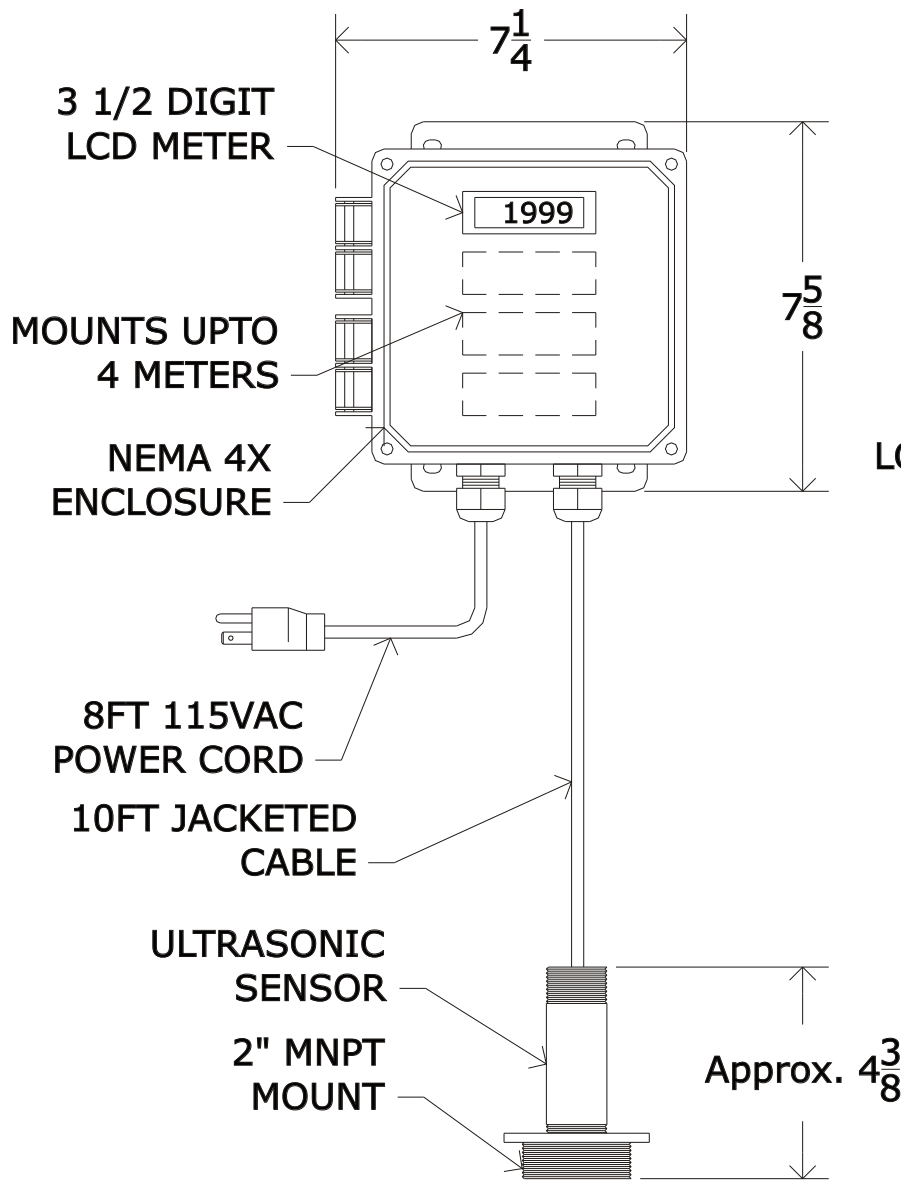
Drwn By: JC	Related Items: X
Date: 12/1/10	
Scale: NTS	
Rev: A	

D	X	X
C	X	X
B	X	X
Rev.	Description	Date

Notes:
 1)

Notice
 This drawing and its content are for the specific use of GTP customers only. It is not to be duplicated or copied without expressed written content of General Treatment Products, Inc. We Reserve the right to modify this drawing with out notice.

Description:
 Level System - Primary/Overflow Tank w/Control
Model:
 LVSS



Specifications:
 Ultrasonic Tank Level System. Designed for 2" NPT port on "Chem-Tainment" Tank Primary Tank or "U-Shaped" Overflow Basin will display continuous level on primary tank or overflow basin. Control panel comes complete with power cord, 3 1/2 digit LCD display, power supply for level sensor and lockable NEMA 4 enclosure.

Materials of Construction:
 PVC and Polyethylene

Voltage:	115 VAC	1 PHS	60 PHS
Max. Temp.:	85	°F	
Max. Press:	N/A	PSI	
Weight:	18	LBS	

12	X	X
11	X	X
10	X	X
9	X	X
8	X	X
7	X	X
6	X	X
5	X	X
4	X	X
3	X	X
2	X	X
1	X	X

#	Part	Description
---	------	-------------

Phone: 714-257-9165
 Fax: 714-257-9215
www.gtpcompany.com

Drwn By: JC	Related Items: X
Date: 12/1/10	
Scale: NTS	
Rev: A	

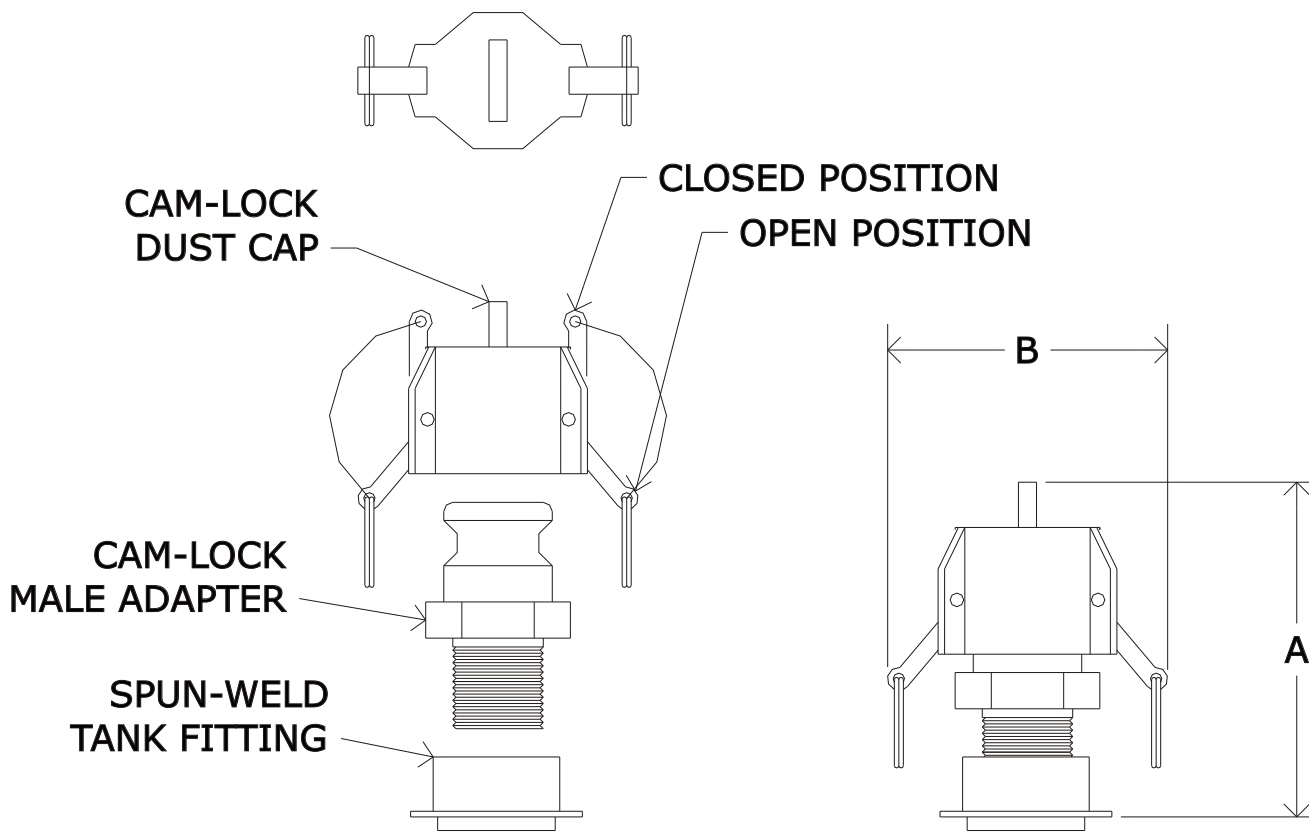
D	X	X
C	X	X
B	X	X
Rev.	Description	Date

Notes:
 1)

Notice
 This drawing and its content are for the specific use of GTP customers only. It is not to be duplicated or copied without expressed written content of General Treatment Products, Inc. We Reserve the right to modify this drawing with out notice.

Description:
 Level System - Ultrasonic Level Display

Model:
 LVUC-1



Specifications:
 Delivery "Cam-Lock" Fitting complete with factory installed spun-weld fitting, "Cam-Lock" male adapter and dust cap.

Materials of Construction:
 Polypropylene and Polyethylene

Voltage:	N/A
Max. Temp.:	85 °F
Max. Press:	N/A PSI
Weight:	15 LBS

12	X	X
11	X	X
10	X	X
9	X	X
8	X	X
7	X	X
6	X	X
5	X	X
4	X	X
3	X	X
2	X	X
1	X	X

#	Part	Description
---	------	-------------


General Treatment Products, Inc.
 Phone: 714-257-9165
 Fax: 714-257-9215
www.gtpcompany.com

Drwn By: JC	Related Items: X
Date: 12/1/10	
Scale: NTS	
Rev: A	

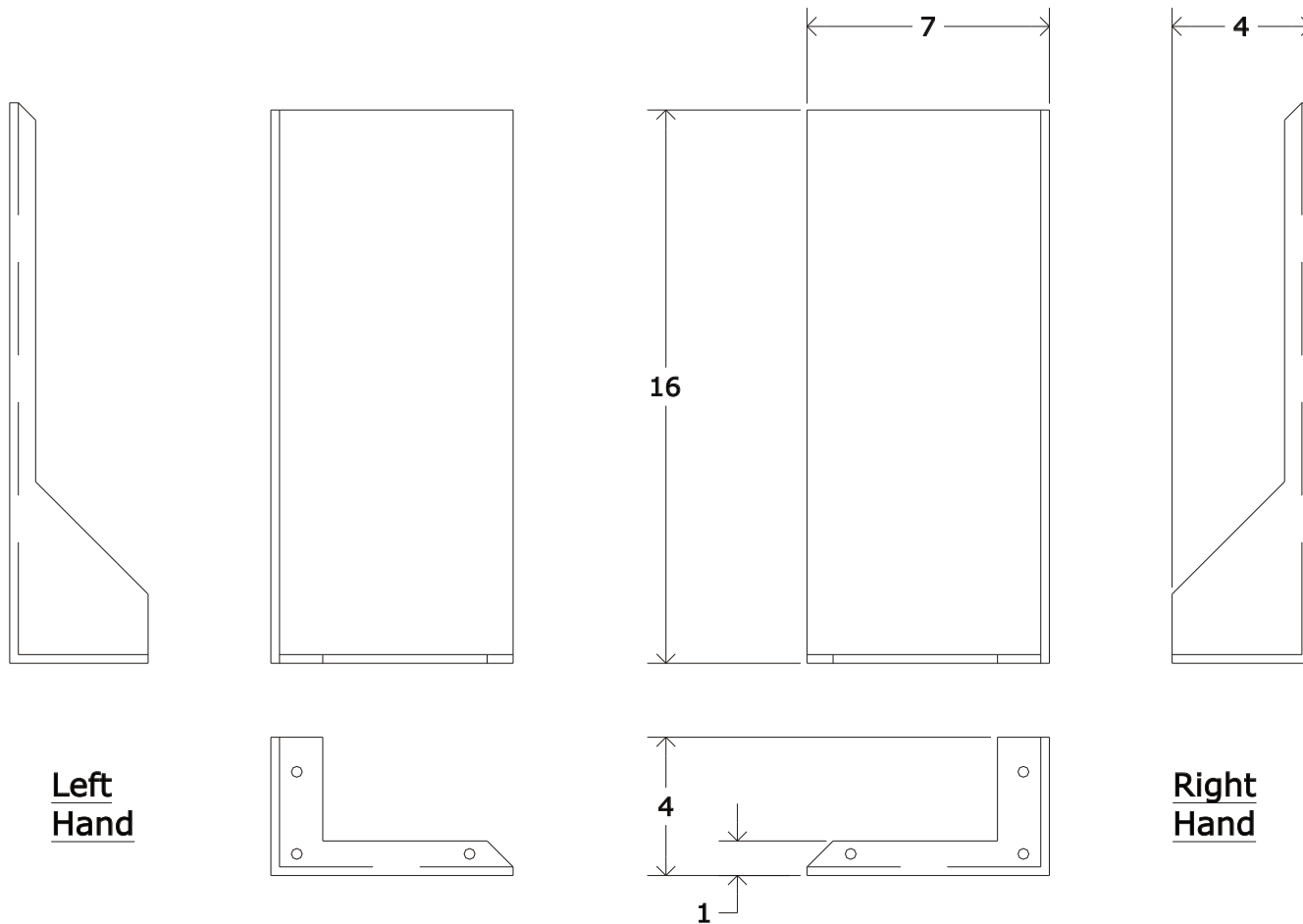
Rev.	Description	Date
D	X	X
C	X	X
B	X	X

Notes:
 1)

Notice
 This drawing and its content are for the specific use of GTP customers only. It is not to be duplicated or copied without expressed written content of General Treatment Products, Inc. We Reserve the right to modify this drawing with out notice.

Description:
 Delivery "cam-Lock" Fitting and Dust Cap

Model:
 DCLxxx



Left Hand

Right Hand

Specifications:

Control Mount Bracket comes complete with stainless steel tank mounting hardware and stainless steel controller mounting hardware. CMB can be factory pre-drilled for controller specified. Designed in "L" Left hand and "R" Right hand mount style.

Materials of Construction:

Polypropylene and 18-8 Stainless Steel

Voltage:	N/A
Max. Temp.:	85 °F
Max. Press:	N/A PSI
Weight:	3 LBS

12	X	X
11	X	X
10	X	X
9	X	X
8	X	X
7	X	X
6	X	X
5	X	X
4	X	X
3	X	X
2	X	X
1	X	X

#	Part	Description
---	------	-------------



Phone: 714-257-9165
 Fax: 714-257-9215
www.gtpcompany.com

Drwn By:	JC
Date:	12/1/10
Scale:	NTS
Rev:	A

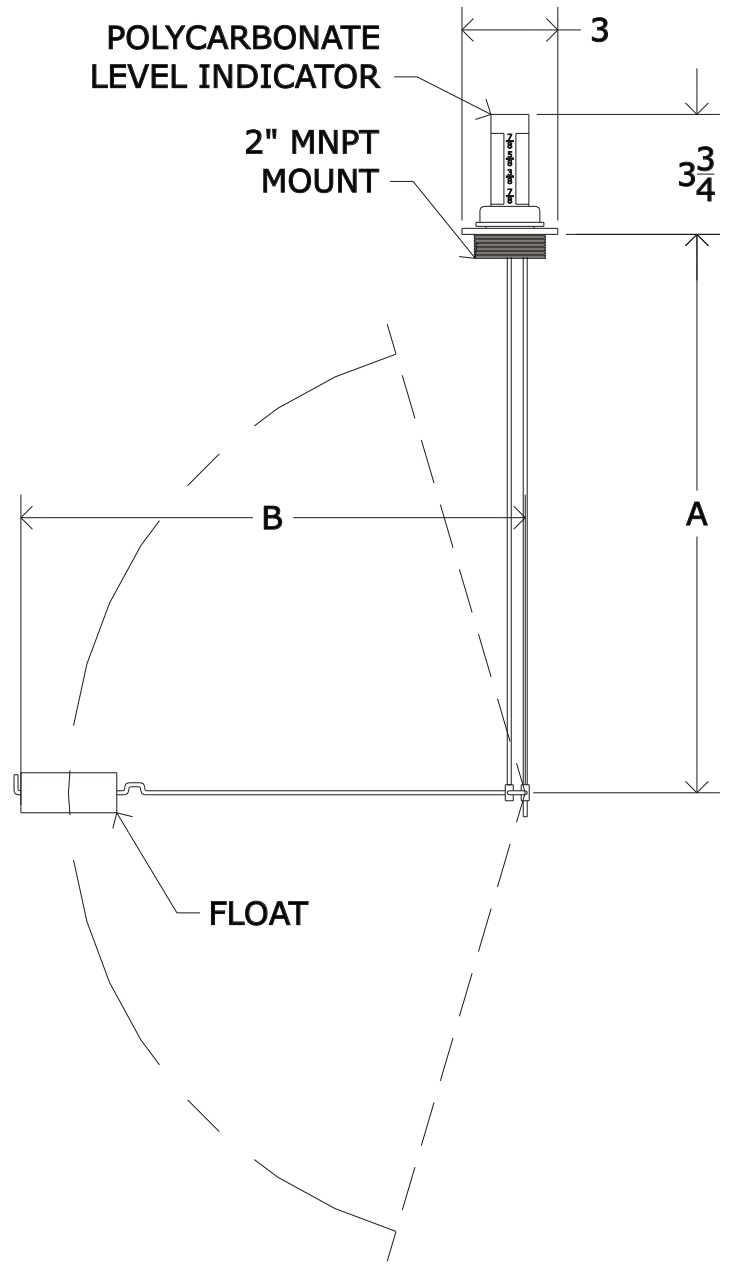
Related Items:	X
-----------------------	---

D	X	X
C	X	X
B	X	X
Rev.	Description	Date

Notes:
 1)

Notice
 This drawing and its content are for the specific use of GTP customers only. It is not to be duplicated or copied without expressed written content of General Treatment Products, Inc. We Reserve the right to modify this drawing with out notice.

Description:
 Control Mount Bracket (Left and Right)
Model:
 CMB-L or CMB-R



Specifications:
 Level Indicators are direct reading level gauge using float and hinge system to display level at 2" MNPT mount at top of tank. Level is displayed in fractional increments.

Materials of Construction:
 STD = Stainless Steel, Polypro, Mount is Carbon Steel
 PVC = All PVC Construction including mount

Voltage:	115 VAC	1 PHS	60 PHS
Max. Temp.:	85	°F	
Max. Press:	N/A	PSI	
Weight:	15	LBS	

12	X	X
11	X	X
10	X	X
9	X	X
8	X	X
7	X	X
6	X	X
5	X	X
4	X	X
3	X	X
2	X	X
1	X	X

#	Part	Description
---	------	-------------


General Treatment Products, Inc.

Phone: 714-257-9165
 Fax: 714-257-9215
www.gtpcompany.com

Drwn By: JC	Related Items: X
Date: 12/1/10	
Scale: NTS	
Rev: A	

D	X	X
C	X	X
B	X	X
Rev.	Description	Date

Notes:
 1)

Notice
 This drawing and its content are for the specific use of GTP customers only. It is not to be duplicated or copied without expressed written content of General Treatment Products, Inc. We Reserve the right to modify this drawing with out notice.

Description:
 Level Indicators (Direct Reading) STD and PVC

Model:
 LI-xx or LI-xx-P

