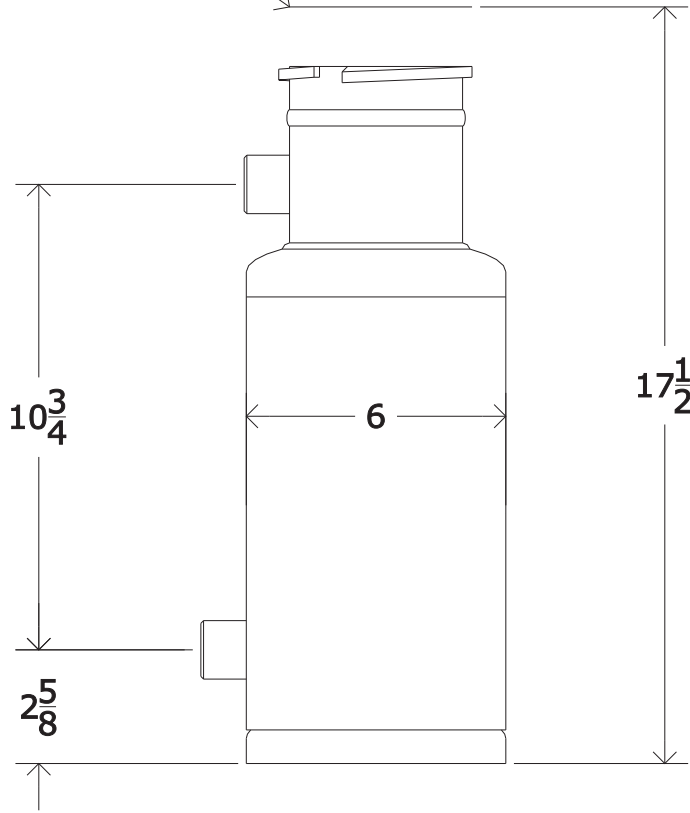
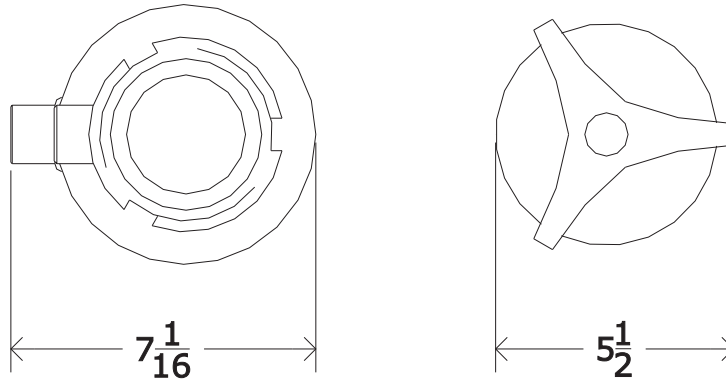


HEIGHT OF FEEDER WITH LID INSTALLED



**Specifications:**

Flat bottom bypass feeder with 1/4 turn quick closure. 3/4" FNPT inlet and outlet.

**Materials of Construction:**

Carbon steel, Cast Iron and Buna-N Seal

<b>Capacity:</b>	1.15	<b>Gallons</b>
<b>Max. Temp.:</b>	200	<b>°F</b>
<b>Max. Press:</b>	200	<b>PSI</b>
<b>Weight:</b>	17	<b>LBS</b>

12	X	X
11	X	X
10	X	X
9	X	X
8	X	X
7	X	X
6	X	X
5	X	X
4	X	X
3	X	X
2	X	X
1	X	X

#	Part	Description
---	------	-------------



Phone: 714-257-9165  
 Fax: 714-257-9215  
[www.gtpcompany.com](http://www.gtpcompany.com)

<b>Drwn By:</b>	JC
<b>Date:</b>	12/1/10
<b>Scale:</b>	NTS
<b>Rev:</b>	A

<b>Related Items:</b>	X
-----------------------	---

Rev.	Description	Date
D	X	X
C	X	X
B	X	X

**Notes:**  
 1)

**Notice**  
 This drawing and its content are for the specific use of GTP customers only. It is not to be duplicated or copied without expressed written content of General Treatment Products, Inc. We Reserve the right to modify this drawing with out notice.

**Description:**  
 1 Gallon Flat Bottom Feeder w/Quick Closure

**Model:**  
 FB 1/QC