

Specifications:
 Flat bottom valve package that includes brass ball valves, unions, tee and nipples to properly install a chemical bypass feeder.

Materials of Construction:
 Brass, Carbon Steel, Cast Iron and Stainless Steel

Voltage: N/A
Max. Temp.: 200 °F
Max. Press: 300 PSI
Weight: 4 LBS

12	X	X
11	X	X
10	X	X
9	X	X
8	X	X
7	X	X
6	X	X
5	X	X
4	X	X
3	X	X
2	X	X
1	X	X

#	Part	Description
---	------	-------------



Phone: 714-257-9165
 Fax: 714-257-9215
www.gtpcompany.com

Drwn By: JC
Date: 12/1/10
Scale: NTS
Rev: A

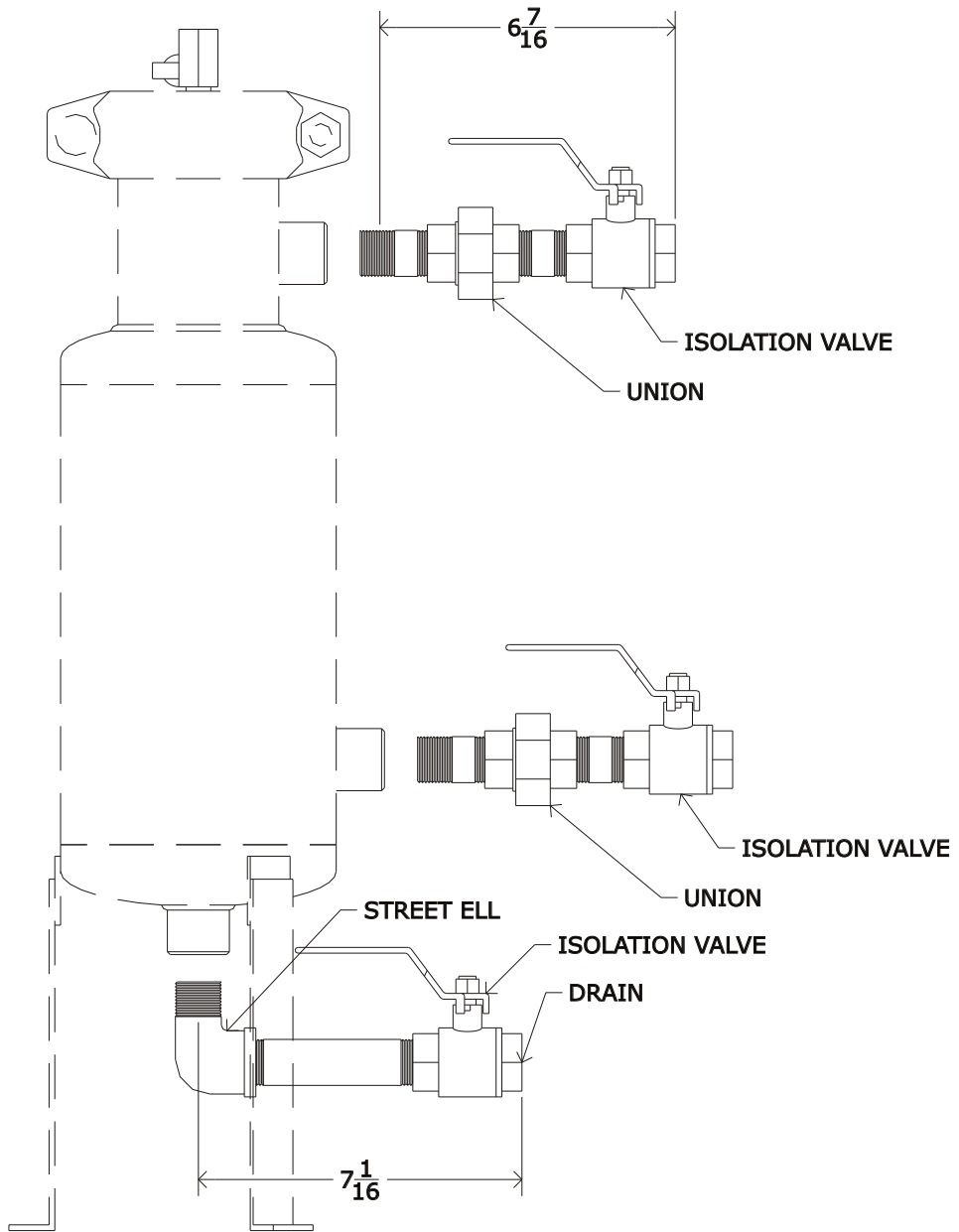
Related Items:
 X

Rev.	Description	Date
D	X	X
C	X	X
B	X	X

Notes:
 1)

Notice
 This drawing and its content are for the specific use of GTP customers only. It is not to be duplicated or copied without expressed written content of General Treatment Products, Inc. We Reserve the right to modify this drawing with out notice.

Description:
 Flat Bottom Valve Package
Model:
 VPFB



Specifications:

Dome bottom valve package that includes brass ball valves, unions, street ell and nipples to properly install a chemical bypass feeder.

Materials of Construction:

Brass, Carbon Steel, Cast Iron and Stainless Steel

Voltage:	N/A
Max. Temp.:	200 °F
Max. Press:	300 PSI
Weight:	5 LBS

12	X	X
11	X	X
10	X	X
9	X	X
8	X	X
7	X	X
6	X	X
5	X	X
4	X	X
3	X	X
2	X	X
1	X	X

#	Part	Description
---	------	-------------



General Treatment Products, Inc.

Phone: 714-257-9165
 Fax: 714-257-9215
www.gtpcompany.com

Drwn By: JC	Related Items: X
Date: 12/1/10	
Scale: NTS	
Rev: A	

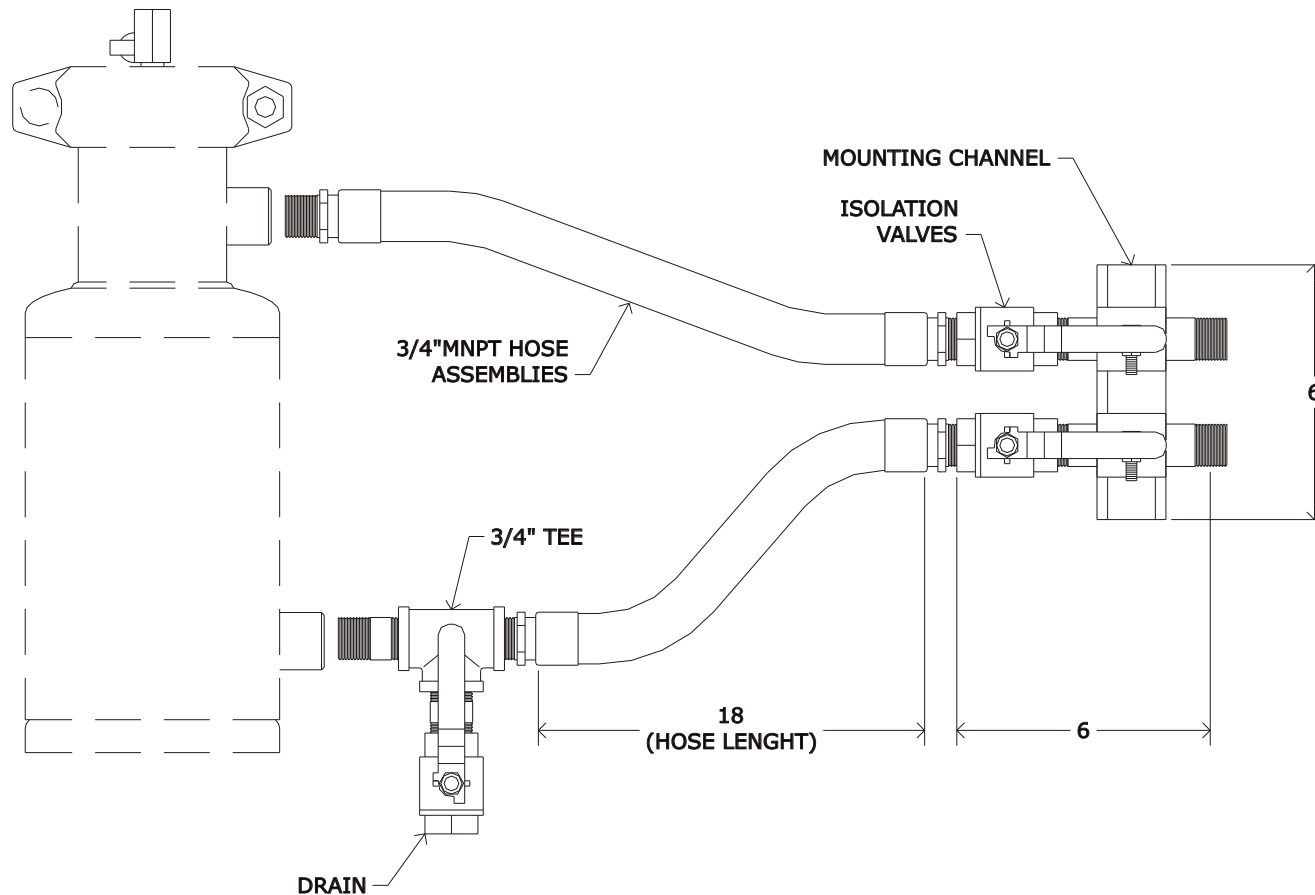
D	X	X
C	X	X
B	X	X
Rev.	Description	Date

Notes:
 1)

Notice
 This drawing and its content are for the specific use of GTP customers only. It is not to be duplicated or copied without expressed written content of General Treatment Products, Inc. We Reserve the right to modify this drawing with out notice.

Description:
 Dome Bottom Valve Package

Model:
 VPDB



Specifications:
 Easy Fit flat bottom valve package that includes brass ball valves, hose assemblies, street ell and nipples to properly install a chemical bypass feeder.

Materials of Construction:
 Brass, Carbon Steel, Cast Iron, EPDM Hose and Stainless Steel

Voltage:	N/A
Max. Temp.:	200 °F
Max. Press:	300 PSI
Weight:	5 LBS

12	X	X
11	X	X
10	X	X
9	X	X
8	X	X
7	X	X
6	X	X
5	X	X
4	X	X
3	X	X
2	X	X
1	X	X

#	Part	Description
---	------	-------------


General Treatment Products, Inc.
 Phone: 714-257-9165
 Fax: 714-257-9215
www.gtpcompany.com

Drwn By: JC	Related Items: X
Date: 2/1/11	
Scale: NTS	
Rev: A	

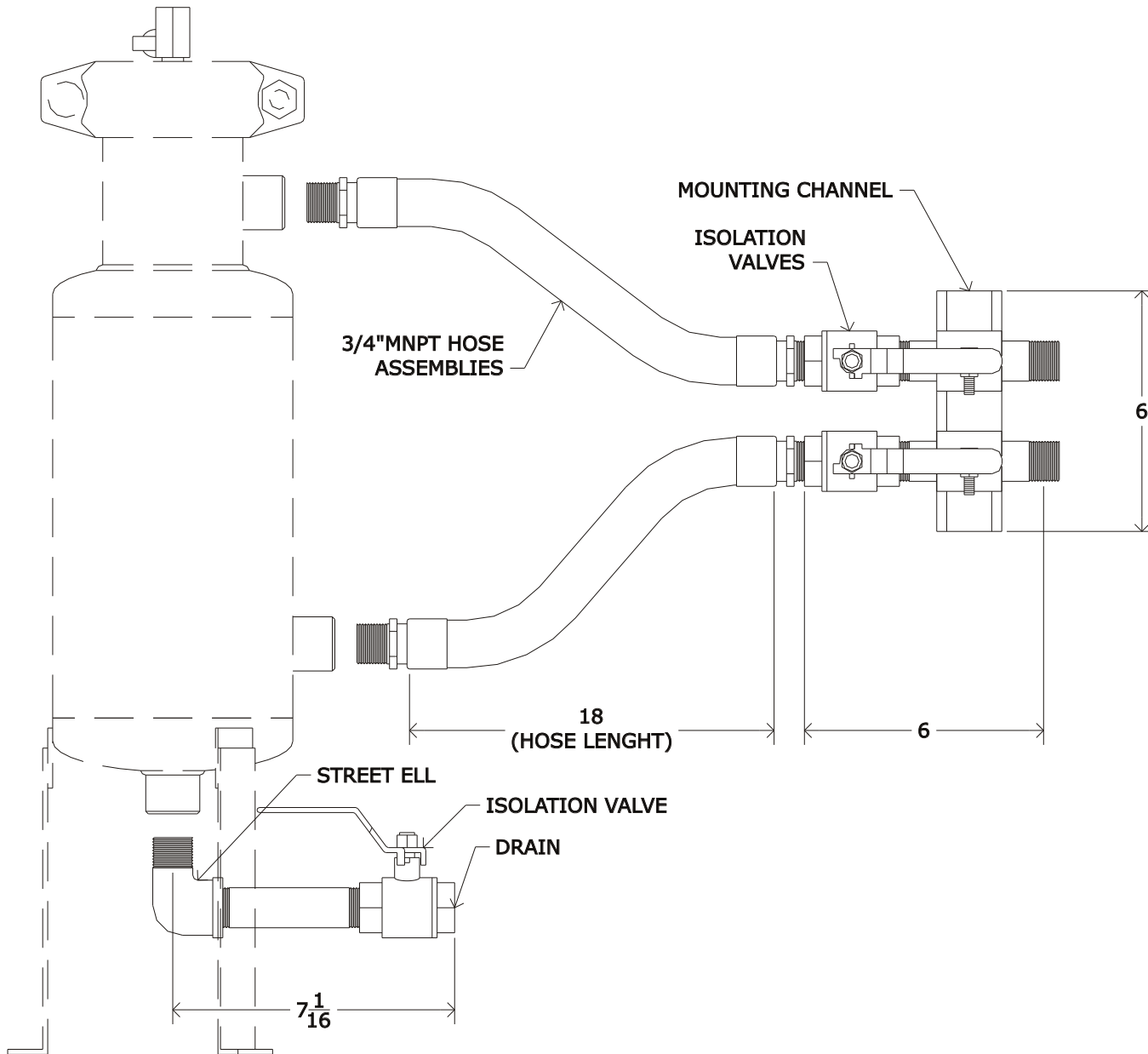
D	X	X
C	X	X
B	X	X
Rev.	Description	Date

Notes:
 1)

Notice
 This drawing and its content are for the specific use of GTP customers only. It is not to be duplicated or copied without expressed written content of General Treatment Products, Inc. We Reserve the right to modify this drawing with out notice.

Description:
 Easy Fit Flat Bottom Valve Package

Model:
 EFFB



Specifications:
 Easy Fit dome bottom valve package that includes brass ball valves, hose assemblies, street ell and nipples to properly install a chemical bypass feeder.

Materials of Construction:
 Brass, Carbon Steel, Cast Iron, EPDM Hose and Stainless Steel

Voltage:	N/A
Max. Temp.:	200 °F
Max. Press:	300 PSI
Weight:	5 LBS

12	X	X
11	X	X
10	X	X
9	X	X
8	X	X
7	X	X
6	X	X
5	X	X
4	X	X
3	X	X
2	X	X
1	X	X

#	Part	Description
---	------	-------------



Phone: 714-257-9165
 Fax: 714-257-9215
www.gtpcompany.com

Drwn By: JC	Related Items: X
Date: 2/1/11	
Scale: NTS	
Rev: A	

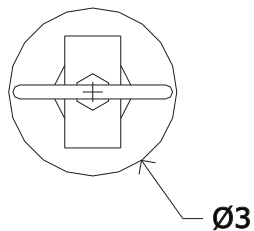
D	X	X
C	X	X
B	X	X
Rev.	Description	Date

Notes:
 1)

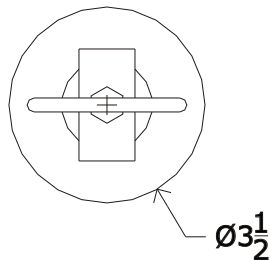
Notice
 This drawing and its content are for the specific use of GTP customers only. It is not to be duplicated or copied without expressed written content of General Treatment Products, Inc. We Reserve the right to modify this drawing with out notice.

Description:
 Easy Fit Dome Bottom Valve Package

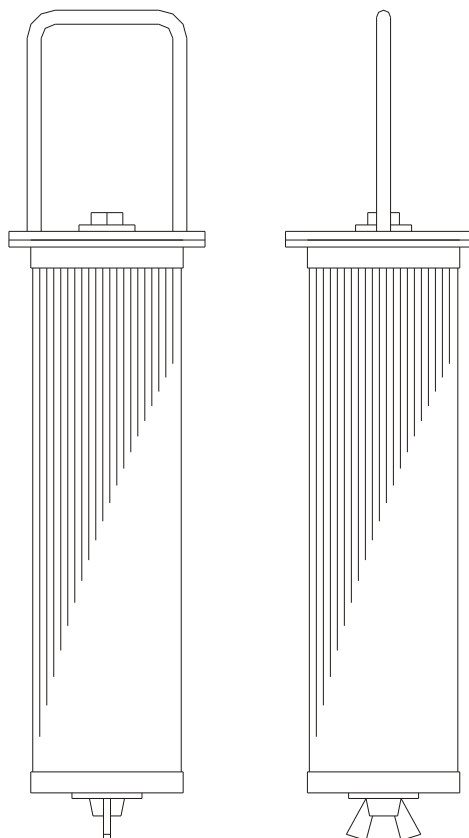
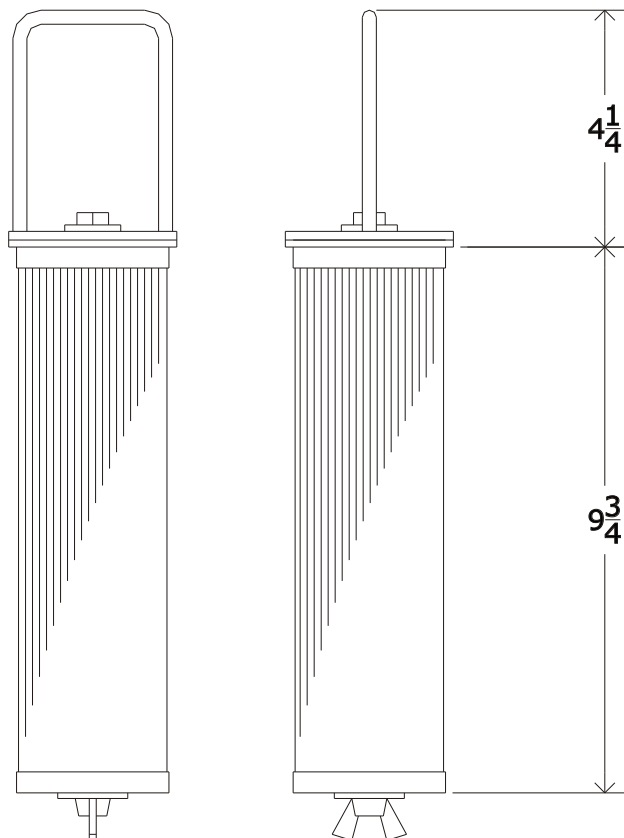
Model:
 EFDB



PF20



PF20/QC



Specifications:

Pleated filter hanger assembly design to remove particles in closed loop system. Filters to be cleaned and reused as part of chemistry scheduled maintenance.

Materials of Construction:

Polypropylene, Buna-N, Stainless Steel and Carbon Steel

Voltage: N/A

Max. Temp.: 180 °F

Max. Press: N/A

Weight: 3 LBS

12	X	X
11	X	X
10	X	X
9	X	X
8	X	X
7	X	X
6	X	X
5	X	X
4	X	X
3	X	X
2	X	X
1	X	X

#	Part	Description
---	------	-------------



Phone: 714-257-9165
 Fax: 714-257-9215
www.gtpcompany.com

Drwn By: JC
Date: 12/1/10
Scale: NTS
Rev: A

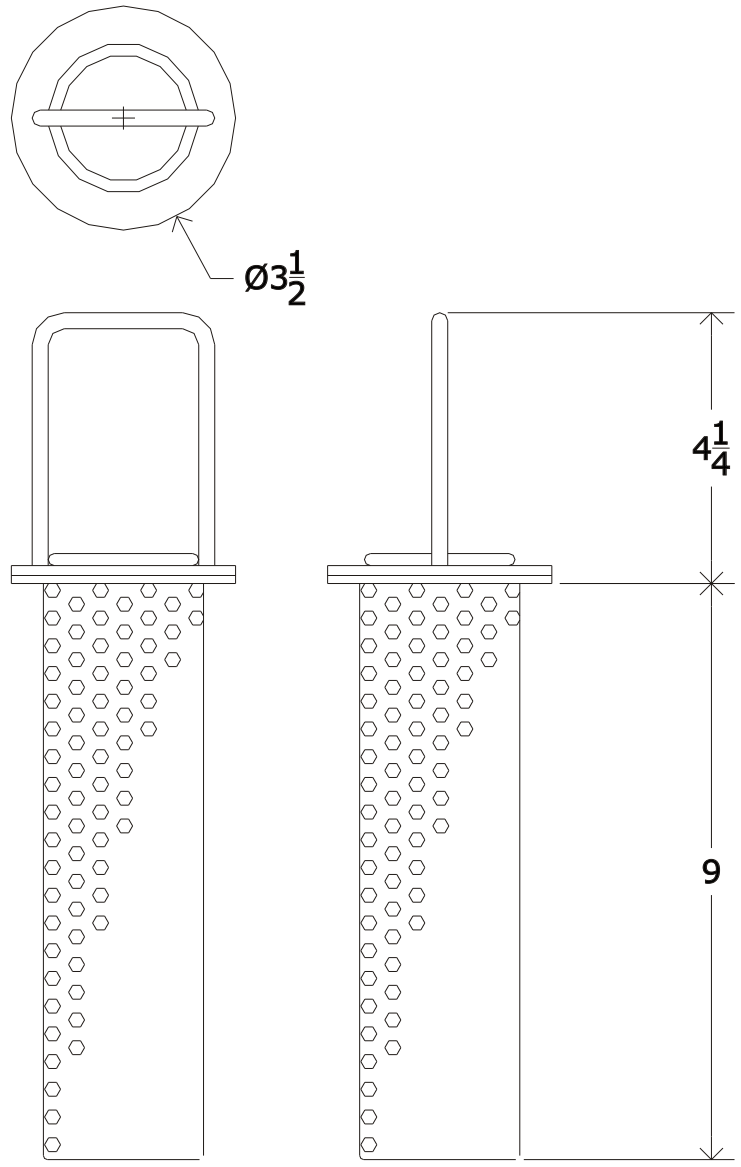
Related Items:
 X

Rev.	Description	Date
D	X	X
C	X	X
B	X	X

Notes:
 1)

Notice
 This drawing and its content are for the specific use of GTP customers only. It is not to be duplicated or copied without expressed written content of General Treatment Products, Inc. We Reserve the right to modify this drawing with out notice.

Description:
 Pleated Filter Hanger Assembly
Model:
 PF



Specifications:
 Reusable 25 Micron sock filter, perforated retaining basket and handle removal tool

Materials of Construction:
 Polypropylene, Stainless Steel and Carbon Steel

Voltage:	N/A
Max. Temp.:	200 °F
Max. Press:	N/A
Weight:	3 LBS

12	X	X
11	X	X
10	X	X
9	X	X
8	X	X
7	X	X
6	X	X
5	X	X
4	X	X
3	X	X
2	X	X
1	X	X

#	Part	Description
---	------	-------------



Phone: 714-257-9165
 Fax: 714-257-9215
www.gtpcompany.com

Drwn By: JC	Related Items: X
Date: 12/1/10	
Scale: NTS	
Rev: A	

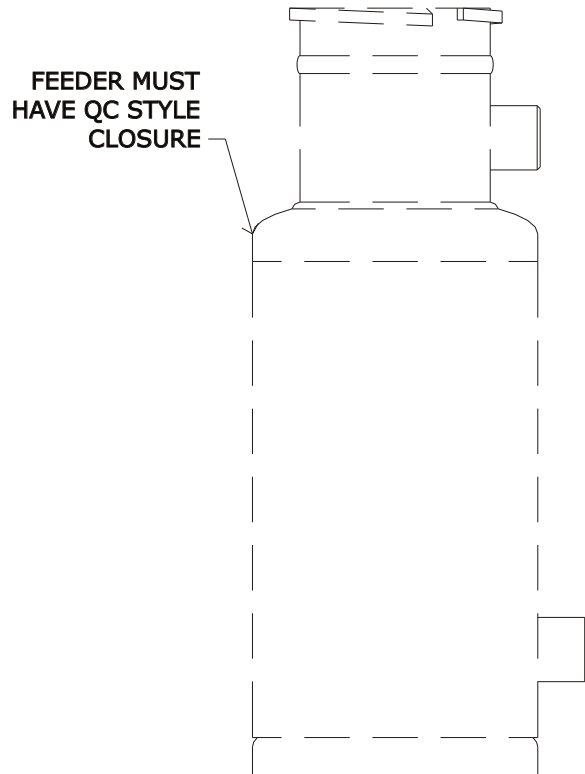
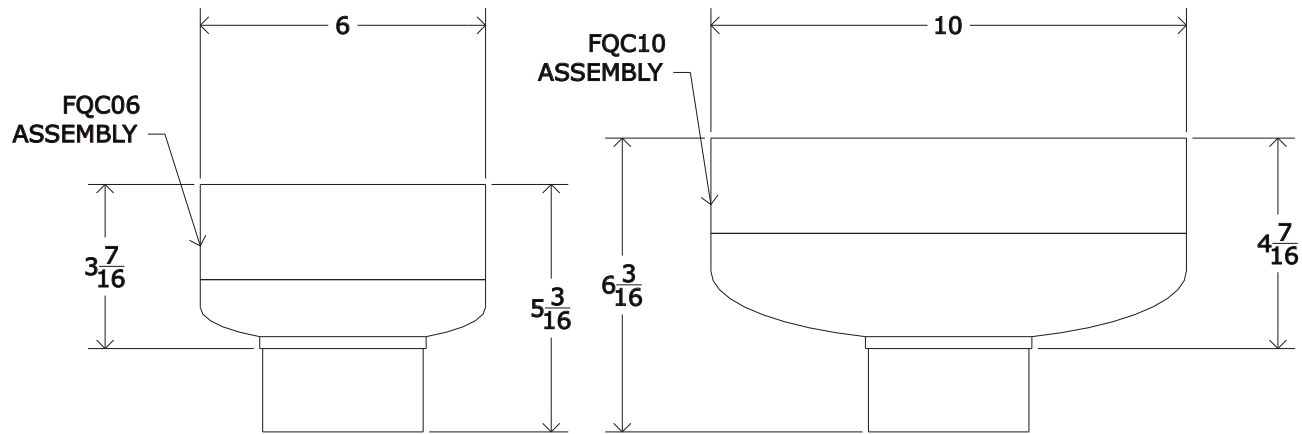
D	X	X
C	X	X
B	X	X
Rev.	Description	Date

Notes:
 1)

Notice
 This drawing and its content are for the specific use of GTP customers only. It is not to be duplicated or copied without expressed written content of General Treatment Products, Inc. We Reserve the right to modify this drawing with out notice.

Description:
 25 Micron Sock Filter

Model:
 Sf25



Specifications:
 High capacity quick closure fill funnel is designed to help introduce scheduled chemistry into feeder with out spilling.

Materials of Construction:
 Carbon Steel

Voltage: N/A

Max. Temp.: 200 °F

Max. Press: N/A

Weight: 8 LBS

12	X	X
11	X	X
10	X	X
9	X	X
8	X	X
7	X	X
6	X	X
5	X	X
4	X	X
3	X	X
2	X	X
1	X	X

#	Part	Description
---	------	-------------



Phone: 714-257-9165
 Fax: 714-257-9215
www.gtpcompany.com

Drwn By: JC
Date: 12/1/10
Scale: NTS
Rev: A

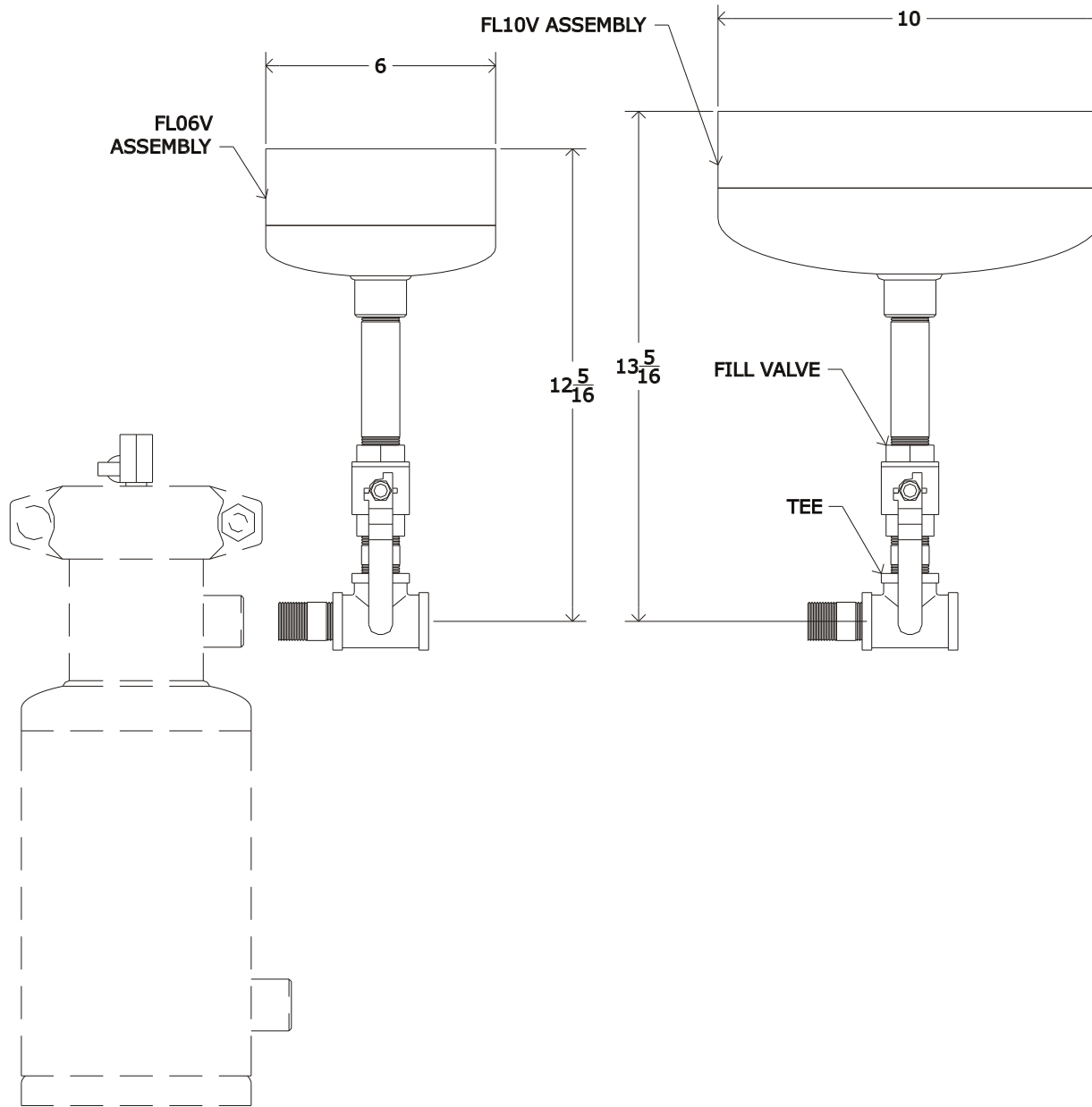
Related Items:
 X

Rev.	Description	Date
D	X	X
C	X	X
B	X	X

Notes:
 1)

Notice
 This drawing and its content are for the specific use of GTP customers only. It is not to be duplicated or copied without expressed written content of General Treatment Products, Inc. We Reserve the right to modify this drawing with out notice.

Description:
 High Capacity Quick Closure Fill Funnel
Model:
 FQC06 & FQC10



Specifications:
 High Capacity fill funnel and valve assembly is designed to help introduce scheduled chemistry into feeder with out spilling.

Materials of Construction:
 Carbon steel, Brass and Stainless Steel

Voltage:	N/A
Max. Temp.:	200 °F
Max. Press:	300 PSI
Weight:	8 LBS

12	X	X
11	X	X
10	X	X
9	X	X
8	X	X
7	X	X
6	X	X
5	X	X
4	X	X
3	X	X
2	X	X
1	X	X

#	Part	Description
---	------	-------------


Phone: 714-257-9165
Fax: 714-257-9215
www.gtpcompany.com
 General Treatment Products, Inc.

Drwn By: JC	Related Items: X
Date: 12/1/10	
Scale: NTS	
Rev: A	

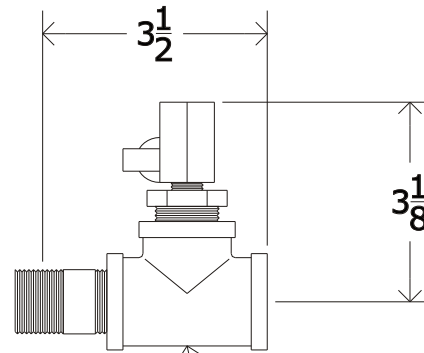
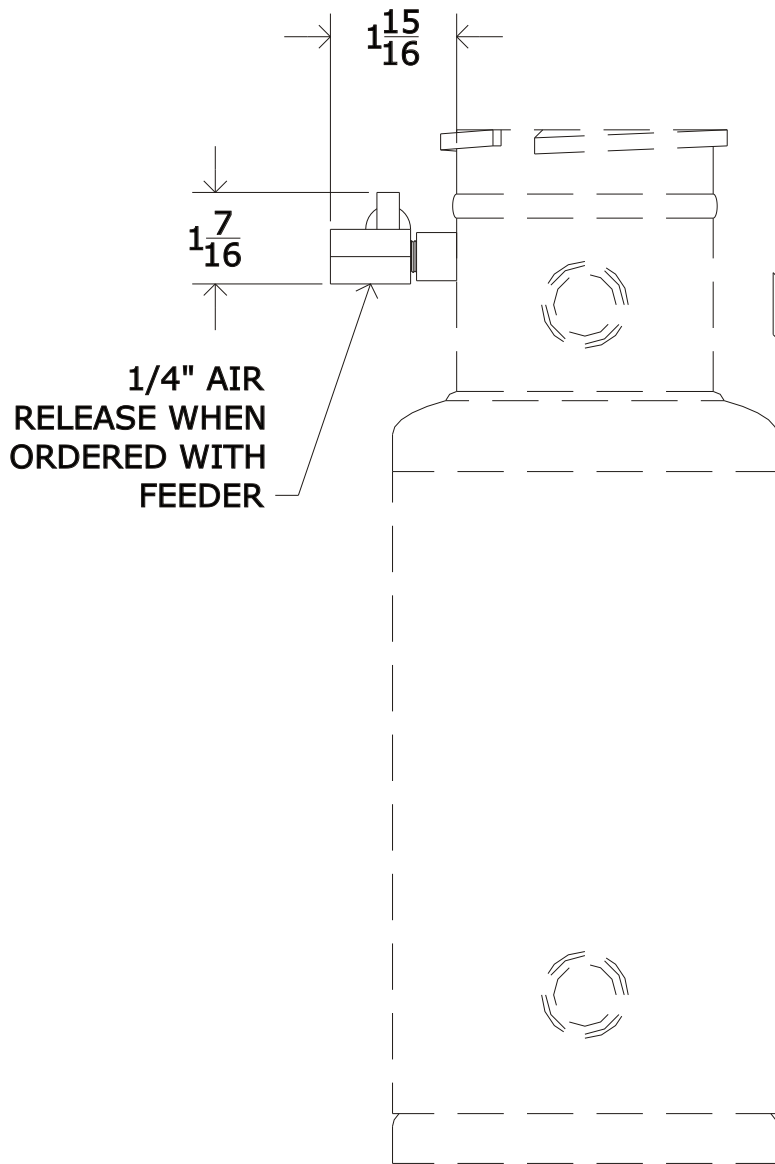
Rev.	Description	Date
D	X	X
C	X	X
B	X	X

Notes:
 1)

Notice
 This drawing and its content are for the specific use of GTP customers only. It is not to be duplicated or copied without expressed written content of General Treatment Products, Inc. We Reserve the right to modify this drawing with out notice.

Description:
 High Capacity Fill Funnel and Valve

Model:
 FL06V & FL10V



Specifications:

Air release valve and merchant coupling when ordered with feeder or air release valve and installation tee when ordered as an accessory.

Materials of Construction:

Brass and Carbon Steel

Voltage: N/A

Max. Temp.: 200 °F

Max. Press: 300 PSI

Weight: 2 LBS

12	X	X
11	X	X
10	X	X
9	X	X
8	X	X
7	X	X
6	X	X
5	X	X
4	X	X
3	X	X
2	X	X
1	X	X

#	Part	Description
---	------	-------------



Phone: 714-257-9165
 Fax: 714-257-9215
www.gtpcompany.com

Drwn By: JC
Date: 12/1/10
Scale: NTS
Rev: A

Related Items:

X

D	X	X
C	X	X
B	X	X
Rev.	Description	Date

Notes:

1)

Notice

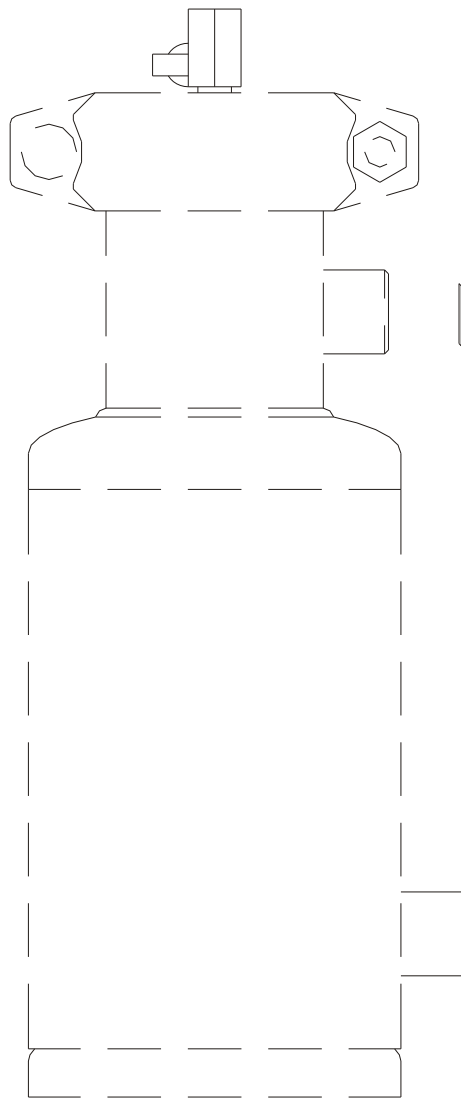
This drawing and its content are for the specific use of GTP customers only. It is not to be duplicated or copied without expressed written content of General Treatment Products, Inc. We Reserve the right to modify this drawing with out notice.

Description:

Air Release Valve

Model:

AR



Specifications:

Pressure gauge and installation tee designed to display internal pressure of feeder vessel. Installed for safety, pressure must be relieved before servicing feeder.

Materials of Construction:

Carbon Steel and Brass

Voltage: N/A

Max. Temp.: 200 °F

Max. Press: 300 PSI

Weight: 2 LBS

12	X	X
11	X	X
10	X	X
9	X	X
8	X	X
7	X	X
6	X	X
5	X	X
4	X	X
3	X	X
2	X	X
1	X	X

#	Part	Description
---	------	-------------



Phone: 714-257-9165
 Fax: 714-257-9215
www.gtpcompany.com

Drwn By: JC
Date: 12/1/10
Scale: NTS
Rev: A

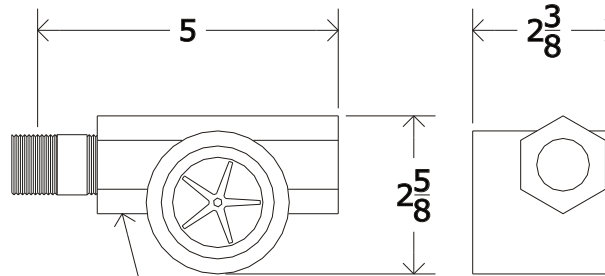
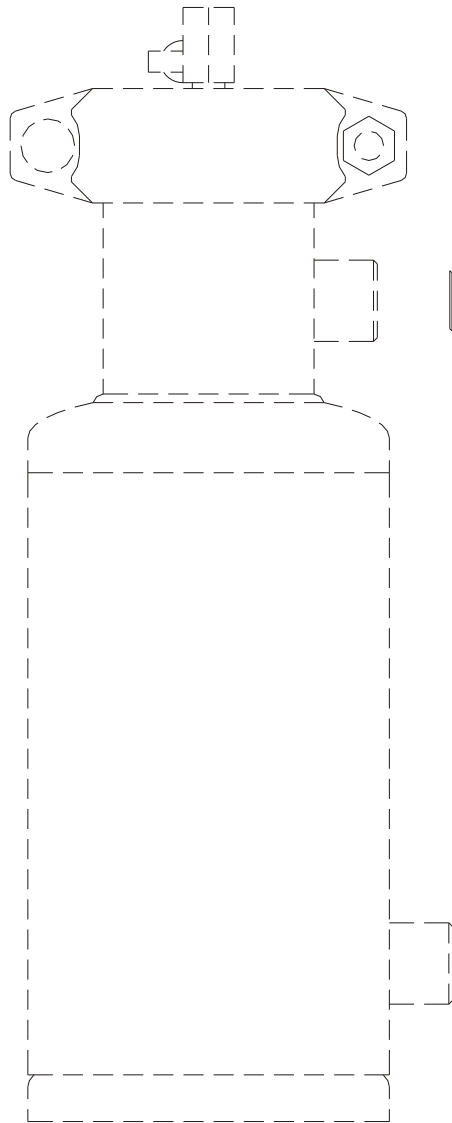
Related Items:
 X

Rev.	Description	Date
D	X	X
C	X	X
B	X	X

Notes:
 1)

Notice
 This drawing and its content are for the specific use of GTP customers only. It is not to be duplicated or copied without expressed written content of General Treatment Products, Inc. We Reserve the right to modify this drawing with out notice.

Description:
 300 PSI Pressure Gauge and Tee
Model:
 Pg300



BRASS SIGHT FLOW INDICATOR

Specifications:
 Rotary vaned sight flow indicator displays flow with a spinning wheel displayed through polycarbonate single window.

Materials of Construction:
 Brass, Carbon Steel and Polycarbonate

Voltage:	N/A
Max. Temp.:	200 °F
Max. Press:	125 PSI
Weight:	3 LBS

12	X	X
11	X	X
10	X	X
9	X	X
8	X	X
7	X	X
6	X	X
5	X	X
4	X	X
3	X	X
2	X	X
1	X	X

#	Part	Description
---	------	-------------


General Treatment Products, Inc.
 Phone: 714-257-9165
 Fax: 714-257-9215
www.gtpcompany.com

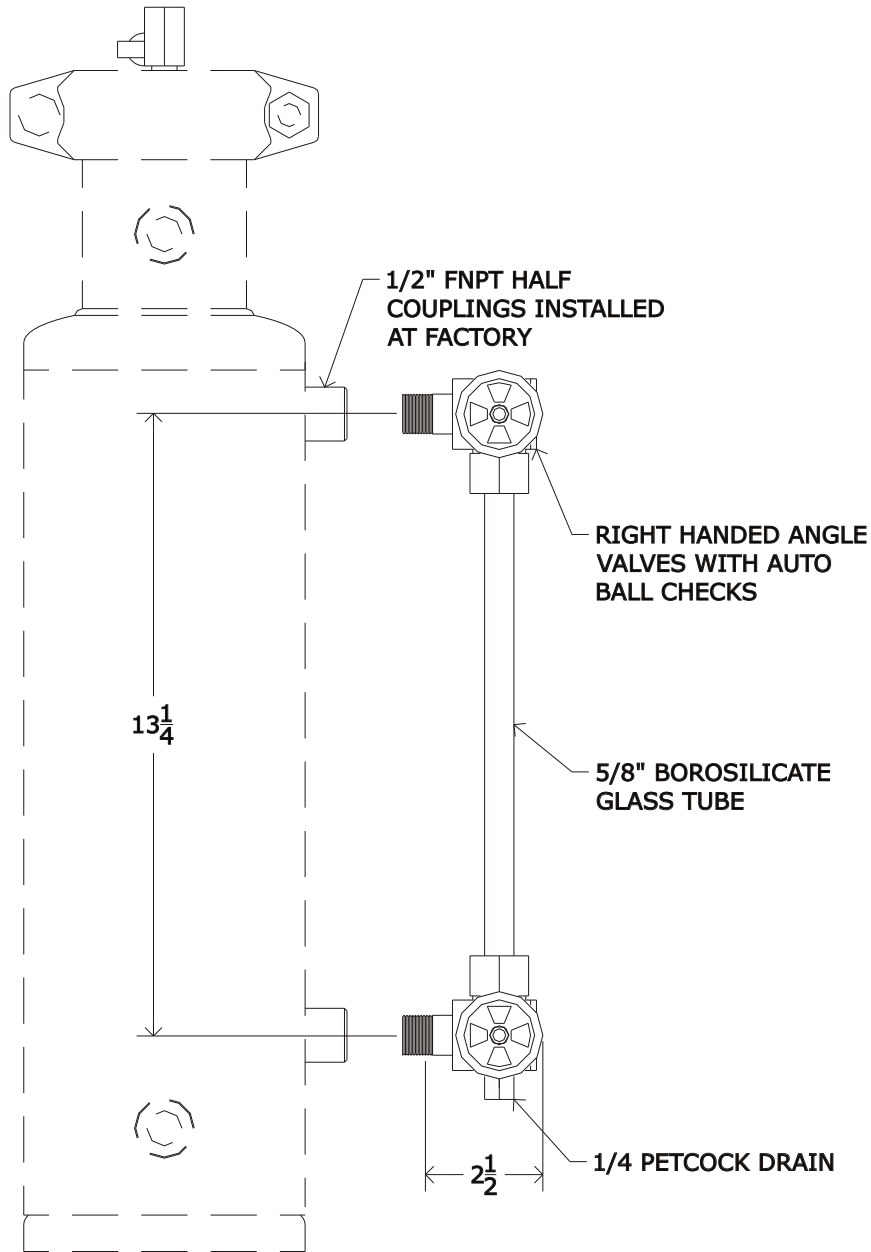
Drwn By: JC	Related Items: X
Date: 12/1/10	
Scale: NTS	
Rev: A	

Rev.	Description	Date
D	X	X
C	X	X
B	X	X

Notes:
 1)

Notice
 This drawing and its content are for the specific use of GTP customers only. It is not to be duplicated or copied without expressed written content of General Treatment Products, Inc. We Reserve the right to modify this drawing with out notice.

Description:
 125PSI Sight Flow Indicator
Model:
 SFI125



Specifications:
 1/2" MNPT sight level indicator with right hand valves, 5/8" borosilicate glass and auto shut off ball checks.

Materials of Construction:
 Brass, borosilicate glass

Voltage: N/A
STD Press: 205PSI @ 70F
Max. Press: 125PSI @ 400F
Weight: 3 LBS

12	X	X
11	X	X
10	X	X
9	X	X
8	X	X
7	X	X
6	X	X
5	X	X
4	X	X
3	X	X
2	X	X
1	X	X

#	Part	Description
---	------	-------------


Phone: 714-257-9165
Fax: 714-257-9215
www.gtpcompany.com
 General Treatment Products, Inc.

Drwn By: JC
Date: 12/1/10
Scale: NTS
Rev: A

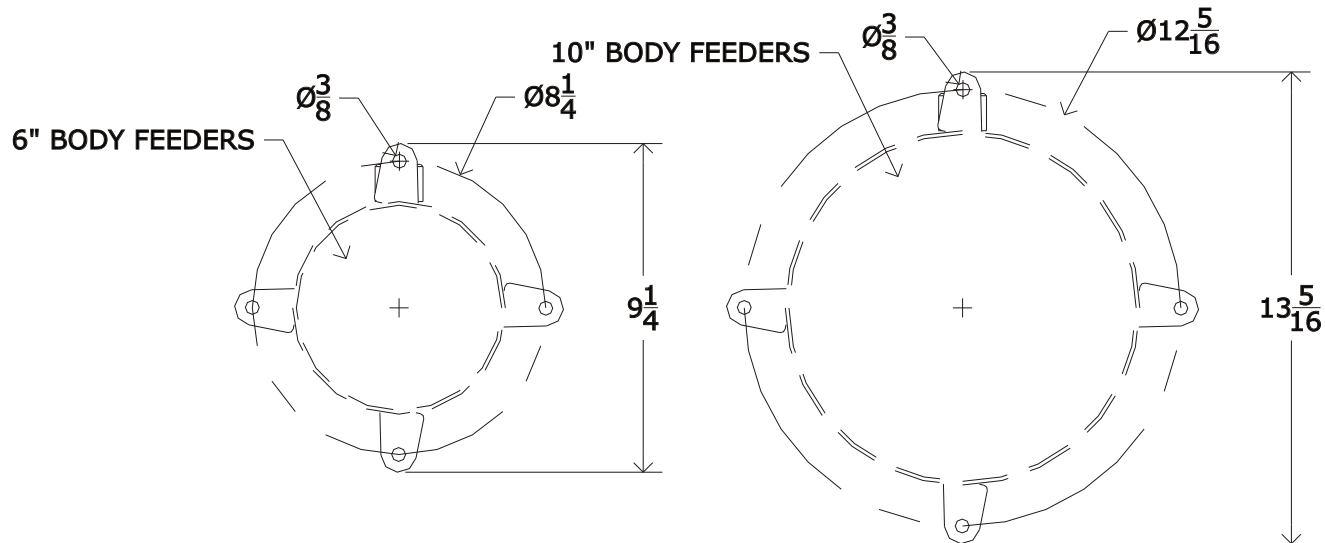
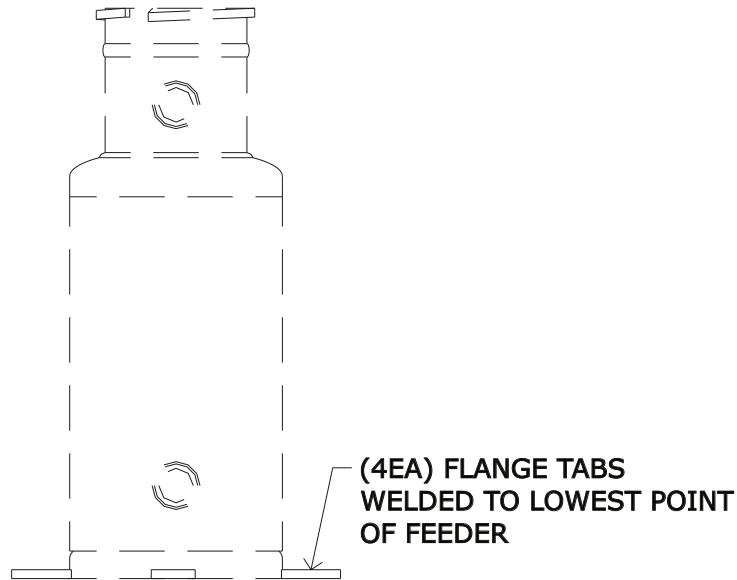
Related Items:
 X

Rev.	Description	Date
D	X	X
C	X	X
B	X	X

Notes:
 1)

Notice
 This drawing and its content are for the specific use of GTP customers only. It is not to be duplicated or copied without expressed written content of General Treatment Products, Inc. We Reserve the right to modify this drawing with out notice.

Description:
 Sight Level Indicator
Model:
 S125



Specifications:
Welded tabs at base of feeder to anchor feeder securely to the base or floor.

Materials of Construction:
Carbon Steel

Voltage: N/A
Max. Temp.: N/A
Max. Press: N/A
Weight: 2 LBS

12	X	X
11	X	X
10	X	X
9	X	X
8	X	X
7	X	X
6	X	X
5	X	X
4	X	X
3	X	X
2	X	X
1	X	X

#	Part	Description
---	------	-------------



Phone: 714-257-9165
Fax: 714-257-9215
www.gtpcompany.com

Drwn By: JC
Date: 12/1/10
Scale: NTS
Rev: A

Related Items:
X

Rev.	Description	Date
D	X	X
C	X	X
B	X	X

Notes:
1)

Notice
This drawing and its content are for the specific use of GTP customers only. It is not to be duplicated or copied without expressed written content of General Treatment Products, Inc. We Reserve the right to modify this drawing with out notice.

Description:
Welded Floor Tabs
Model:
TABS