

**Dimensions:**

X	X	X	X	X	X	X	X	X
X	X	X	X	X	X	X	X	X
X	X	X	X	X	X	X	X	X
X	X	X	X	X	X	X	X	X
X	X	X	X	X	X	X	X	X
X	X	X	X	X	X	X	X	X
X	X	X	X	X	X	X	X	X
X	X	X	X	X	X	X	X	X

MH-B-0066	4	4.4	6.6	32	3	1.4	X	2.5
MH-B-0033	3.4	3	5.7	28	2	1.4	X	1.1
MH-B-0020	3.4	2.9	5.6	22	1.9	X	X	1.0
MH-B-0014	3.4	2.4	5	16	1.9	X	X	0.7
<b>Model</b>	<b>A</b>	<b>B</b>	<b>C</b>	<b>D</b>	<b>E</b>	<b>F</b>	<b>G</b>	<b>FLA</b>

**Materials of Construction:**

Brass, Stainless Steel, Carbon Steel

**Voltage:** 115 VAC 1 PHS 60 PHS

**Max. Temp.:** 85 °F

**Max. Press:** N/A PSI

**Weight:** 11 LBS

<b>12</b>	X	X
<b>11</b>	X	X
<b>10</b>	X	X
<b>9</b>	X	X
<b>8</b>	X	X
<b>7</b>	X	X
<b>6</b>	X	X
<b>5</b>	X	X
<b>4</b>	X	X
<b>3</b>	X	X
<b>2</b>	X	X
<b>1</b>	X	X

#	Part	Description
---	------	-------------



Phone: 714-257-9165  
 Fax: 714-257-9215  
[www.gtpcompany.com](http://www.gtpcompany.com)

**Drwn By:** JC  
**Date:** 12/1/10  
**Scale:** NTS  
**Rev:** A

**Related Items:**  
 X

<b>D</b>	X	X
<b>C</b>	X	X
<b>B</b>	X	X
<b>Rev.</b>	<b>Description</b>	<b>Date</b>

**Notes:**

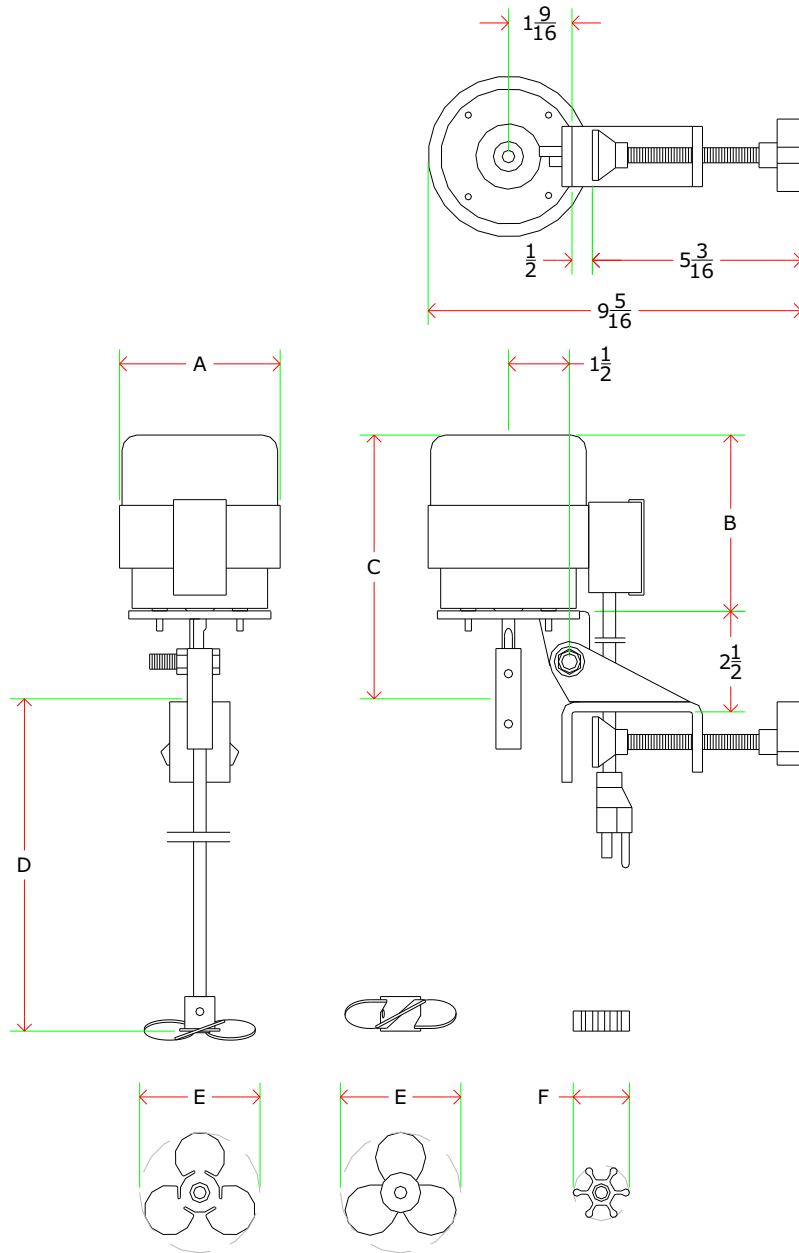
1)

**Notice**

This drawing and its content are for the specific use of GTP customers only. It is not to be duplicated or copied without expressed written content of General Treatment Products, Inc. We Reserve the right to modify this drawing with out notice.

**Description:**  
 Bracket Mount Mixer

**Model:**  
 MH-B-xxxx



**Dimensions:**

X	X	X	X	X	X	X	X	X
X	X	X	X	X	X	X	X	X
X	X	X	X	X	X	X	X	X
X	X	X	X	X	X	X	X	X
X	X	X	X	X	X	X	X	X
X	X	X	X	X	X	X	X	X
X	X	X	X	X	X	X	X	X
X	X	X	X	X	X	X	X	X
X	X	X	X	X	X	X	X	X
X	X	X	X	X	X	X	X	X

MH-C-0066	4	4.4	6.6	32	3	1.4	X	2.5
MH-C-0033	3.4	3	5.7	28	2	1.4	X	1.1
MH-C-0020	3.4	2.9	5.6	22	1.9	X	X	1.0
MH-C-0014	3.4	2.4	5	16	1.9	X	X	0.7

Model	A	B	C	D	E	F	G	FLA
-------	---	---	---	---	---	---	---	-----

**Materials of Construction:**

Brass, Stainless Steel, Carbon Steel

**Voltage:** 115 VAC 1 PHS 60 PHS

**Max. Temp.:** 85 °F

**Max. Press:** N/A PSI

**Weight:** 11 LBS

12	X	X
11	X	X
10	X	X
9	X	X
8	X	X
7	X	X
6	X	X
5	X	X
4	X	X
3	X	X
2	X	X
1	X	X

#	Part	Description
---	------	-------------



Phone: 714-257-9165  
 Fax: 714-257-9215  
[www.gtpcompany.com](http://www.gtpcompany.com)

**Drwn By:** JC  
**Date:** 12/1/10  
**Scale:** NTS  
**Rev:** A

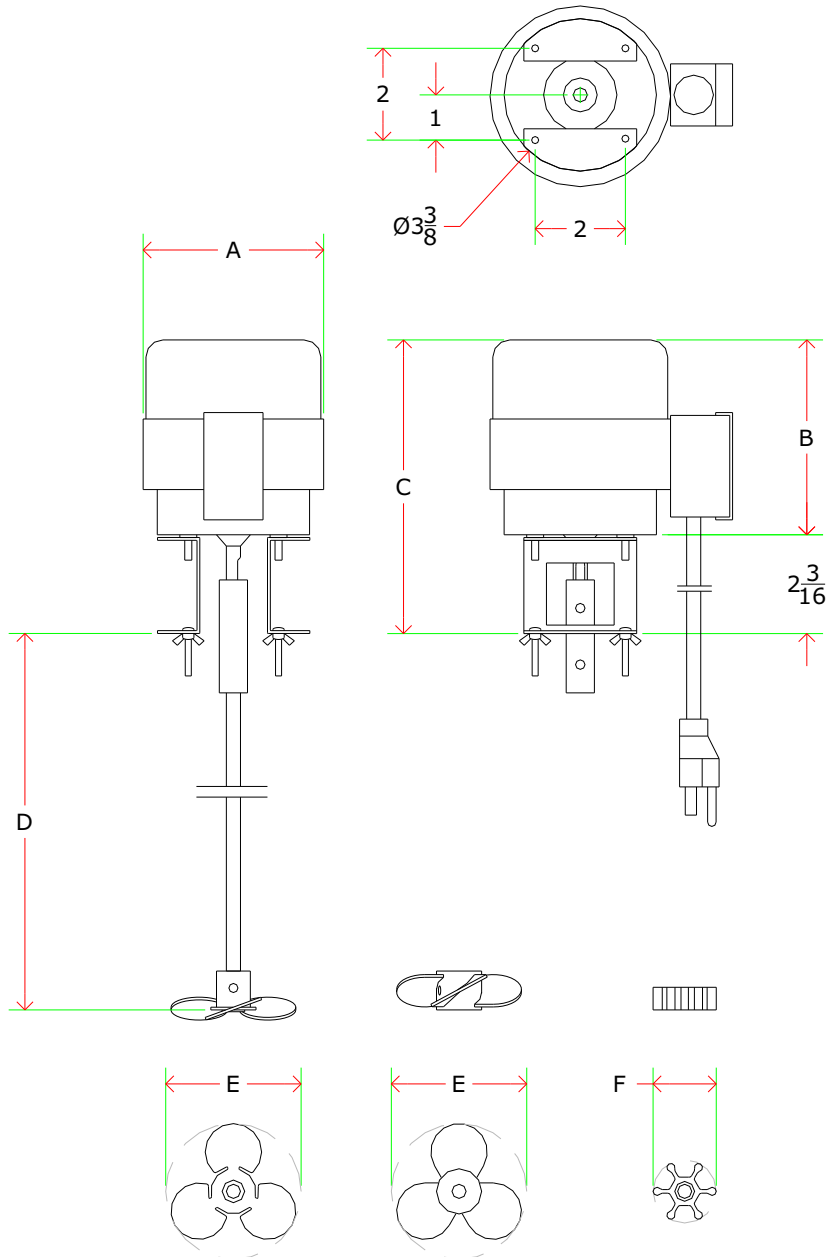
**Related Items:**  
 X

D	X	X
C	X	X
B	X	X
Rev.	Description	Date

**Notes:**  
 1)

**Notice**  
 This drawing and its content are for the specific use of GTP customers only. It is not to be duplicated or copied without expressed written content of General Treatment Products, Inc. We Reserve the right to modify this drawing with out notice.

**Description:**  
 Clamp Mount Mixer  
**Model:**  
 MH-C-xxxx



**Dimensions:**

X	X	X	X	X	X	X	X	X
X	X	X	X	X	X	X	X	X
X	X	X	X	X	X	X	X	X
X	X	X	X	X	X	X	X	X
X	X	X	X	X	X	X	X	X
X	X	X	X	X	X	X	X	X
X	X	X	X	X	X	X	X	X
X	X	X	X	X	X	X	X	X
X	X	X	X	X	X	X	X	X
MH-F-0066	4	4.4	6.6	32	3	1.4	X	2.5
MH-F-0033	3.4	3	5.7	28	2	1.4	X	1.1
MH-F-0020	3.4	2.9	5.6	22	1.9	X	X	1.0
MH-F-0014	3.4	2.4	5	16	1.9	X	X	0.7
<b>Model</b>	<b>A</b>	<b>B</b>	<b>C</b>	<b>D</b>	<b>E</b>	<b>F</b>	<b>G</b>	<b>FLA</b>

**Materials of Construction:**  
Brass, Stainless Steel, Carbon Steel

<b>Voltage:</b>	115 VAC	1 PHS	60 PHS
<b>Max. Temp.:</b>	85	°F	
<b>Max. Press:</b>	N/A	PSI	
<b>Weight:</b>	11	LBS	

<b>12</b>	X	X
<b>11</b>	X	X
<b>10</b>	X	X
<b>9</b>	X	X
<b>8</b>	X	X
<b>7</b>	X	X
<b>6</b>	X	X
<b>5</b>	X	X
<b>4</b>	X	X
<b>3</b>	X	X
<b>2</b>	X	X
<b>1</b>	X	X

#	Part	Description
---	------	-------------

 **General Treatment Products, Inc.**  
 Phone: 714-257-9165  
 Fax: 714-257-9215  
[www.gtpcompany.com](http://www.gtpcompany.com)

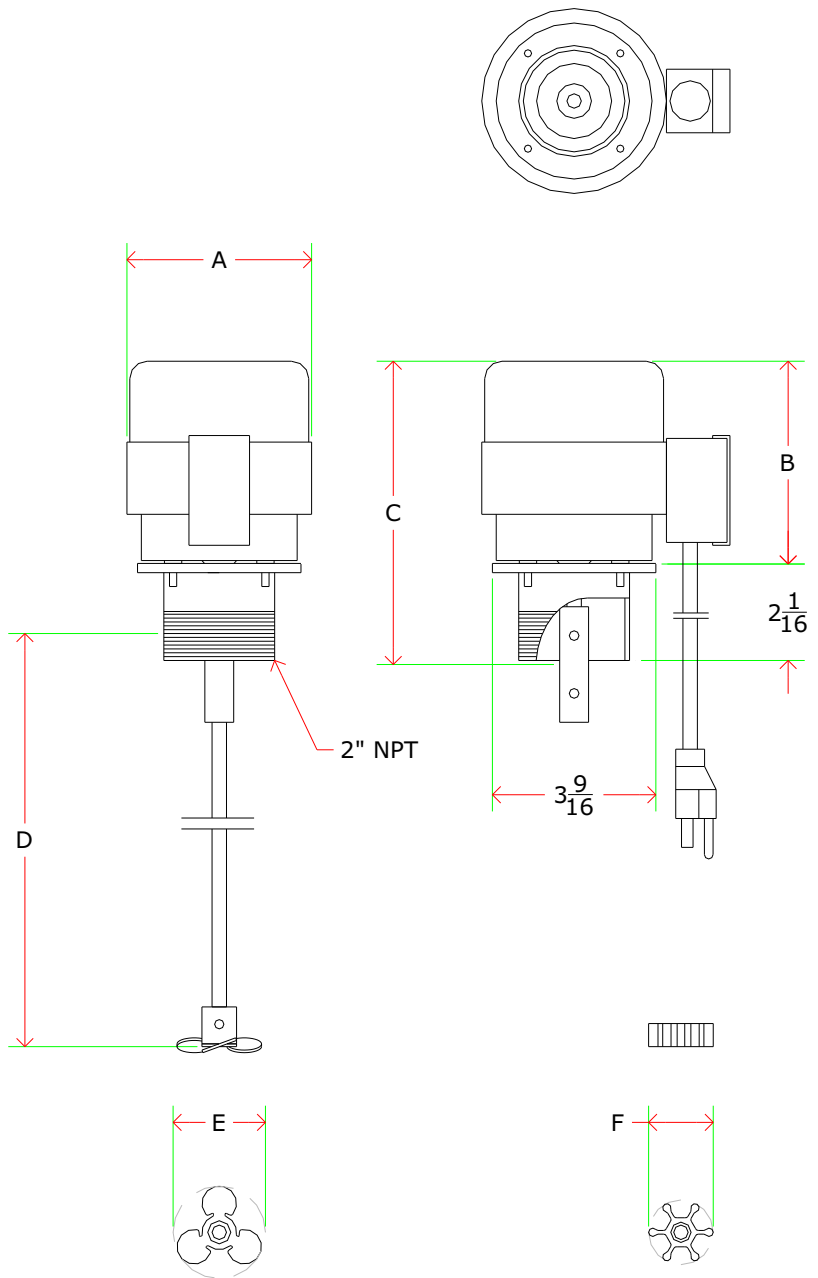
<b>Drwn By:</b> JC	<b>Related Items:</b> X
<b>Date:</b> 12/1/10	
<b>Scale:</b> NTS	
<b>Rev:</b> A	

<b>D</b>	X	X
<b>C</b>	X	X
<b>B</b>	X	X
<b>Rev.</b>	<b>Description</b>	<b>Date</b>

**Notes:**  
1)

**Notice**  
This drawing and its content are for the specific use of GTP customers only. It is not to be duplicated or copied without expressed written content of General Treatment Products, Inc. We Reserve the right to modify this drawing with out notice.

**Description:**  
Flange Mount Mixer  
**Model:**  
MH-F-xxxx



**Dimensions:**

X	X	X	X	X	X	X	X	X
X	X	X	X	X	X	X	X	X
X	X	X	X	X	X	X	X	X
X	X	X	X	X	X	X	X	X
X	X	X	X	X	X	X	X	X
X	X	X	X	X	X	X	X	X
X	X	X	X	X	X	X	X	X
X	X	X	X	X	X	X	X	X
X	X	X	X	X	X	X	X	X
MH-T-0066	4	4.4	6.6	32	3	1.4	X	2.5
MH-T-0033	3.4	3	5.7	28	2	1.4	X	1.1
MH-T-0020	3.4	2.9	5.6	22	1.9	X	X	1.0
MH-T-0014	3.4	2.4	5	16	1.9	X	X	0.7
<b>Model</b>	<b>A</b>	<b>B</b>	<b>C</b>	<b>D</b>	<b>E</b>	<b>F</b>	<b>G</b>	<b>FLA</b>

**Materials of Construction:**  
Brass, Stainless Steel, Carbon Steel

<b>Voltage:</b>	115 VAC	1 PHS	60 PHS
<b>Max. Temp.:</b>	85	°F	
<b>Max. Press:</b>	N/A	PSI	
<b>Weight:</b>	11	LBS	

<b>12</b>	X	X
<b>11</b>	X	X
<b>10</b>	X	X
<b>9</b>	X	X
<b>8</b>	X	X
<b>7</b>	X	X
<b>6</b>	X	X
<b>5</b>	X	X
<b>4</b>	X	X
<b>3</b>	X	X
<b>2</b>	X	X
<b>1</b>	X	X

#	Part	Description
---	------	-------------

Phone: 714-257-9165  
Fax: 714-257-9215  
[www.gtpcompany.com](http://www.gtpcompany.com)

<b>Drwn By:</b> JC	<b>Related Items:</b> X
<b>Date:</b> 12/1/10	
<b>Scale:</b> NTS	
<b>Rev:</b> A	

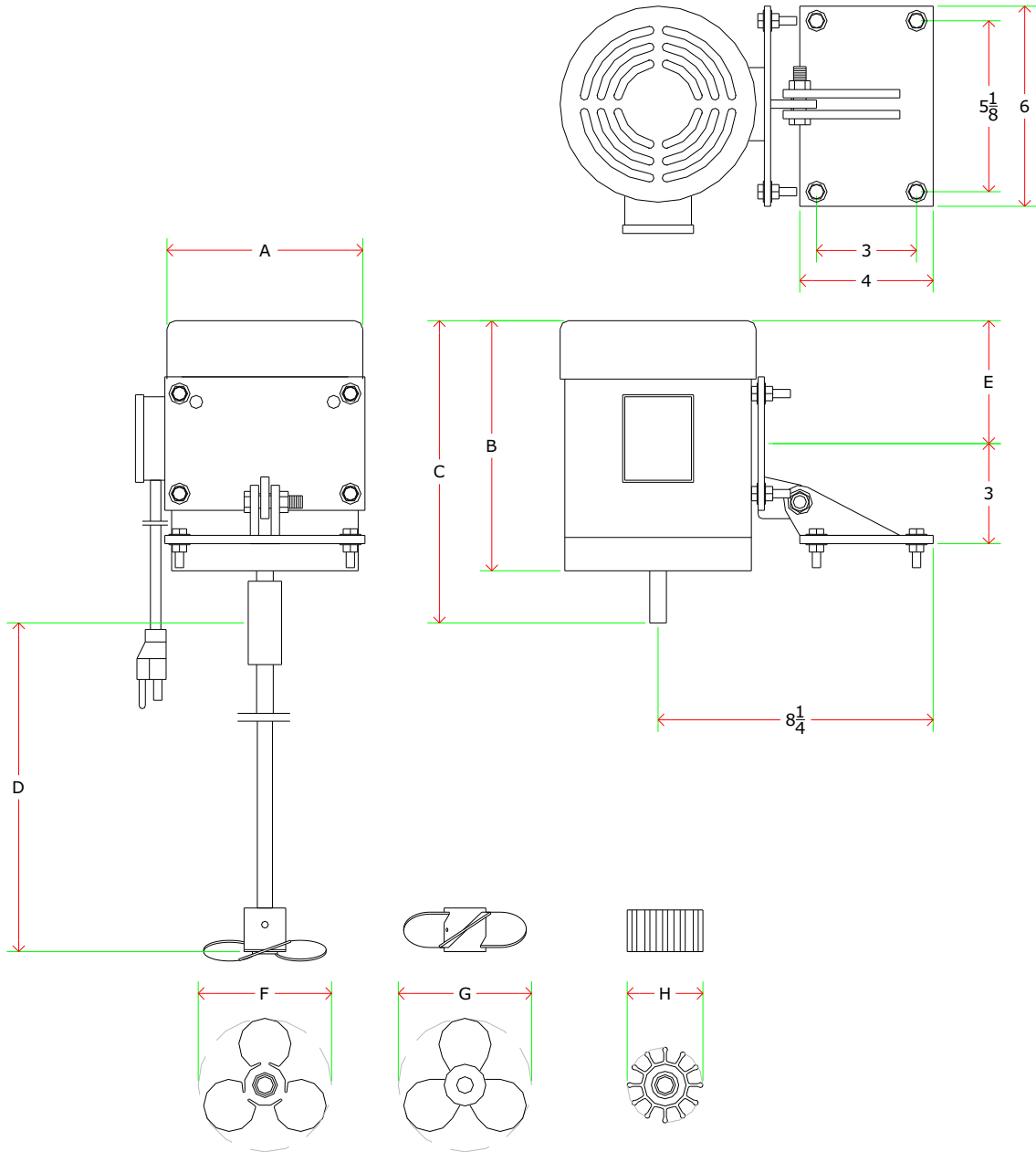
<b>D</b>	X	X
<b>C</b>	X	X
<b>B</b>	X	X
<b>Rev.</b>	<b>Description</b>	<b>Date</b>

**Notes:**  
1)

**Notice**  
This drawing and its content are for the specific use of GTP customers only. It is not to be duplicated or copied without expressed written content of General Treatment Products, Inc. We Reserve the right to modify this drawing with out notice.

**Description:**  
Thread Mount Mixer

**Model:**  
MH-T-XXXX



**Dimensions:**

X	X	X	X	X	X	X	X	X
X	X	X	X	X	X	X	X	X
X	X	X	X	X	X	X	X	X
X	X	X	X	X	X	X	X	X
X	X	X	X	X	X	X	X	X
X	X	X	X	X	X	X	X	X
X	X	X	X	X	X	X	X	X
X	X	X	X	X	X	X	X	X
X	X	X	X	X	X	X	X	X
X	X	X	X	X	X	X	X	X
GD-B-0750	5.9	9.4	11.3	40	5.2	4.5	2.3	11.0
GD-B-0500	5.9	8.7	10.7	36	4.7	4	2.3	7.1
GD-B-0330	5.9	8.5	10.4	36	4.3	4	2.3	5.8
GD-B-0250	5.9	7.5	9.1	36	3.7	4	2.3	4.4
GD-B-0166	5.9	7.5	9.1	32	3.7	3.5	2.3	3.1
<b>Model</b>	<b>A</b>	<b>B</b>	<b>C</b>	<b>D</b>	<b>E</b>	<b>F</b>	<b>G</b>	<b>FLA</b>

**Materials of Construction:**  
Brass, Stainless Steel, Carbon Steel

<b>Voltage:</b>	115 VAC	1 PHS	60 PHS
<b>Max. Temp.:</b>	85	°F	
<b>Max. Press:</b>	N/A	PSI	
<b>Weight:</b>	11	LBS	

<b>12</b>	X	X
<b>11</b>	X	X
<b>10</b>	X	X
<b>9</b>	X	X
<b>8</b>	X	X
<b>7</b>	X	X
<b>6</b>	X	X
<b>5</b>	X	X
<b>4</b>	X	X
<b>3</b>	X	X
<b>2</b>	X	X
<b>1</b>	X	X

#	Part	Description
---	------	-------------

Phone: 714-257-9165  
Fax: 714-257-9215  
[www.gtpcompany.com](http://www.gtpcompany.com)

<b>Drwn By:</b> JC	<b>Related Items:</b> X
<b>Date:</b> 12/1/10	
<b>Scale:</b> NTS	
<b>Rev:</b> A	

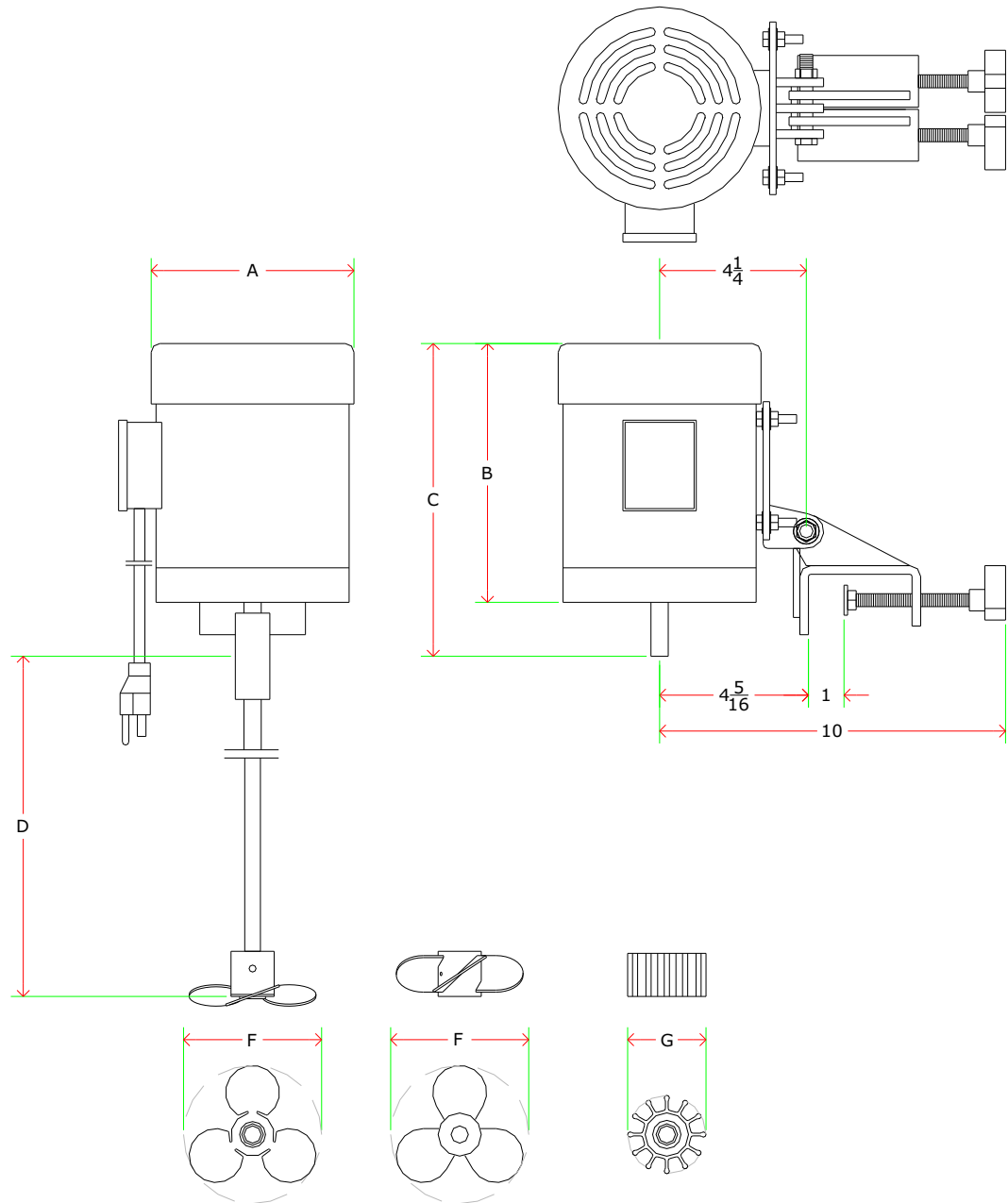
<b>D</b>	X	X
<b>C</b>	X	X
<b>B</b>	X	X
<b>Rev.</b>	<b>Description</b>	<b>Date</b>

**Notes:**  
1)

**Notice**  
This drawing and its content are for the specific use of GTP customers only. It is not to be duplicated or copied without expressed written content of General Treatment Products, Inc. We Reserve the right to modify this drawing with out notice.

**Description:**  
Bracket Mount Mixer

**Model:**  
GD-B-xxxx



**Dimensions:**

X	X	X	X	X	X	X	X	X
X	X	X	X	X	X	X	X	X
X	X	X	X	X	X	X	X	X
X	X	X	X	X	X	X	X	X
X	X	X	X	X	X	X	X	X
X	X	X	X	X	X	X	X	X
X	X	X	X	X	X	X	X	X
X	X	X	X	X	X	X	X	X
GD-C-0750	5.9	9.4	11.3	40	5.2	4.5	2.3	11.0
GD-C-0500	5.9	8.7	10.7	36	4.7	4	2.3	7.1
GD-C-0330	5.9	8.5	10.4	36	4.3	4	2.3	5.8
GD-C-0250	5.9	7.5	9.1	36	3.7	4	2.3	4.4
GD-C-0166	5.9	7.5	9.1	32	3.7	3.5	2.3	3.1
<b>Model</b>	<b>A</b>	<b>B</b>	<b>C</b>	<b>D</b>	<b>E</b>	<b>F</b>	<b>G</b>	<b>FLA</b>

**Materials of Construction:**  
Brass, Stainless Steel, Carbon Steel

<b>Voltage:</b>	115 VAC	1 PHS	60 PHS
<b>Max. Temp.:</b>	85	°F	
<b>Max. Press:</b>	N/A	PSI	
<b>Weight:</b>	11	LBS	

<b>12</b>	X	X
<b>11</b>	X	X
<b>10</b>	X	X
<b>9</b>	X	X
<b>8</b>	X	X
<b>7</b>	X	X
<b>6</b>	X	X
<b>5</b>	X	X
<b>4</b>	X	X
<b>3</b>	X	X
<b>2</b>	X	X
<b>1</b>	X	X
<b>#</b>	<b>Part</b>	<b>Description</b>

Phone: 714-257-9165  
Fax: 714-257-9215  
[www.gtpcompany.com](http://www.gtpcompany.com)

<b>Drwn By:</b> JC	<b>Related Items:</b> X
<b>Date:</b> 12/1/10	
<b>Scale:</b> NTS	
<b>Rev:</b> A	

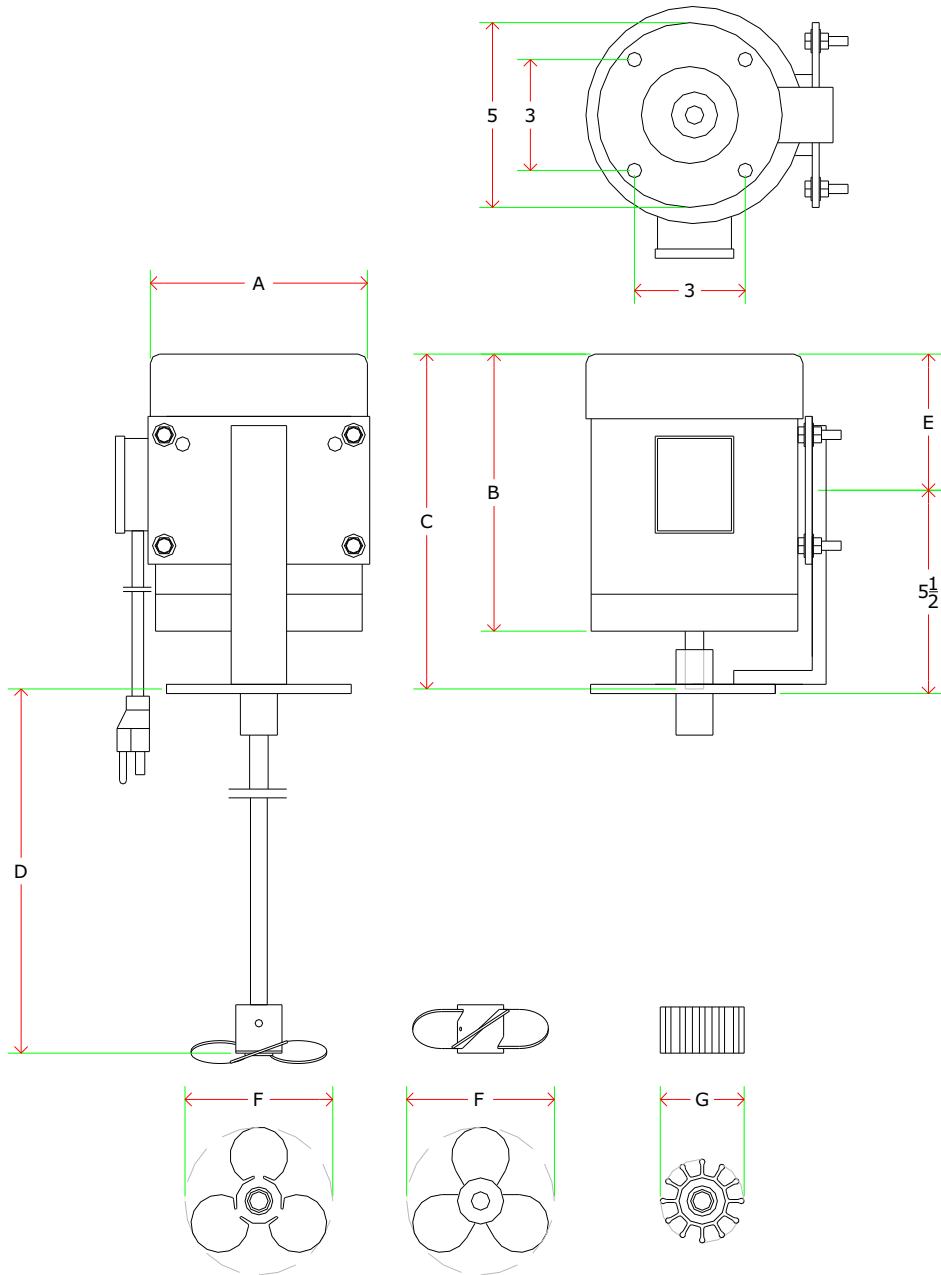
<b>D</b>	X	X
<b>C</b>	X	X
<b>B</b>	X	X
<b>Rev.</b>	<b>Description</b>	<b>Date</b>

**Notes:**  
1)

**Notice**  
This drawing and its content are for the specific use of GTP customers only. It is not to be duplicated or copied without expressed written content of General Treatment Products, Inc. We Reserve the right to modify this drawing with out notice.

**Description:**  
Clamp Mount Mixer

**Model:**  
GD-C-xxxx



**Dimensions:**

X	X	X	X	X	X	X	X	X
X	X	X	X	X	X	X	X	X
X	X	X	X	X	X	X	X	X
X	X	X	X	X	X	X	X	X
X	X	X	X	X	X	X	X	X
X	X	X	X	X	X	X	X	X
X	X	X	X	X	X	X	X	X
X	X	X	X	X	X	X	X	X
X	X	X	X	X	X	X	X	X
GD-F-0750	5.9	9.3	11.3	40	5.2	4.5	2.3	11.0
GD-F-0500	5.9	8.7	10.7	36	4.7	4	2.3	7.1
GD-F-0330	5.9	8.5	10.4	36	4.3	4	2.3	5.8
GD-F-0250	5.9	7.5	9.1	36	3.7	4	2.3	4.4
GD-F-0166	5.9	7.5	9.1	32	3.7	3.5	2.3	3.1
<b>Model</b>	<b>A</b>	<b>B</b>	<b>C</b>	<b>D</b>	<b>E</b>	<b>F</b>	<b>G</b>	<b>FLA</b>

**Materials of Construction:**  
Brass, Stainless Steel, Carbon Steel

<b>Voltage:</b>	115 VAC	1 PHS	60 PHS
<b>Max. Temp.:</b>	85	°F	
<b>Max. Press:</b>	N/A	PSI	
<b>Weight:</b>	11	LBS	

<b>12</b>	X	X
<b>11</b>	X	X
<b>10</b>	X	X
<b>9</b>	X	X
<b>8</b>	X	X
<b>7</b>	X	X
<b>6</b>	X	X
<b>5</b>	X	X
<b>4</b>	X	X
<b>3</b>	X	X
<b>2</b>	X	X
<b>1</b>	X	X
<b>#</b>	<b>Part</b>	<b>Description</b>

Phone: 714-257-9165  
Fax: 714-257-9215  
[www.gtpcompany.com](http://www.gtpcompany.com)

<b>Drwn By:</b> JC	<b>Related Items:</b> X
<b>Date:</b> 12/1/10	
<b>Scale:</b> NTS	
<b>Rev:</b> A	

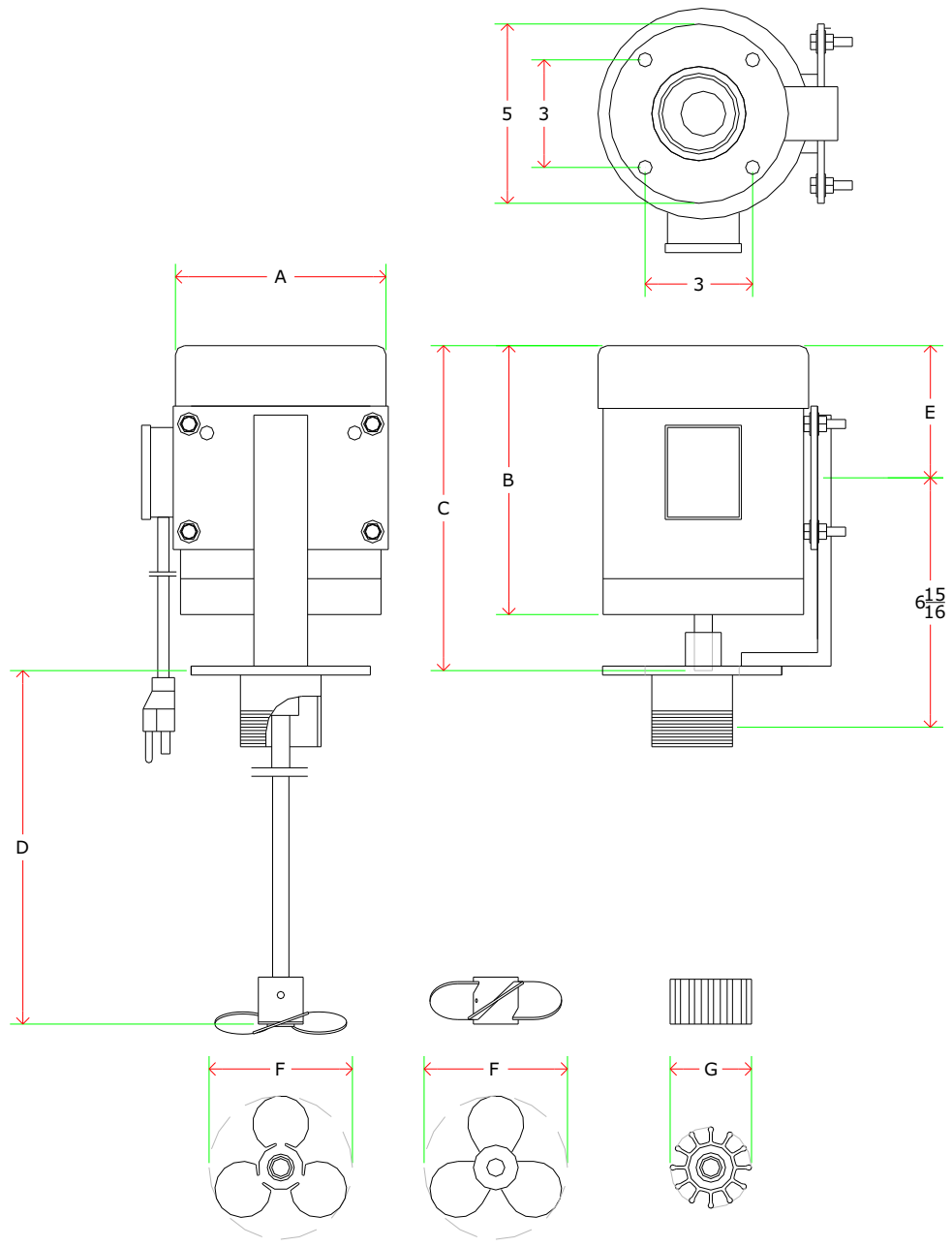
<b>D</b>	X	X
<b>C</b>	X	X
<b>B</b>	X	X
<b>Rev.</b>	<b>Description</b>	<b>Date</b>

**Notes:**  
1)

**Notice**  
This drawing and its content are for the specific use of GTP customers only. It is not to be duplicated or copied without expressed written content of General Treatment Products, Inc. We Reserve the right to modify this drawing with out notice.

**Description:**  
Flange Mount Mixer

**Model:**  
GD-F-xxxx



**Dimensions:**

X	X	X	X	X	X	X	X	X
X	X	X	X	X	X	X	X	X
X	X	X	X	X	X	X	X	X
X	X	X	X	X	X	X	X	X
X	X	X	X	X	X	X	X	X
X	X	X	X	X	X	X	X	X
X	X	X	X	X	X	X	X	X
X	X	X	X	X	X	X	X	X
GD-T-0750	5.9	9.4	11.3	40	5.2	4.5	2.3	11.0
GD-T-0500	5.9	8.7	10.7	36	4.7	4	2.3	7.1
GD-T-0330	5.9	8.5	10.4	36	4.3	4	2.3	5.8
GD-T-0250	5.9	7.5	9.1	36	3.7	4	2.3	4.4
GD-T-0166	5.9	7.5	9.1	32	3.7	3.5	2.3	3.1
<b>Model</b>	<b>A</b>	<b>B</b>	<b>C</b>	<b>D</b>	<b>E</b>	<b>F</b>	<b>G</b>	<b>FLA</b>

**Materials of Construction:**  
Brass, Stainless Steel, Carbon Steel

<b>Voltage:</b>	115 VAC	1 PHS	60 PHS
<b>Max. Temp.:</b>	85	°F	
<b>Max. Press:</b>	N/A	PSI	
<b>Weight:</b>	11	LBS	

<b>12</b>	X	X
<b>11</b>	X	X
<b>10</b>	X	X
<b>9</b>	X	X
<b>8</b>	X	X
<b>7</b>	X	X
<b>6</b>	X	X
<b>5</b>	X	X
<b>4</b>	X	X
<b>3</b>	X	X
<b>2</b>	X	X
<b>1</b>	X	X
<b>#</b>	<b>Part</b>	<b>Description</b>

**GTP**  
General Treatment Products, Inc.

Phone: 714-257-9165  
Fax: 714-257-9215  
[www.gtpcompany.com](http://www.gtpcompany.com)

<b>Drwn By:</b> JC	<b>Related Items:</b> X
<b>Date:</b> 12/1/10	
<b>Scale:</b> NTS	
<b>Rev:</b> A	

<b>D</b>	X	X
<b>C</b>	X	X
<b>B</b>	X	X
<b>Rev.</b>	<b>Description</b>	<b>Date</b>

**Notes:**  
1)

**Notice**  
This drawing and its content are for the specific use of GTP customers only. It is not to be duplicated or copied without expressed written content of General Treatment Products, Inc. We Reserve the right to modify this drawing with out notice.

**Description:**  
Thread Mount Mixer

**Model:**  
GD-T-XXXX