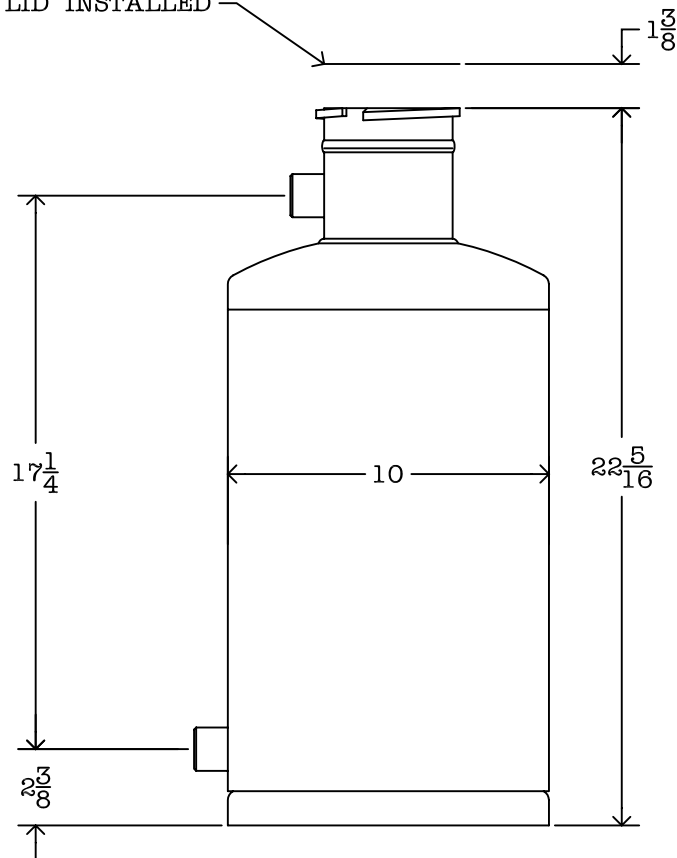


HEIGHT OF
FEEDER WITH
LID INSTALLED



20	x	x
19	x	x
18	x	x
17	x	x
16	x	x
15	x	x
14	x	x
13	x	x
12	x	x
11	x	x
10	x	x
9	x	x
8	x	x
7	x	x
6	x	x
5	x	x
4	x	x
3	x	x
2	x	x
1	x	x
#	Part	Description

GENERAL TREATMENT PRODUCTS

254 Viking Ave., Brea, CA 92821
 P.O. Box 8697, Brea, CA 92822-8697
 Phone: 714-257-9165 Fax: 714-257-9215
<http://www.gtpcompany.com>
customerservice@gtpcompany.com

Drwn By: **Jim C**
 Date: **01/02/07**
 Appr. By: **x**
 Date: **x**
 Scale: **NTS**
 Rev.: **A**

Related Items:
x

Description:
5GL FLAT BOTTOM BYPASS FEEDER

Drawing:
FBS/QC

- 4)
- 3)
- 2)
- 1)

NOTICE
 This drawing and its contents are for the specific use of GTP customers only. It is not to be duplicated or copied without expressed written consent or General Treatment Products. We reserve the right to modify this drawing without notice.

Rev	Description	Date	Notes
A	x	xx/xx/xx	