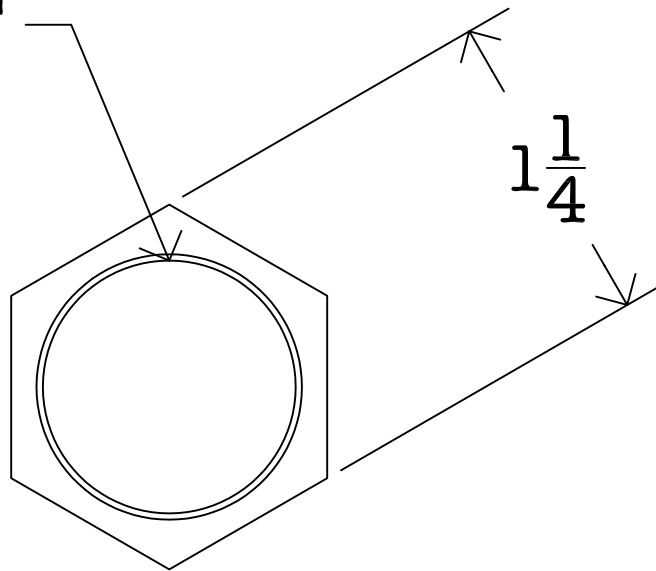


Notes:

- 1) Housing: Nickel Plated Brass or Stainless Steel
- 2) Flow Control: Buna-N
- 3) 3GPM & 5GPM models are available
- 4) Flow control valves when installed, follows the inlet valve on first horizontal run.

3/4" FNPT



20	x	x
19	x	x
18	x	x
17	x	x
16	x	x
15	x	x
14	x	x
13	x	x
12	x	x
11	x	x
10	x	x
9	x	x
8	x	x
7	x	x
6	x	x
5	x	x
4	x	x
3	x	x
2	x	x
1	x	x
#	Part	Description

GENERAL TREATMENT PRODUCTS

254 Viking Ave., Brea, CA 92821
 P.O. Box 8697, Brea, CA 92822-5697
 Phone: 714-257-9165 Fax: 714-257-9215
<http://www.gtpcompany.com>
customerservice@gtpcompany.com

Drwn By:	Jim C
Date:	01/03/07
Appr. By:	x
Date:	x
Scale:	NTS
Rev.:	A

Related Items:
x

Description:
FLOW CONTROL VALVE, STEEL

Drawing:
FCB & FCS

- 4)
- 3)
- 2)
- 1)

NOTICE

This drawing and its contents are for the specific use of GTP customers only. It is not to be duplicated or copied without expressed written consent or General Treatment Products. We reserve the right to modify this drawing without notice.

Rev	Description	Date	Notes
A	x	xx/xx/xx	