

# MAIL CALL



## GENERAL TREATMENT PRODUCTS

# Chem Feed Stations

P.O. Box 8697, Brea, CA 92822-5697

113 Viking Ave., Brea, CA 92821

Phone 714) 257-9165 Fax 714) 257-9215

[www.gtpcompany.com](http://www.gtpcompany.com)

[customerservice@gtpcompany.com](mailto:customerservice@gtpcompany.com)

## “GTP” Chem Feed Stations

**General Treatment Products, Inc.** has the capability to accommodate almost any chemical feed application. With a vast range of products at our disposal, we can build a complete turnkey system designed around your needs.

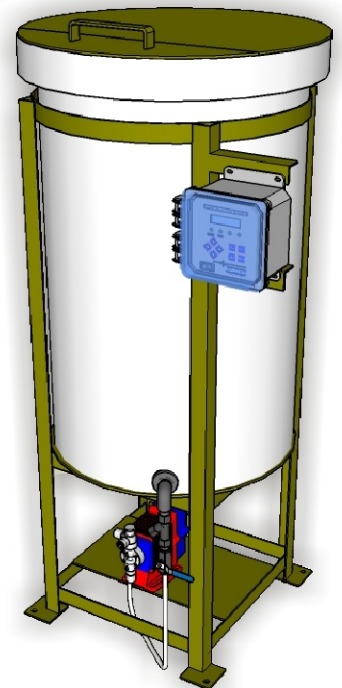
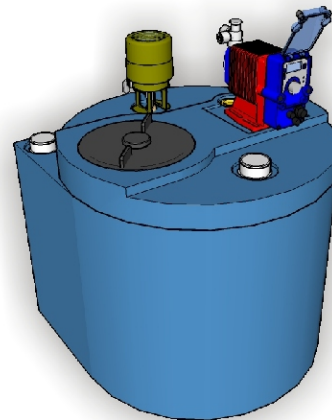
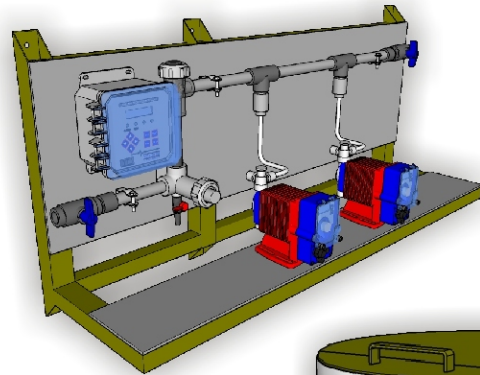
### Features:

- ◆ Chemical Dispensing, Overflow, Wall Mount and Boiler Feed Packages
- ◆ Pumps, Controllers, Mixers Included in Model
- ◆ Skid Mounted
- ◆ Complete and Tested Before Shipment

Custom built models are available. Provide us with your specifications and we can do the rest. Technical information, drawings, electrical, testing and training, it is all available to you at **“GTP”!**

With more than 30 years experience, competitive pricing and great customer service, you should contact your local **“GTP”** representative or us directly for a quote today.

**Customized for your  
application**



**Manufacturing:** Glycol Feed Packages, Bypass Filter Feeders, Separators and Separator Systems, Bromine Feeders, Corrosion Coupon Racks, Chemical Mixers, Tanks and Tank Stands.

