

MAIL CALL

Coupon Racks

P.O. Box 8697, Brea, CA 92822-5697
266 Viking Ave., Brea, CA 92821
Phone 714) 257-9165 Fax 714) 257-9215

www.gtpcompany.com

customerservice@gtpcompany.com

GENERAL TREATMENT
PRODUCTS

Corrosion Coupon Racks

General Treatment Products, Inc. knows that the precise treatment of any system is critical for maximum longevity and efficiency. To add a corrosion coupon rack to your system enables you to monitor the effectiveness of your treatment plan. This simple, low cost, addition to your system can help alleviate serious problems that may be developing.

Features:

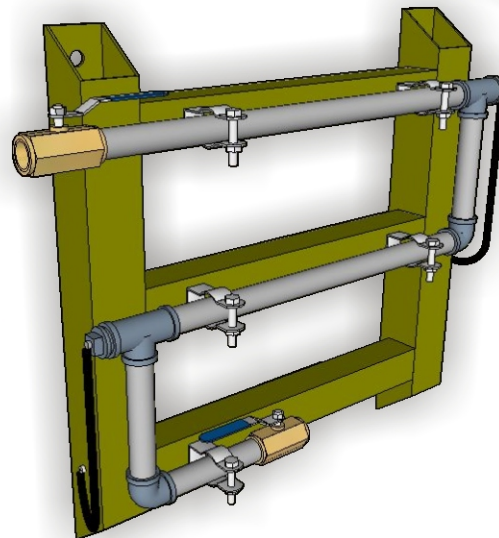
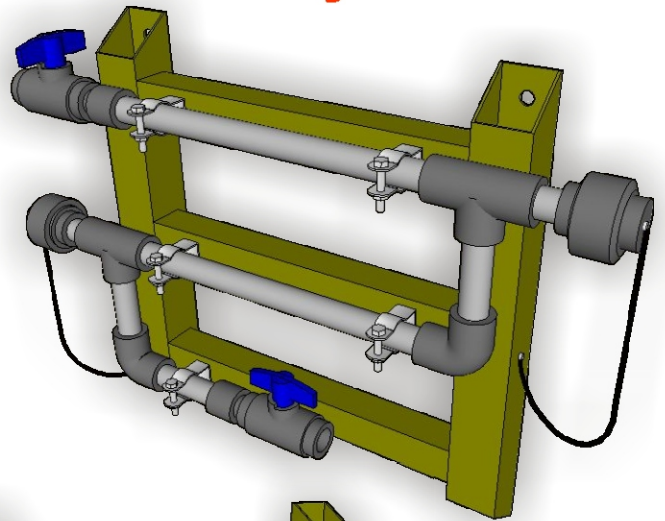
- ◆ 1 to 6 Coupon Points
- ◆ Material Choices, PVC, CPVC, Carbon Steel and Stainless Steel
- ◆ Durable Steel Mounting Frame
- ◆ Steel Safety Chain
- ◆ Inlet/Outlet Isolation Valves
- ◆ Sample Coupon ID Tags
- ◆ Mounting Hardware Included
- ◆ 2 Year Factory Warranty

Options:

- ◆ Flow Indicators
- ◆ Y-Strainers
- ◆ Flow Control Valves
- ◆ Sample Valves

GTP durable and reliable Corrosion Coupon Racks are industry ready and easy to install.

**"GTP" Corrosion Coupon Racks
come standard with a sample ID
Tag.**



Manufacturing: Glycol Feed Packages, Bypass Filter Feeders, Separators and Separator Systems, Bromine Feeders, Corrosion Coupon Racks, Chemical Mixers, Tanks and Tank Stands.

