

MAIL CALL

Residential Glycol Feed

P.O. Box 8697, Brea, CA 92822-5697
113 Viking Ave., Brea, CA 92821
Phone 714) 257-9165 Fax 714) 257-9215

www.gtpcompany.com
customerservice@gtpcompany.com

GENERAL TREATMENT
PRODUCTS

“GRE” Series Glycol Feeder

General Treatment Products, Inc. is pleased to introduce our most anticipated new product yet! The “GRE” Economy Residential Glycol Feed Systems

These 7 & 15 Gallon Glycol Feeders are what you have been waiting for in a reliable and inexpensive residential/light commercial unit. Perfect for small boilers and almost all residential/light commercial radiant heating applications. Check out these standard features & accessory options.

Standard:

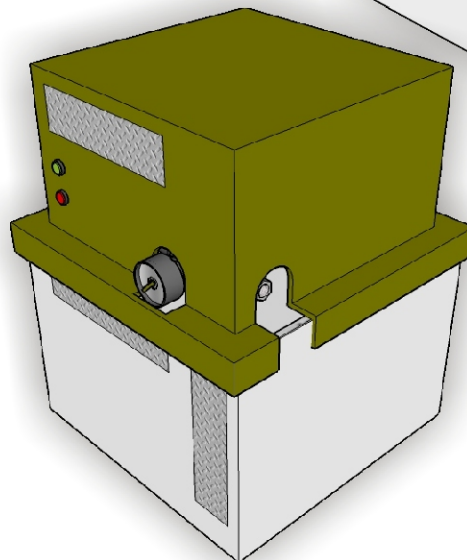
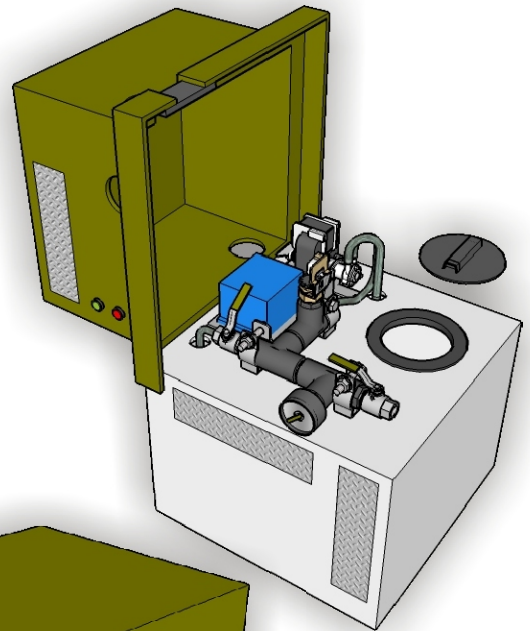
- ◆ Low Level Pump Shut-Off w/Light
- ◆ Easily Accessible Lockable Top
- ◆ Easy Valve Mixing
- ◆ 115V, 0.43GPM @ 20PSI Pump
- ◆ 0-30PSI Pressure Gauge
- ◆ Easily Adjustable Pressure Switch
- ◆ Green Power & Red Low Level Light
- ◆ Easy to Read Level Indicator
- ◆ 2 Year Warranty

Accessories:

- ◆ Dry Contact and Low Level Alarm
- ◆ Wall Mount Bracket
- ◆ High Temp Manifold

Please contact your local “GTP” Rep or us directly for further information on these, or any other of our other fine products.

115VAC Gear Pump, Low Level Protection and Locking Safety Cover - “STANDARD”



Manufacturing: Glycol Feed Packages, Bypass Filter Feeders, Separators and Separator Systems, Bromine Feeders, Corrosion Coupon Racks, Chemical Mixers, Tanks and Tank Stands.

