

# MAIL CALL



GENERAL TREATMENT  
PRODUCTS

## Introduction Letter

P.O. Box 8697, Brea, CA 92822-5697  
113 Viking Ave., Brea, CA 92821  
Phone 714) 257-9165 Fax 714) 257-9215

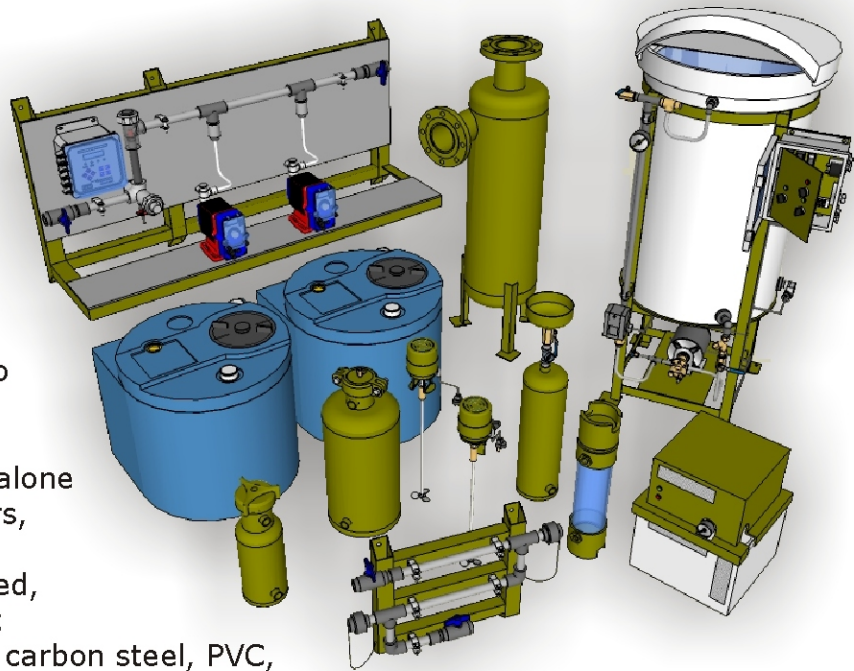
[www.gtpcompany.com](http://www.gtpcompany.com)  
[customerservice@gtpcompany.com](mailto:customerservice@gtpcompany.com)

## Introductions are in order!

### General Treatment Products, Inc.

Is the most versatile source for:

- ◆ **Glycol Feed Systems:** Wall mount or 7.5 to 100 gallon, standard, high temp., residential and duplex models
- ◆ **Bypass/Filter Feeders:** 1, 2, 5 and 10 gallon flat and dome bottom, pleated or sock filters, valve packages and accessories
- ◆ **Bromine Feeders:** 15 & 25 pound models
- ◆ **Separator & Separator Systems:** 40 to 4800 GPM at 45 or 90TDH
- ◆ **Chemical Feed Stations:** dispensing, Control and boiler feed packages, stand alone or wall mount, enclosures, pumps, mixers, fittings and level controls
- ◆ **Chemical Mixers:** 1/70 to 2HP high speed, bracket, clamp, thread and flange mount
- ◆ **Corrosion Coupon Racks:** 1 to 6 point, carbon steel, PVC, CPVC and stainless steel.
- ◆ **Poly Tanks:** 5 to 5000 Gallon single and double wall, cylindrical and rectangular
- ◆ **Tank Stands:** flat and conical bottom, ranging 5 to 500 Gallon
- ◆ **Custom Systems:** packaged neutralization with sample stations, boiler packages feed, pumping stations, complete monitors and controls, start up and training, etc...



Also ask about our distribution products such as, **Walchem** Metering Pumps and Controls, **SeaMetrics** Flow Meters and Controls, **Iwaki** Mag Drive Pumps, **ARO** transfer pumps, **Flowline** Level Sensors and Controls, **KoFlo** Static Mixers, **ASCO** Solenoid Valves and much more...

With a combined 27 years of industry experience, a quality product and a great price, let **General Treatment Products, Inc.** be your new source of HVAC and process treatment equipment. Call us or Visit our website at [www.gtpcompany.com](http://www.gtpcompany.com) for our product line and literature.

**Manufacturing:** Glycol Feed Packages, Bypass Filter Feeders, Separators and Separator Systems, Bromine Feeders, Corrosion Coupon Racks, Chemical Mixers, Tanks and Tank Stands.

