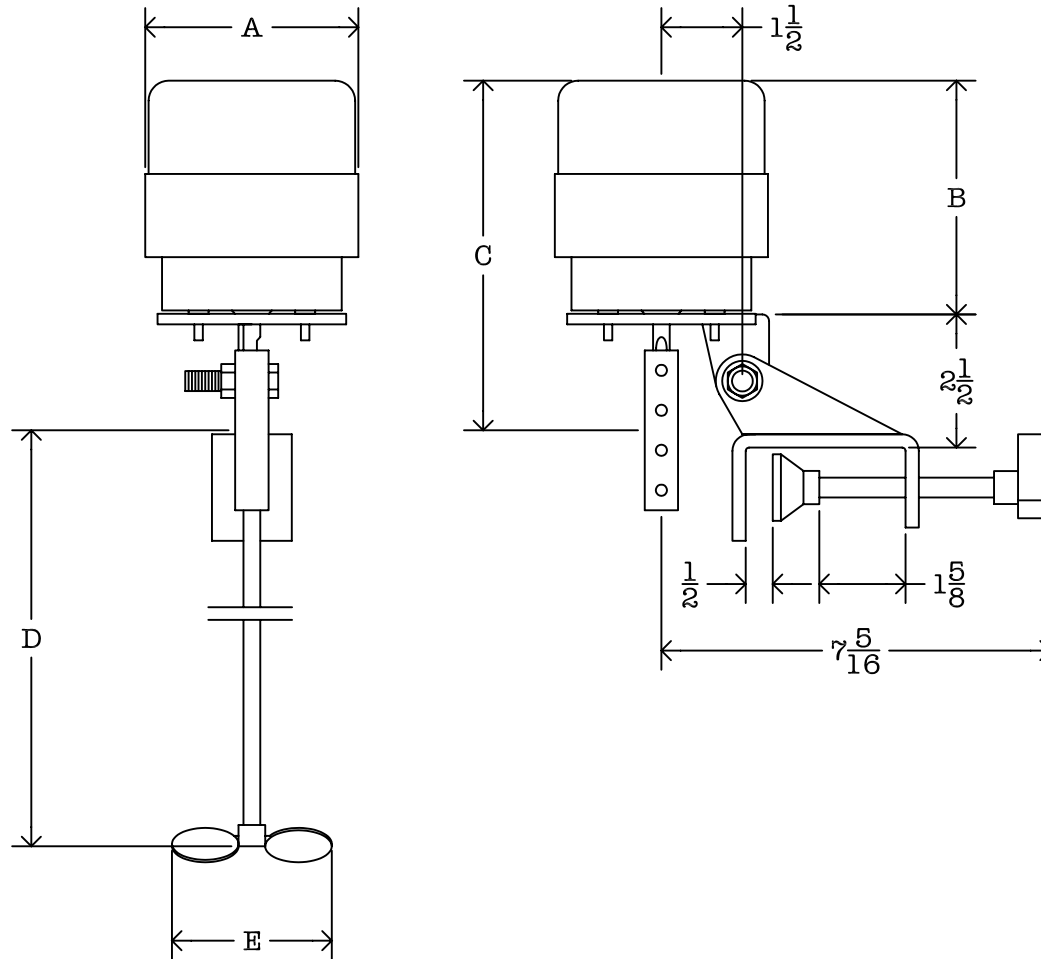


DIMENSIONS:

MODEL:	A	B	C	D	E
MH-C-0014	3.375"	2.375"	5.063"	16"	1.875"
MH-C-0020	3.375"	2.875"	5.563"	22"	1.875"
MH-C-0033	3.375"	3"	5.688"	28"	2"
MH-C-0066	4"	4.375"	6.563"	32"	3"



GENERAL TREATMENT PRODUCTS
 254 Viking Ave., Brea, CA 92821
 P.O. Box 8697, Brea, CA 92822-8697
 Phone: 714-257-9165 Fax: 714-257-9215
<http://www.gtpcompany.com>
customerservice@gtpcompany.com

Drwn By: Jim C
Date: 06/19/06
Appr. By: x
Date: x
Scale: NTS
Rev.: A

Related Items:	x
----------------	----------

Description: **MH Clamp Mount Mixer**

Drawing: **MH-C-XXXX**

- 4)
- 3)
- 2)
- 1)

NOTICE
 This drawing and it's contents are for the specific use of GTP customers only. It is not to be duplicated or copied without expressed written consent or General Treatment Products. We reserve the right to modify this drawing without notice.

A	x	xx/xx/xx
Rev	Description	Date

Notes: