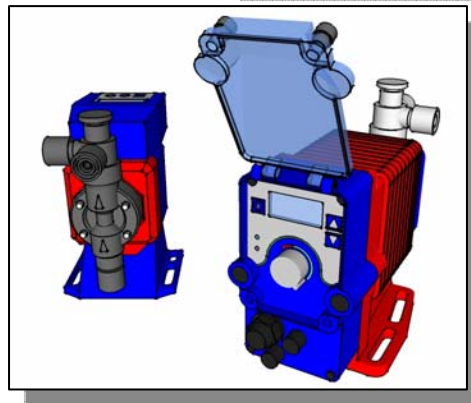
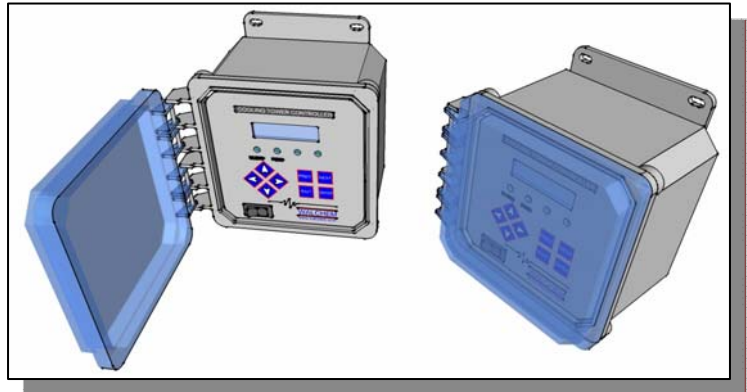
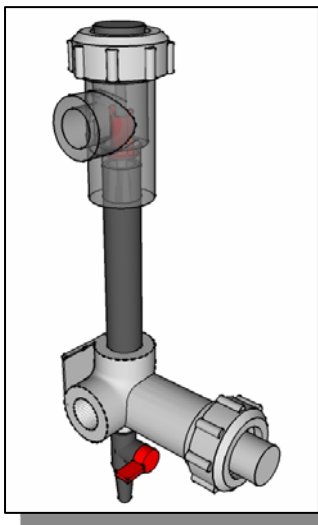


# Walchem Pumps and Controllers

## Table Of Contents

| Description   | Page |
|---|------|
| "EZ" Economy Electronic Metering Pumps (0.6–6.3GPH/150–30PSI)         | 2    |
| "EW" Electronic Metering Pumps (0.6-6.7GPH/150-30PSI)                 | 3    |
| "EHE" High Capacity Electronic Metering Pumps (5.5-20.0GPH/150–30PSI) | 4    |
| "IX" Advanced Digital Metering Pumps (39.6GPH/150PSI)                 | 4    |
| "LK" Motor Driven Metering Pumps (9.5-114.3GPH/150-45PSI)             | 6    |
| "WCT400 & WCT410" Cooling Tower Controller and Biocide Additions      | 7    |
| "WBL" Boiler Controller   | 8    |
| "WPH" pH/ORP Controllers  | 8    |

Note: GTP Supplemental price sheet has been condensed to conserve paper. Contact GTP customer service for complete electronic version.



**Warranty:** WALCHEM Corporation warrants equipment of its manufacture and bearing its identification to be free from defects in workmanship and material for a period of two years from date of delivery from the factory or authorized distributor under normal use and service and otherwise when such equipment is used in accordance with instructions furnished by WALCHEM Corporation and for the purposes disclosed in writing at the time purchased, if any. WALCHEM Corporation(s) liability under this warranty shall be limited to replacement or repair, F.O.B. Holliston, MA U.S.A. of any defective equipment or part which, having been returned to WALCHEM Corporation, transportation charges prepaid, has been inspected and determined by WALCHEM Corporation to be defective.

THIS WARRANTY IS IN LIEU OF ANY OTHER WARRANTY, EITHER EXPRESS OR IMPLIED, AS TO DESCRIPTION, QUALITY, MERCHANTABILITY, FITNESS FOR ANY PARTICULAR PURPOSE OR USE, OR ANY OTHER MATTER.

**Terms of Sale:** All pricing quoted or otherwise are F.O.B. factory, and are subject to change without notice. Unless specified, pricing does not include freight, special packaging, applicable sales, excise or other taxes. Credit terms are Net 30 Days from the date of shipment. All overdue invoices are subject to 1.5% service charge.

# Walchem Pumps and Controllers

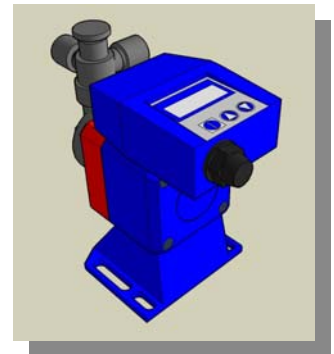


## "EZ" Economy Electronic Metering Pump

| Liquid End   | Price    |          | Head   | Balls   | Materials of Construction |          |           | Rebuild | Price |
|--|----------|----------|--------|---------|---------------------------|----------|-----------|---------|-------|
|  | EZB11D1- | EZB11T1- |        |         | Seat/Seal                 | Fittings |           |         |       |
| <b>EZBxxD1 (115VAC, On/Off, 0-360 Digital Speed Control, Fixed stroke length)</b>                      |          |          |        |         |                           |          |           |         |       |
| <b>EZBxxT1 (115VAC, On/Off, Speed Control, Fixed Stroke and built in daily, 7 day or 14 day timer)</b> |          |          |        |         |                           |          |           |         |       |
| <b>EZCxxD1 (115VAC, On/Off, 0-360 Digital Speed Control, Fixed stroke length)</b>                      |          |          |        |         |                           |          |           |         |       |
| <b>EZCxxT1 (115VAC, On/Off, Speed Control, Fixed Stroke and built in daily, 7 day or 14 day timer)</b> |          |          |        |         |                           |          |           |         |       |
| <b>0.6GPH 150PSI</b>   |          |          |        |         |                           |          |           |         |       |
| PE   | 361.00   | 587.00   | GFR PP | Ceramic | EPDM                      | 3/8" PE  | X11PE-PK  | 38.00   |       |
| PEM  | 401.00   | 627.00   | GFR PP | Ceramic | EPDM                      | 3/8" PE  | X11PE-PK  | 38.00   |       |
| VC   | 361.00   | 587.00   | PVC    | Ceramic | FKM                       | 3/8" PE  | X11VC-PK  | 38.00   |       |
| VCM  | 401.00   | 627.00   | PVC    | Ceramic | FKM                       | 3/8" PE  | X11VC-PK  | 38.00   |       |
| VCA  | 416.00   | 642.00   | PVC    | Ceramic | FKM                       | 3/8" PE  | X11VCA-PK | 45.00   |       |
| FC   | 545.00   | 771.00   | PVDF   | Ceramic | PCTFE/PTFE                | 3/8" PE  | Z11FC-PK  | 66.00   |       |
| <b>1.0GPH 105PSI</b>   |          |          |        |         |                           |          |           |         |       |
| PE   | 372.00   | 598.00   | GFR PP | Ceramic | EPDM                      | 3/8" PE  | X16PE-PK  | 38.00   |       |
| PEM  | 412.00   | 638.00   | GFR PP | Ceramic | EPDM                      | 3/8" PE  | X16PE-PK  | 38.00   |       |
| VC   | 372.00   | 598.00   | PVC    | Ceramic | FKM                       | 3/8" PE  | X16VC-PK  | 38.00   |       |
| VCM  | 412.00   | 638.00   | PVC    | Ceramic | FKM                       | 3/8" PE  | X16VC-PK  | 38.00   |       |
| VCA  | 427.00   | 653.00   | PVC    | Ceramic | FKM                       | 3/8" PE  | X16VCA-PK | 45.00   |       |
| FC   | 556.00   | 782.00   | PVDF   | Ceramic | PCTFE/PTFE                | 3/8" PE  | Z16FC-PK  | 66.00   |       |
| <b>1.5GPH 60PSI</b>  |          |          |        |         |                           |          |           |         |       |
| PE   | 394.00   | 620.00   | GFR PP | Ceramic | EPDM                      | 3/8" PE  | X21PE-PK  | 38.00   |       |
| PEM  | 434.00   | 660.00   | GFR PP | Ceramic | EPDM                      | 3/8" PE  | X21PE-PK  | 38.00   |       |
| VC   | 394.00   | 620.00   | PVC    | Ceramic | FKM                       | 3/8" PE  | X21VC-PK  | 38.00   |       |
| VCM  | 434.00   | 660.00   | PVC    | Ceramic | FKM                       | 3/8" PE  | X21VC-PK  | 38.00   |       |
| FC   | 578.00   | 804.00   | PVDF   | Ceramic | PCTFE/PTFE                | 3/8" PE  | Z21FC-PK  | 66.00   |       |
| <b>2.0GPH 105PSI</b>   |          |          |        |         |                           |          |           |         |       |
| PE   |          | 530.00   | GFR PP | Ceramic | EPDM                      | 3/8" PE  | X21PE-PK  | 38.00   |       |
| PEM  |          | 570.00   | GFR PP | Ceramic | EPDM                      | 3/8" PE  | X21PE-PK  | 38.00   |       |
| VC   |          | 530.00   | PVC    | Ceramic | FKM                       | 3/8" PE  | X21VC-PK  | 38.00   |       |
| VCM  |          | 570.00   | PVC    | Ceramic | FKM                       | 3/8" PE  | X21VC-PK  | 38.00   |       |
| VCA  |          | 588.00   | PVC    | Ceramic | FKM                       | 3/8" PE  | X21VCA-PK | 45.00   |       |
| FC   |          | 723.00   | PVDF   | Ceramic | PCTFE/PTFE                | 3/8" PE  | Z21FC-PK  | 66.00   |       |
| <b>4.3GPH 50PSI</b>  |          |          |        |         |                           |          |           |         |       |
| PE   |          | 559.00   | GFR PP | Ceramic | EPDM                      | 1/2" PE  | X31PE-PK  | 38.00   |       |
| VC   |          | 559.00   | PVC    | Ceramic | FKM                       | 1/2" PE  | X31VC-PK  | 38.00   |       |
| FC   |          | 752.00   | PVDF   | Ceramic | PCTFE/PTFE                | 1/2" PE  | Z31FC-PK  | 88.00   |       |
| <b>6.3GPH 30PSI</b>  |          |          |        |         |                           |          |           |         |       |
| PE   |          | 589.00   | GFR PP | Ceramic | EPDM                      | 1/2" PE  | X36PE-PK  | 42.00   |       |
| VC   |          | 589.00   | PVC    | Ceramic | FKM                       | 1/2" PE  | X36VC-PK  | 38.00   |       |
| FC   |          | 827.00   | PVDF   | Ceramic | PCTFE/PTFE                | 1/2" PE  | Z36FC-PK  | 88.00   |       |

**Notes:**

- 1) All pumps include manual air vent valve (except "FC" liquid ends), foot valve, injection check, ceramic weight and 20FT of tubing.
- 2) "M" Denotes multifunction valve.
- 3) 230VAC models can be ordered by changing voltage code 1 to 2.



# Walchem Pumps and Controllers

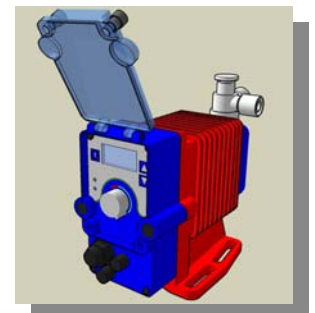


## "EW" Electronic Metering Pumps

| EWxxxF1    |          | (On/Off with external start/stop, digital pulse control, stop and pre-stop inputs)                   |               |         |                           |          |           |        |
|------------|----------|--|---------------|---------|---------------------------|----------|-----------|--------|
| EWxxxY1    |          | (On/Off with external start/stop, programmable 4-20mA, pulse input with multiply and divide control) |               |         |                           |          |           |        |
| Liquid End | Price    |  | Head          | Balls   | Materials of Construction |          |           | Price  |
|            | EWB11F1- | EWB11Y1-   |               |         | Seat/Seal                 | Fittings | Rebuild   |        |
|            |          |  | <b>0.6GPH</b> |         | <b>150PSI</b>             |          |           |        |
| PE         | 496.00   | 700.00   | GFR PP        | Ceramic | EPDM                      | 3/8" PE  | X11PE-PK  | 38.00  |
| PEM        | 536.00   | 740.00   | GFR PP        | Ceramic | EPDM                      | 3/8" PE  | X11PE-PK  | 38.00  |
| VC         | 496.00   | 700.00   | PVC           | Ceramic | FKM                       | 3/8" PE  | X11VC-PK  | 38.00  |
| VCM        | 536.00   | 740.00   | PVC           | Ceramic | FKM                       | 3/8" PE  | X11VC-PK  | 38.00  |
| VCA        | 553.00   | 758.00   | PVC           | Ceramic | FKM                       | 3/8" PE  | X11VCA-PK | 45.00  |
| FC         | 688.00   | 893.00   | PVDF          | Ceramic | PCTFE/PTFE                | 3/8" PE  | X11FC-PK  | 55.00  |
| SH         | 1,157.00 | 1,362.00   | SS            | Hast C  | SS/PTFE                   | 1/4FNPT  | X11SH-PK  | 78.00  |
|            |          |  | <b>1.0GPH</b> |         | <b>105PSI</b>             |          |           |        |
| PE         | 525.00   | 730.00   | GFR PP        | Ceramic | EPDM                      | 3/8" PE  | X16PE-PK  | 38.00  |
| PEM        | 565.00   | 770.00   | GFR PP        | Ceramic | EPDM                      | 3/8" PE  | X16PE-PK  | 38.00  |
| VC         | 525.00   | 730.00   | PVC           | Ceramic | FKM                       | 3/8" PE  | X16VC-PK  | 38.00  |
| VCM        | 565.00   | 770.00   | PVC           | Ceramic | FKM                       | 3/8" PE  | X16VC-PK  | 38.00  |
| VCA        | 583.00   | 788.00   | PVC           | Ceramic | FKM                       | 3/8" PE  | X16VCA-PK | 45.00  |
| FC         | 717.00   | 922.00   | PVDF          | Ceramic | PCTFE/PTFE                | 3/8" PE  | X16FC-PK  | 55.00  |
|            |          |  | <b>1.8GPH</b> |         | <b>60PSI</b>              |          |           |        |
| PE         | 554.00   | 759.00   | GFR PP        | Ceramic | EPDM                      | 3/8" PE  | X21PE-PK  | 38.00  |
| PEM        | 594.00   | 799.00   | GFR PP        | Ceramic | EPDM                      | 3/8" PE  | X21PE-PK  | 38.00  |
| VC         | 554.00   | 759.00   | PVC           | Ceramic | FKM                       | 3/8" PE  | X21VC-PK  | 38.00  |
| VCM        | 594.00   | 799.00   | PVC           | Ceramic | FKM                       | 3/8" PE  | X21VC-PK  | 38.00  |
| FC         | 747.00   | 951.00   | PVDF          | Ceramic | PCTFE/PTFE                | 3/8" PE  | X21FC-PK  | 55.00  |
| SH         | 1,216.00 | 1,421.00   | SS            | Hast C  | SS/PTFE                   | 1/4FNPT  | X21SH-PK  | 78.00  |
|            |          |  | <b>2.3GPH</b> |         | <b>105PSI</b>             |          |           |        |
| PE         | 722.00   | 927.00   | GFR PP        | Ceramic | EPDM                      | 3/8" PE  | X21PE-PK  | 38.00  |
| PEM        | 762.00   | 967.00   | GFR PP        | Ceramic | EPDM                      | 3/8" PE  | X21PE-PK  | 38.00  |
| VC         | 722.00   | 927.00   | PVC           | Ceramic | FKM                       | 3/8" PE  | X21VC-PK  | 38.00  |
| VCM        | 762.00   | 967.00   | PVC           | Ceramic | FKM                       | 3/8" PE  | X21VC-PK  | 38.00  |
| VCA        | 780.00   | 985.00   | PVC           | Ceramic | FKM                       | 3/8" PE  | X21VCA-PK | 45.00  |
| FC         | 916.00   | 1,120.00   | PVDF          | Ceramic | PCTFE/PTFE                | 3/8" PE  | X21FC-PK  | 68.00  |
| SH         | 1,383.00 | 1,588.00   | SS            | Hast C  | SS/PTFE                   | 1/4FNPT  | X21SH-PK  | 82.00  |
|            |          |  | <b>4.3GPH</b> |         | <b>50PSI</b>              |          |           |        |
| PE         | 752.00   | 957.00   | GFR PP        | Ceramic | EPDM                      | 1/2" PE  | X31PE-PK  | 38.00  |
| VC         | 752.00   | 957.00   | PVC           | Ceramic | FKM                       | 1/2" PE  | X31VC-PK  | 38.00  |
| FC         | 989.00   | 1,194.00   | PVDF          | Ceramic | PCTFE/PTFE                | 1/2" PE  | X31FC-PK  | 154.00 |
| SH         | 1,531.00 | 1,736.00   | SS            | Hast C  | SS/PTFE                   | 1/4FNPT  | X31SH-PK  | 98.00  |
|            |          |  | <b>6.7GPH</b> |         | <b>30PSI</b>              |          |           |        |
| PE         | 781.00   | 986.00   | GFR PP        | Ceramic | EPDM                      | 1/2" PE  | X36PE-PK  | 42.00  |
| VC         | 781.00   | 986.00   | PVC           | Ceramic | FKM                       | 1/2" PE  | X36VC-PK  | 42.00  |
| FC         | 1,064.00 | 1,268.00   | PVDF          | Ceramic | PCTFE/PTFE                | 1/2" PE  | X36FC-PK  | 165.00 |
| SH         | 1,736.00 | 1,849.00   | SS            | Hast C  | SS/PTFE                   | 1/4FNPT  | X36SH-PK  | 104.00 |

**Notes:**

- 1) All pumps include manual air vent valve (except "FC" & "SH" liquid ends), foot valve, injection check, ceramic weight and 20FT of tubing (except for "SH" liquid ends).
- 2) "M" Denotes multifunction valve.
- 3) 230VAC models can be ordered by changing voltage code 1 to 2.





# Walchem Pumps and Controllers

## "EHE" High Capacity Electronic Metering Pumps

| <b>EHExxE1</b> (On/Off with external start/stop, programmable 4-20mA, pulse input with multiply and divide control) |          |                           |         |            |         |          |        |
|---|----------|---------------------------|---------|------------|---------|----------|--------|
| Liquid End  | Price    | Materials of Construction |         |            |         |          |        |
|   |          | Head                      | Balls   | Seat/Seal  | Tubing  | Rebuild  | Price  |
| <b>EHE31E1- 5.5GPH 150PSI</b>   |          |                           |         |            |         |          |        |
| PE  | 1,230.00 | GFR PP                    | Ceramic | EPDM       | 1/2" PE | E31PE-PK | 74.00  |
| PEP   | 1,296.00 | GFR PP                    | Ceramic | EPDM       | 3/4MNPT | E31PE-PK | 74.00  |
| VC  | 1,212.00 | PVC                       | Ceramic | FKM        | 1/2" PE | E31VC-PK | 74.00  |
| VCP   | 1,276.00 | PVC                       | Ceramic | FKM        | 3/4MNPT | E31VC-PK | 74.00  |
| FC  | 1,523.00 | PVDF                      | Ceramic | PCTFE/PTFE | 1/2" PE | E31FC-PK | 122.00 |
| <b>EHE36E1- 8.5GPH 105PSI</b>   |          |                           |         |            |         |          |        |
| PE  | 1,287.00 | GFR PP                    | Ceramic | EPDM       | 1/2" PE | E36PE-PK | 85.00  |
| PEP   | 1,353.00 | GFR PP                    | Ceramic | EPDM       | 3/4MNPT | E36PE-PK | 85.00  |
| VC  | 1,269.00 | PVC                       | Ceramic | FKM        | 1/2" PE | E36VC-PK | 85.00  |
| VCP   | 1,336.00 | PVC                       | Ceramic | FKM        | 3/4MNPT | E36VC-PK | 85.00  |
| FC  | 1,582.00 | PVDF                      | Ceramic | PCTFE/PTFE | 1/2" PE | E36FC-PK | 134.00 |
| <b>EHE46E1- 12.0GPH 60PSI</b>   |          |                           |         |            |         |          |        |
| PE  | 1,321.00 | GFR PP                    | Ceramic | EPDM       | 1/2" PE | E46PE-PK | 105.00 |
| PEP   | 1,387.00 | GFR PP                    | Ceramic | EPDM       | 3/4MNPT | E46PE-PK | 105.00 |
| VC  | 1,304.00 | PVC                       | Ceramic | FKM        | 1/2" PE | E46VC-PK | 105.00 |
| VCP   | 1,370.00 | PVC                       | Ceramic | FKM        | 3/4MNPT | E46VC-PK | 105.00 |
| FC  | 1,611.00 | PVDF                      | Ceramic | PCTFE/PTFE | 1/2" PE | E46FC-PK | 214.00 |
| <b>EHE56E1- 20.0GPH 30PSI</b>   |          |                           |         |            |         |          |        |
| PE  | 1,408.00 | GFR PP                    | Ceramic | EPDM       | 1/2" PE | E56PE-PK | 123.00 |
| PEP   | 1,594.00 | GFR PP                    | Ceramic | EPDM       | 3/4MNPT | E56PE-PK | 123.00 |
| VC  | 1,391.00 | PVC                       | Ceramic | FKM        | 1/2" PE | E56VC-PK | 123.00 |
| VCP   | 1,517.00 | PVC                       | Ceramic | FKM        | 3/4MNPT | E56VC-PK | 123.00 |
| FC  | 1,699.00 | PVDF                      | Ceramic | PCTFE/PTFE | 1/2" PE | E56FC-PK | 233.00 |

**Notes:**

- 1) All pumps include manual air vent valve (except "FC" and "xxP" liquid ends), foot valve, injection check, ceramic weight and 20FT of tubing (except "xxP" liquid ends).
- 2) "230VAC" models can be ordered by changing voltage code 1 to 2.

## "IX" Advanced Digital Metering Pumps

| <b>IX-C150</b> (Fully programmable analog or digital control, batch or timer control) |          |                           |         |           |         |             |        |
|---|----------|---------------------------|---------|-----------|---------|-------------|--------|
| Liquid End  | Price    | Materials of Construction |         |           |         |             |        |
|   |          | Head                      | Balls   | Seat/Seal | Conn    | Rebuild     | Price  |
| <b>IX-C150__N-TB-U 39.6GPH 150PSI</b>   |          |                           |         |           |         |             |        |
| TC  | 3,000.00 | PVDF                      | Ceramic | FKM       | 3/4"NPT | IXC150TC-PK | 326.00 |
| TE  | 3,000.00 | PVDF                      | Ceramic | EPDM      | 3/4"NPT | IXC150TE-PK | 326.00 |
| S6  | 4,070.00 | 316SS                     | Ceramic | TFE       | 3/4"NPT | IXC150S6-PK | 681.00 |

**Notes:**

- 1) Pumps do not include foot valve or injector (Contact factory for help)
- 2) Pumps include input and output connectors
- 3) 230VAC US models, change "U" to "2"
- 4) Control module can be ordered in 6 configurations. Standard "TB" top back is shown, change to "TF" top front, "TR" top right, "TL" top left, "RF" right face or "LF" left face. See brochure for details, contact factory for help.

P.O. Box 8697, Brea, CA 92822-5697 ♦ Phone 714) 257-9165

266 Viking Ave., Brea, CA 92821 ♦ Fax 714) 257-9215

[www.gtpcompany.com](http://www.gtpcompany.com) ♦ [www.customerservice@gtpcompany.com](mailto:www.customerservice@gtpcompany.com)

# Walchem Pumps and Controllers

## "LK" Motor Driven Metering Pumps

| Liquid End | Price           | Materials of Construction |         |               |         |         |  | Rebuild       | Price |
|------------|-----------------|---------------------------|---------|---------------|---------|---------|--|---------------|-------|
|            |                 | Head                      | Balls   | Seat/Seal     | Conn    |         |  |               |       |
|            | <b>LKN32X-</b>  | <b>9.5GPH</b>             |         | <b>150PSI</b> |         |         |  |               |       |
| VC         | <b>1,547.00</b> | PVC                       | Ceramic | FKM           | 1/2MNPT | L3VC-PK |  | <b>119.00</b> |       |
| TC         | <b>2,007.00</b> | PVDF                      | Ceramic | FKM           | 1/2MNPT | L3TC-PK |  | <b>130.00</b> |       |
| S6         | <b>2,239.00</b> | 316SS                     | Hast C  | 316SS         | 1/2MNPT | L3S6-PK |  | <b>215.00</b> |       |
|            | <b>LKN45X-</b>  | <b>15.9GPH</b>            |         | <b>150PSI</b> |         |         |  |               |       |
| VC         | <b>1,728.00</b> | PVC                       | Ceramic | FKM           | 1/2MNPT | L4VC-PK |  | <b>159.00</b> |       |
| TC         | <b>2,232.00</b> | PVDF                      | Ceramic | FKM           | 1/2MNPT | L4TC-PK |  | <b>187.00</b> |       |
| S6         | <b>2,704.00</b> | 316SS                     | Hast C  | 316SS         | 1/2MNPT | L4S6-PK |  | <b>329.00</b> |       |
|            | <b>LKN47X-</b>  | <b>31.8GPH</b>            |         | <b>120PSI</b> |         |         |  |               |       |
| VC         | <b>1,728.00</b> | PVC                       | Ceramic | FKM           | 1/2MNPT | L4VC-PK |  | <b>159.00</b> |       |
| TC         | <b>2,232.00</b> | PVDF                      | Ceramic | FKM           | 1/2MNPT | L4TC-PK |  | <b>187.00</b> |       |
| S6         | <b>2,704.00</b> | 316SS                     | Hast C  | 316SS         | 1/2MNPT | L4S6-PK |  | <b>329.00</b> |       |
|            | <b>LKN55X-</b>  | <b>53.4GPH</b>            |         | <b>75PSI</b>  |         |         |  |               |       |
| VC         | <b>1,882.00</b> | PVC                       | Ceramic | FKM           | 1/2MNPT | L5VC-PK |  | <b>227.00</b> |       |
| TC         | <b>2,811.00</b> | PVDF                      | Ceramic | FKM           | 1/2MNPT | L5TC-PK |  | <b>295.00</b> |       |
| S6         | <b>2,993.00</b> | 316SS                     | Hast C  | 316SS         | 1/2MNPT | L5S6-PK |  | <b>431.00</b> |       |
|            | <b>LKN57X-</b>  | <b>114.3GPH</b>           |         | <b>45PSI</b>  |         |         |  |               |       |
| VC         | <b>1,882.00</b> | PVC                       | Ceramic | FKM           | 1/2MNPT | L5VC-PK |  | <b>227.00</b> |       |
| TC         | <b>2,811.00</b> | PVDF                      | Ceramic | FKM           | 1/2MNPT | L5TC-PK |  | <b>295.00</b> |       |
| S6         | <b>2,993.00</b> | 316SS                     | Hast C  | 316SS         | 1/2MNPT | L5S6-PK |  | <b>431.00</b> |       |

## "LK" Motor Options

| Code | Adder            | Description   |
|------|------------------|---|
| A    | N/C              | TEFC 115/230V, 60Hz, 1ph, 1/3HP, 1725RPM, 42C frame                     |
| B    | N/C              | TEFC 230/460V, 60Hz, 3ph, 1/3HP, 1725RPM, 42C frame                     |
| C    | <b>85.00</b>     | TEFC 190/380V, 230/460V, 50/60Hz, 3ph, 1/3HP, 1450/1725RPM, 42 frame    |
| D    | <b>1,344.00</b>  | Variable Speed, 115VAC/90VDC, DC/SCR, TENV, 1/3HP and speed controller  |
| E    | <b>1,344.00</b>  | Variable Speed, 230VAC/180VDC, DC/SCR, TENV, 1/3HP and speed controller |
| F    | <b>396.00</b>    | Explosion Proof 230/460V, 60Hz, 3ph, 1/3HP                              |
| G    | <b>396.00</b>    | Invertor duty, TENV, 230/460V, 60Hz, 3ph, 1/3HP                         |
| N    | <b>(-250.00)</b> | No Motor  |

### Notes:

- 1) All pumps come factory pre-wired with either 115V or 230V USA cords, or 250V Din plugs (please specify).
- 2) Pumps do not include foot valve or injection check valve (special order).
- 3) Pumps need to be installed with pressure relief valves.

## "LK" Pump Accessories

| Part      | Price         | Description                             |
|-----------|---------------|---|
| PR50-PVC  | <b>201.00</b> | Pressure relief valve, 1/2" FNPT, PVC   |
| PR50-PVDF | <b>420.00</b> | Pressure relief valve, 1/2" FNPT, PVDF  |
| PR50-S/S  | <b>468.00</b> | Pressure relief valve, 1/2" FNPT, 316SS |
| BP50-PVC  | <b>201.00</b> | Back pressure valve, 1/2" FNPT, PVC     |
| BP50-PVDF | <b>420.00</b> | Back pressure valve, 1/2" FNPT, PVDF    |
| BP50-S/S  | <b>468.00</b> | Back pressure valve, 1/2" FNPT, 316SS   |
| FV50-PVC  | <b>325.00</b> | Foot valve, 1/2" FNPT, PVC              |
| IQ50-PVC  | <b>137.00</b> | Injection quill, 1/2" MNPT, PVC         |
| IQ50-PVDF | <b>207.00</b> | Injection quill, 1/2" MNPT, PVDF        |
| IQ50-S/S  | <b>213.00</b> | Injection quill, 1/2" MNPT, 316SS       |

Note: More accessories available, contact factory for help.

P.O. Box 8697, Brea, CA 92822-5697 ♦ Phone 714) 257-9165

266 Viking Ave., Brea, CA 92821 ♦ Fax 714) 257-9215

[www.gtpcompany.com](http://www.gtpcompany.com) ♦ [www.customerservice@gtpcompany.com](mailto:www.customerservice@gtpcompany.com)



# Walchem Pumps and Controllers

## "WCT400" Cooling Tower Bleed & Feed Controllers

| Model                 | Price         | Description   |
|-----------------------|---------------|---|
| <b>WCT400</b>         | <b>662.00</b> | Digital cooling tower controller, Bleed and Feed                            |
| <b>VOLTAGE</b>        |               |   |
| 1                     | 29.00         | 115VAC prewired with power cord and receptacles                             |
| 5                     | N/C           | Hardwire conduit connections  |
| <b>OUTPUT</b>         |               |   |
| N                     | N/C           | No data output  |
| 4                     | 114.00        | 4-20mA isolated output  |
| <b>OPTIONS</b>        |               |   |
| N                     | (-100.00)     | No Electrode  |
| 1                     | N/C           | Graphite electrode and tee, 20FT cable (in-line or submersion)              |
| 2                     | 213.00        | Graphite electrode, tee and flow switch mounted on panel, 5FT cable         |
| 4                     | 549.00        | High pressure electrode, 300PSI   |
| 5                     | 1,119.00      | High pressure electrode and flow switch mounted on panel, 5FT cable         |
| 6                     | 55.00         | Stainless steel electrode and tee, 20FT cable                               |
| 7                     | 268.00        | Stainless steel electrode, tee and flow switch mounted on panel, 5FT cable  |
| <b>USB CONNECTION</b> |               |   |
| U                     | N/C           | Integrated data logging and configurable file import/export via flash stick |

Model Example: **WCT400-142U**

(Available in Dual Cooling Tower Model "WDT")

## "WCT410" Cooling Tower Controllers with Biocide Additions

| Model                 | Price         | Description   |
|-----------------------|---------------|---|
| <b>WCT410</b>         | <b>993.00</b> | Digital four relay cooling tower controller, Bleed, Feed and Biocide(s)     |
| <b>VOLTAGE</b>        |               |   |
| 1                     | 132.00        | 115VAC prewired with power cord and receptacles                             |
| 5                     | N/C           | Hardwire conduit connections  |
| <b>OUTPUT</b>         |               |   |
| N                     | N/C           | No data output  |
| 4                     | 114.00        | 4-20mA isolated output  |
| <b>OPTIONS</b>        |               |   |
| N                     | (-100.00)     | No Electrode  |
| 1                     | N/C           | Graphite electrode and tee, 20FT cable (in-line or submersion)              |
| 2                     | 213.00        | Graphite electrode, tee and flow switch mounted on panel, 5FT cable         |
| 2L                    | 180.00        | Graphite electrode, tee and flow switch (loose no panel) 20FT cable         |
| 4                     | 549.00        | High pressure electrode, 300PSI   |
| 5                     | 1,119.00      | High pressure electrode and flow switch mounted on panel, 5FT cable         |
| 6                     | 55.00         | Stainless steel electrode and tee, 20FT cable                               |
| 7                     | 268.00        | Stainless steel electrode, tee and flow switch mounted on panel, 5FT cable  |
| <b>USB CONNECTION</b> |               |   |
| U                     | N/C           | Integrated data logging and configurable file import/export via flash stick |

Model Example: **WCT410-1N1U**

(Available in Dual Cooling Tower Model "WDT410")

# Walchem Pumps and Controllers

Form 01300092 Rev A, Page 7 of 7

## "WBL400" Boiler Controllers

| Model                 | Price            | Description   |
|-----------------------|------------------|---|
| <b>WBL400</b>         | <b>1,090.00</b>  | Digital dual relay boiler controller, Bleed and Feed                        |
| <b>VOLTAGE</b>        |                  |   |
| <b>1</b>              | <b>29.00</b>     | 115VAC prewired with power cord and receptacles                             |
| <b>5</b>              | <b>N/C</b>       | Hardwire conduit connections  |
| <b>OUTPUT</b>         |                  |   |
| <b>N</b>              | <b>N/C</b>       | No data output  |
| <b>4</b>              | <b>114.00</b>    | 4-20mA isolated output  |
| <b>OPTIONS</b>        |                  |   |
| <b>5</b>              | <b>N/C</b>       | Standard boiler electrode (up to 250PSI)                                    |
| <b>N</b>              | <b>(-299.00)</b> | No electrode  |
| <b>USB CONNECTION</b> |                  |   |
| <b>U</b>              | <b>N/C</b>       | Integrated data logging and configurable file import/export via flash stick |

Model Example: **WBL400-4N5U**

(Available in Dual Boiler Model "WDB")

## "WPH410/420" pH/ORP Controllers

| Model                 | Price         | Description   |
|-----------------------|---------------|---|
| <b>WPH410</b>         | <b>728.00</b> | pH/ORP controller, On/Off outputs   |
| <b>WPH420</b>         | <b>757.00</b> | pH/ORP controller, proportional outputs                                     |
| <b>VOLTAGE</b>        |               |   |
| <b>1</b>              | <b>59.00</b>  | 115VAC prewired with power cord and receptacles                             |
| <b>3</b>              | <b>108.00</b> | 115VAC prewired with power cord and proportional cable connectors           |
| <b>5</b>              | <b>N/C</b>    | Hardwire conduit connections  |
| <b>OUTPUT</b>         |               |   |
| <b>N</b>              | <b>N/C</b>    | No data output  |
| <b>4</b>              | <b>114.00</b> | Single 4-20mA isolated output   |
| <b>2</b>              | <b>228.00</b> | Dual 4-20mA isolated output   |
| <b>OPTIONS</b>        |               |   |
| <b>N</b>              | <b>N/C</b>    | No Electrode  |
| <b>1</b>              | <b>184.00</b> | Preamplifier, 10FT cable, prewired  |
| <b>2</b>              | <b>375.00</b> | Submersible flat pH electrode, preamp, 20FT cable and no temp comp.         |
| <b>3</b>              | <b>441.00</b> | In-Line flat pH electrode, preamp, 20FT cable, tee and no temp comp         |
| <b>4</b>              | <b>831.00</b> | In-Line flat pH electrode, preamp and flow switch mounted on panel          |
| <b>4T</b>             | <b>878.00</b> | In-Line flat pH electrode with ATC, preamp, flow switch mounted on panel    |
| <b>5</b>              | <b>402.00</b> | Submersible flat ORP electrode, preamp, 20FT cable                          |
| <b>6</b>              | <b>468.00</b> | In-Line flat ORP electrode, preamp, 20FT cable                              |
| <b>6R</b>             | <b>502.00</b> | In-Line rod style ORP electrode, preamp, 20FT cable                         |
| <b>7</b>              | <b>858.00</b> | In-Line flat ORP electrode, preamp and flow switch mounted on panel         |
| <b>7R</b>             | <b>891.00</b> | In-Line rod style ORP electrode, preamp and flow switch mounted on panel    |
| <b>USB CONNECTION</b> |               |   |
| <b>U</b>              | <b>N/C</b>    | Integrated data logging and configurable file import/export via flash stick |

Model Example: **WPH410-1N2U**

(Available in Dual pH/ORP Model "WDP")

P.O. Box 8697, Brea, CA 92822-5697 ♦ Phone 714) 257-9165

266 Viking Ave., Brea, CA 92821 ♦ Fax 714) 257-9215

[www.gtpcompany.com](http://www.gtpcompany.com) ♦ [www.customerservice@gtpcompany.com](mailto:www.customerservice@gtpcompany.com)