

GTP "Moto G" Valves

MOTORIZED BALL VALVES

Specification 01600090 Rev. A

Written: November 2011

Page 1 of 1



★ 1.0 DESCRIPTION

1.1 "MGV" MOTO-G VALVES: GTP Motorized Ball Valves shall be of fail safe (normally closed), compact design, 2 wire motorized ball valves with a low consumption power supply. Complete with 3ft power cord, valve, motor/enclosure and mounting hardware.

★ 2.0 MATERIALS

2.1 MOTOR/ENCLOSURE: Motor shall be fail safe design, manual override and have valve position indicator. Enclosure shall be IP67 (NEMA 4) and be compact design to save space. 5-7 second cycle, 70,000 to 100,000 cycles, 5 watt, 120VAC / 1 phase / 50-60 Hertz

230VAC / 1 phase / 50-60 hertz

2.2 VALVE: Shall be reduced or full port valves with floating seals to maximize valve life. Brass & Stainless Steel rated 200PSI Max Pressure and 200°F Max Temperature, CPVC rated 100PSI Max Pressure and 120°F Max Temperature.

Valve Sizes:

"02" 1/4" FNPT

"05" 1/2" FNPT

"07" 3/4" FNPT

"10" 1" FNPT

Valve materials:

"B" Brass, Chrome Plated

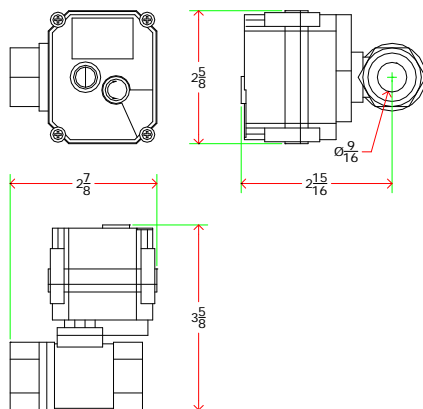
"P" CPVC

"S" 316 Stainless Steel

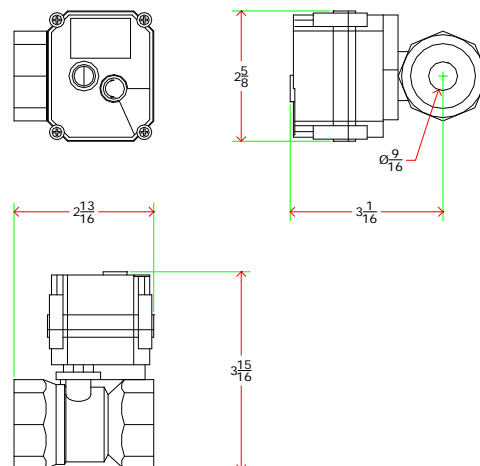
★ 3.0 WARRANTY: General Treatment Products Moto-G Valves are guaranteed for one year from date of shipment against manufacturing defects in material and workmanship which develop in the service for which they are designed. We will repair or replace a defective part of this system when returned to our factory with freight prepaid; providing that the part is found to be defective upon inspection. We assume no liability for labor and/or other expenses in making repairs or adjustments.

★ 4.0 DRAWING, DIMENSIONS & WEIGHTS: Model shown in drawing is "MVG07". Dimensions are +/- 1/8". Weights are approximate (See pricing for details)

3/4" Brass & Stainless Valves



3/4" CPVC Valves



P.O. Box 8697, Brea, CA 92822-5697 ♦ Phone: 714) 257-9165
113 Viking Ave., Brea, CA 92821 ♦ Fax: 714) 257-9215

www.gtpcompany.com ♦ customerservice@gtpcompany.com